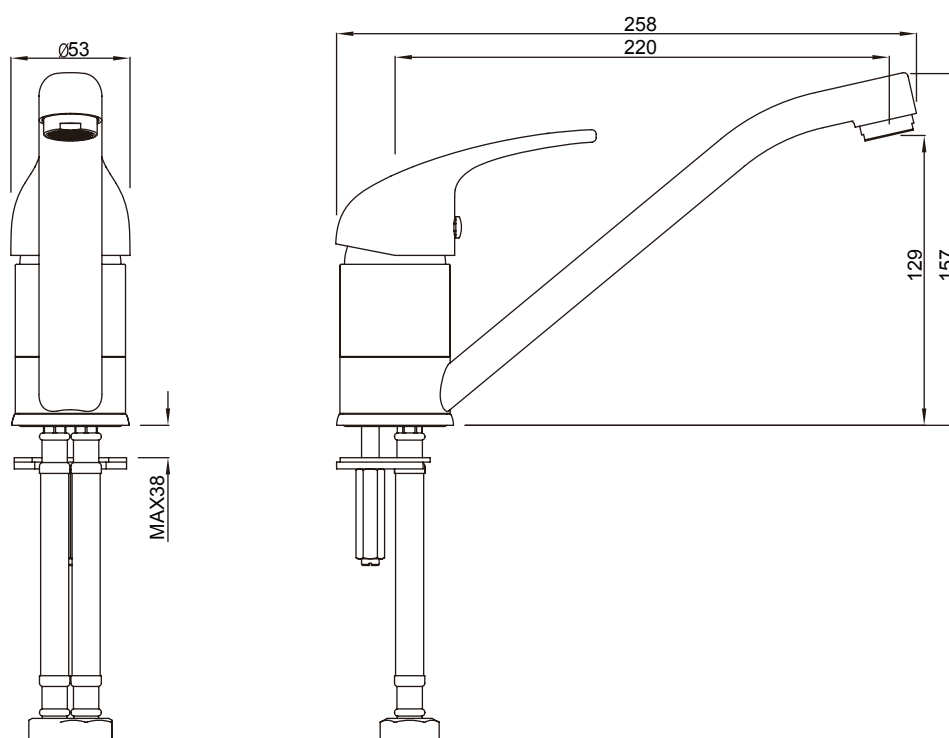


BASE MK2

SINK MIXER



SPECIFICATIONS

Recommended use	Domestic, hotel and commercial
Colour availability	Chrome
Pressure rating	Maximum continuous operating pressure 1000 kPa. Note: For best performance and longer life we recommend 150-500 kPa. Hot and cold water inlet pressure should be equal.
Temperature rating	Maximum continuous working temperature 80°
Water Efficiency	4 Stars. Flow Rate 7.5 L/min 6 Stars. Flow Rate 4.5L/min
Suitable Hot Water Units	Storage Tank: Yes Continuous Flow: Yes Gravity Feed: Not suitable
Standards	AS/NZS 3718



CLEANING RECOMMENDATIONS

We recommend the use of soapy water or approved cleaners. This product should not be cleaned with abrasive materials. Damage caused by any improper treatment is not covered by the product warranty - refer to Warranty Conditions on the last page.