

Roca In-Wash Inspira In-Tank Wall Hung Toilet Suite White with L Frame (4 Star)

9512428

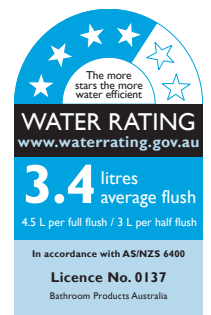
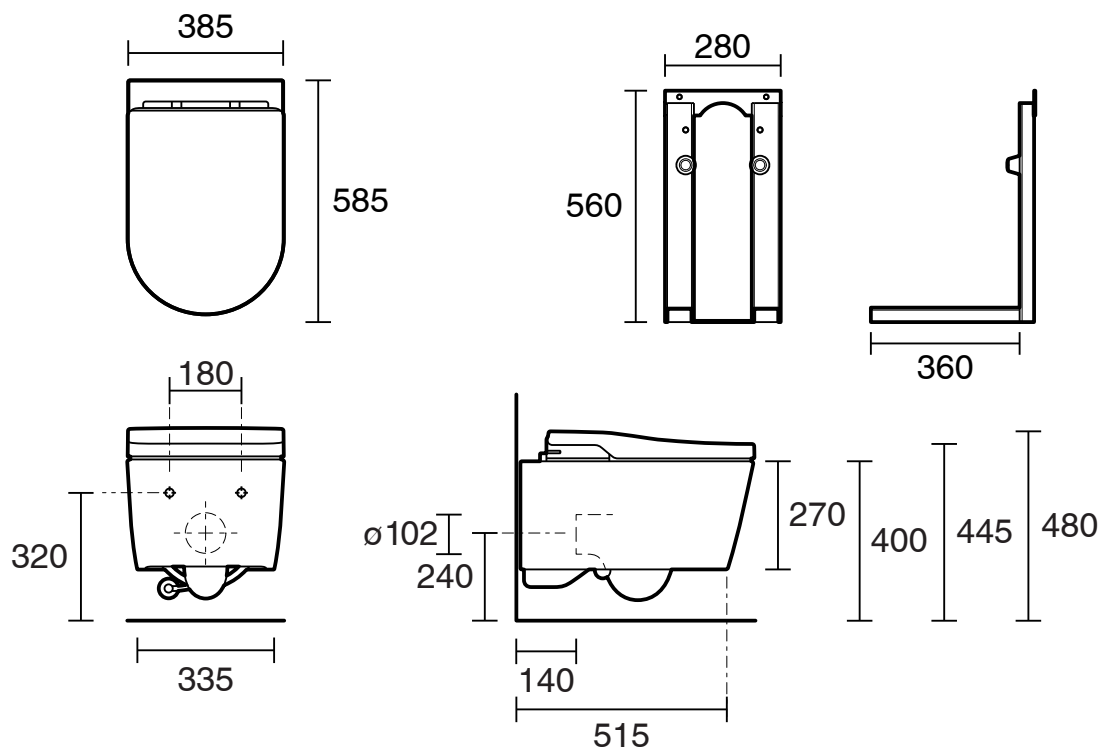
SPECIFICATIONS

Recommended Use	Domestic, Hotel & Commercial
Pan Material	Vitreous China
Toilet Seat Material	Polypropylene (Seat) & Melamine (Lid)
Weight of Pan	36.5 kg
Water Inlet Position	Bottom Inlet (Reversible right or left)
Toilet Seat Type	Soft Close Quick Release
Rim Configuration	Rimless
Outlet Type	P Trap

WARRANTY

Warranty - Domestic Use	15 Years
Spare Parts & Labour	12 Months

Please refer to Warranty Page for full Terms and Conditions



Dimensions are nominal measurements only.

CLEANING RECOMMENDATIONS:

We recommend the use of soapy water or approved cleaners. This product should not be cleaned with abrasive materials. Damage caused by any improper treatment is not covered by the product warranty. Refer to Warranty Conditions

Disclaimer: Products in this specification manual must by regulation be installed by licensed and registered trade people. The manufacturer/distributor reserves the right to vary specifications or delete models from their range without prior notification. Dimensions are nominal measurements only. Dimensions and set-outs listed are correct at time of publication however the manufacturer/distributor takes no responsibility for printing errors.

Published 19/07/2024

To see the complete Roca range go to www.reece.com.au/bathrooms

