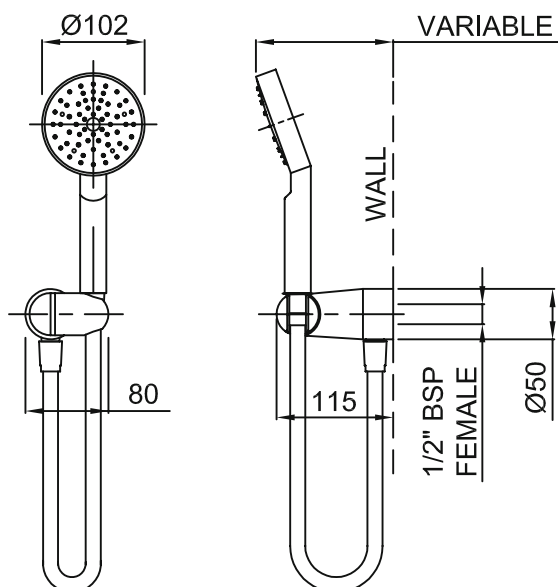


POSH

MKII SOLUS 1 FUNCTION HAND SHOWER



SPECIFICATIONS

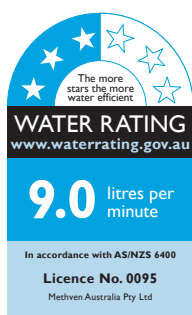
Recommended use	Domestic, hotel and commercial
Colour availability	Chrome
Pressure rating	Suitable for high pressure applications and has been WELS certified to the following: Minimum operating pressure 1.5 bar (150kPa) Minimum operating pressure 5 bar (500kPa)
Temperature rating	Maximum hot temperature 60°C (recommended 42°C) Minimum temperature 1°C
WELS	Stars: 3 Flow rate: 9L p/min
Standards	AS 3662:2005 Level 2



To see the complete Posh range go to www.reece.com.au/bathrooms

CLEANING RECOMMENDATIONS

This product should not be cleaned with abrasive materials eg. steel wool/scourers. Do not use any corrosive or abrasive cleaning agents containing acids or scouring agents. Bleaches can also discolour products and therefore should not be used. Damage caused by any improper treatment is not covered by the product warranty – refer to Warranty Conditions.



Disclaimer: Products in this specification manual must by regulation be installed by licensed and registered trade people. The manufacturer/distributor reserves the right to vary specifications or delete models from their range without prior notification. Dimensions and set-outs listed are correct at time of publication however the manufacturer/distributor takes no responsibility for printing errors.

Tech Page Version 2

Posh

reece

POSH

MKII SOLUS 1 FUNCTION HAND SHOWER

INSTALLATION INSTRUCTIONS

IMPORTANT

Please Note:

1. Some showers may not provide an effective shower when used with gravity fed heated water systems or where pressures are less than 150kPa at the outlet. Additionally showers with flow rates of less than 9L/min may not allow the following to function correctly:
 - some instantaneous water heaters
 - some tempering valves
 - some thermostatic mixing valves
2. Some shower heads only operate correctly when hot and cold water supplies are both mains pressure and may not be suitable for some instantaneous hot water services.

INSTALLATION

The tools you will need: adjustable spanner.

1. Unscrew your old shower anti-clockwise.
2. Clean the exposed thread and bind clockwise with thread sealing tape.
3. Fit the elbow to the wall. Tighten only by hand.
4. Ensure that the elbow is vertical so that the hose hangs straight down.
5. Fit the handshower bracket (where provided) at a suitable height and position.
6. Connect the hose and handset using the washers supplied. Hand tighten only.