



Milli Pure Wall Bath Outlet 250mm

SPECIFICATIONS

| | |
|--|---|
| Recommended Use | Domestic, Commercial, Hotel |
| Colour | Chrome, Matte Black, Brushed Nickel, Brushed Gunmetal |
| Recommended Pressure Range | 300 - 500Kpa |
| Max Continuous Working Pressure | 500Kpa |
| Max Continuous Working Temperature | 65 deg. C |
| Suitable for Storage Tank Hot Water | Yes |
| Suitable for Continuous Flow Hot Water | Yes |
| Suitable for Gravity Feed Hot Water | No |

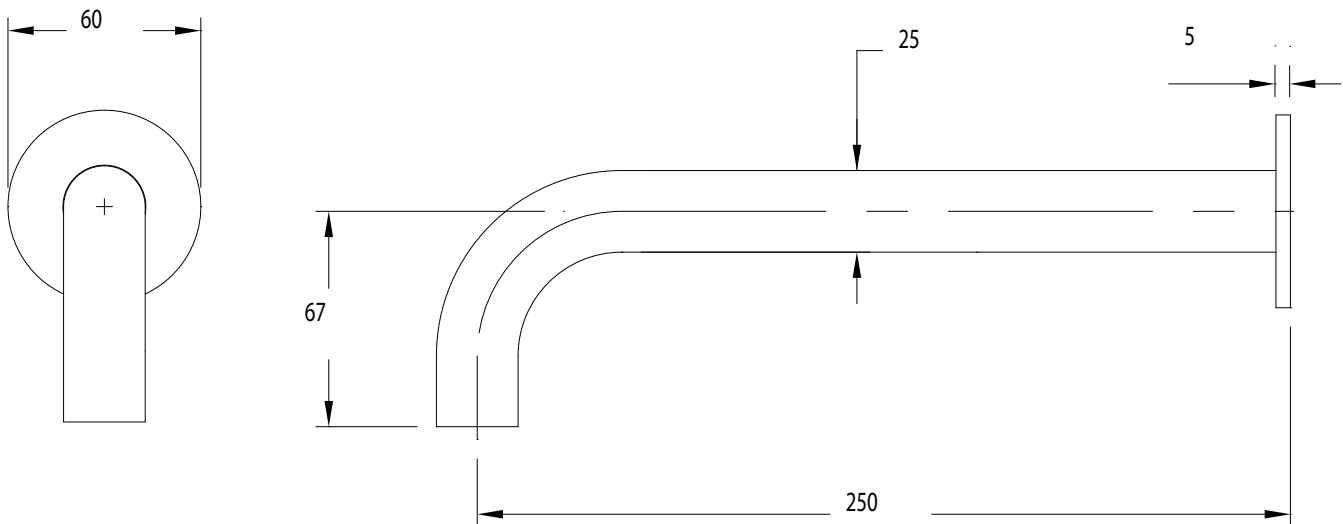
WARRANTY

| | |
|-------------------------|----------|
| Warranty - Domestic Use | 15 Years |
| Spare Parts | 3 Years |
| Labour | 1 Year |
| Finish | 1 Year |

Please refer to Warranty Page for full Terms and Conditions



To see the complete Milli range go to www.reece.com.au/bathrooms



Dimensions are nominal measurements only.

Disclaimer: Products in this specification manual must by regulation be installed by licensed and registered trade people. The manufacturer/distributor reserves the right to vary specifications or delete models from their range without prior notification. Dimensions are nominal measurements only. Dimensions and set-outs listed are correct at time of publication however the manufacturer/distributor takes no responsibility for printing errors.

Published 31/01/2019



AS/NZS 3718
LIC. 20081

