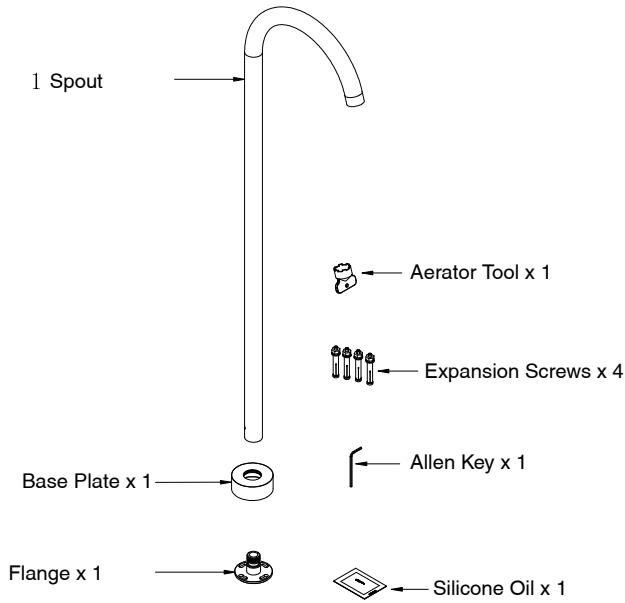
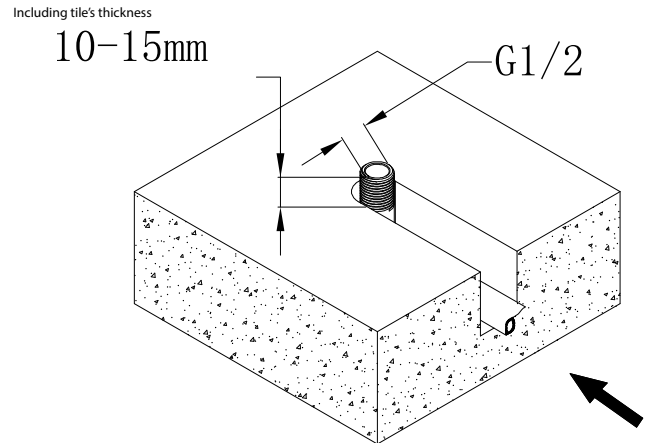


Mizu Drift MK2 Floor Mount Bath Outlet

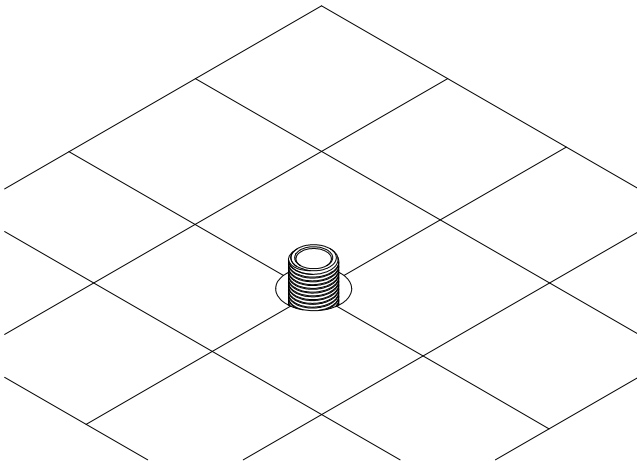
1. To check all components are completed.



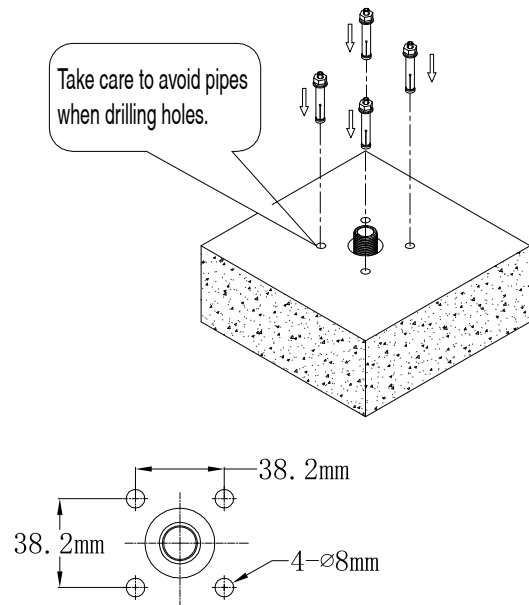
2. Cut a slot and bury a pipe in the floor, make sure the G1/2 connector exceeds floor of 10-15mm. (Including tile's thickness.)



3. Tile the floor.



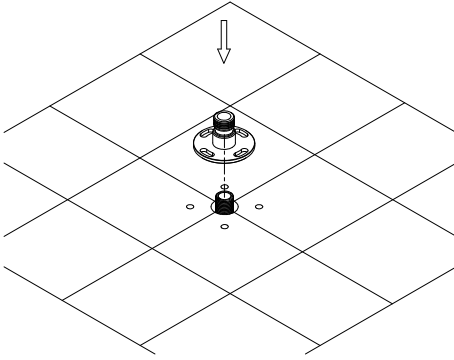
4. According to diagram below, drill 4 holes of 8mm on the ground. Then fit the expansion screws into the holes.



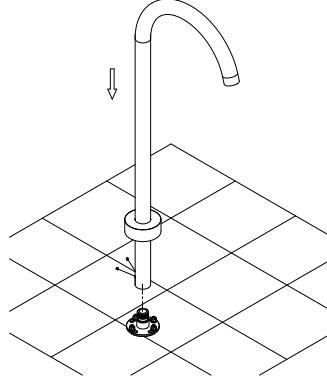
Please ensure a copy of the installation instructions is left with the end user for future reference.

Mizu Drift MK2 Floor Mount Bath Outlet

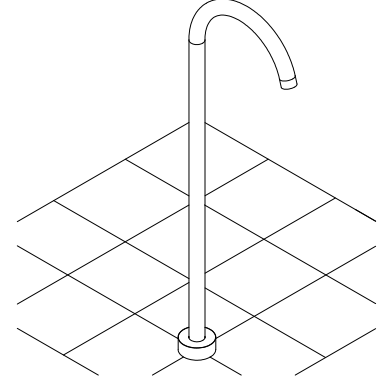
5. Install the flange.



6. Insert the spout through the base plate. Grease the flange connector with silicone oil and then secure the spout onto the flange.



7. Installation complete.



Please ensure a copy of the installation instructions is left with the end user for future reference.