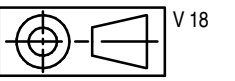


FASCO MOTORS MAY PROVIDE TECHNICAL ASSISTANCE TO OUR CUSTOMERS IN MANY AREAS. HOWEVER, SINCE FASCO MOTOR IS NOT AWARE OF ALL DATA CONCERNING THE USE AND APPLICATION OF THIS MOTOR, THE FITNESS OF THE MOTOR FOR THE APPLICATION MUST BE DETERMINED BY AND IS THE RESPONSIBILITY OF THE CUSTOMER.



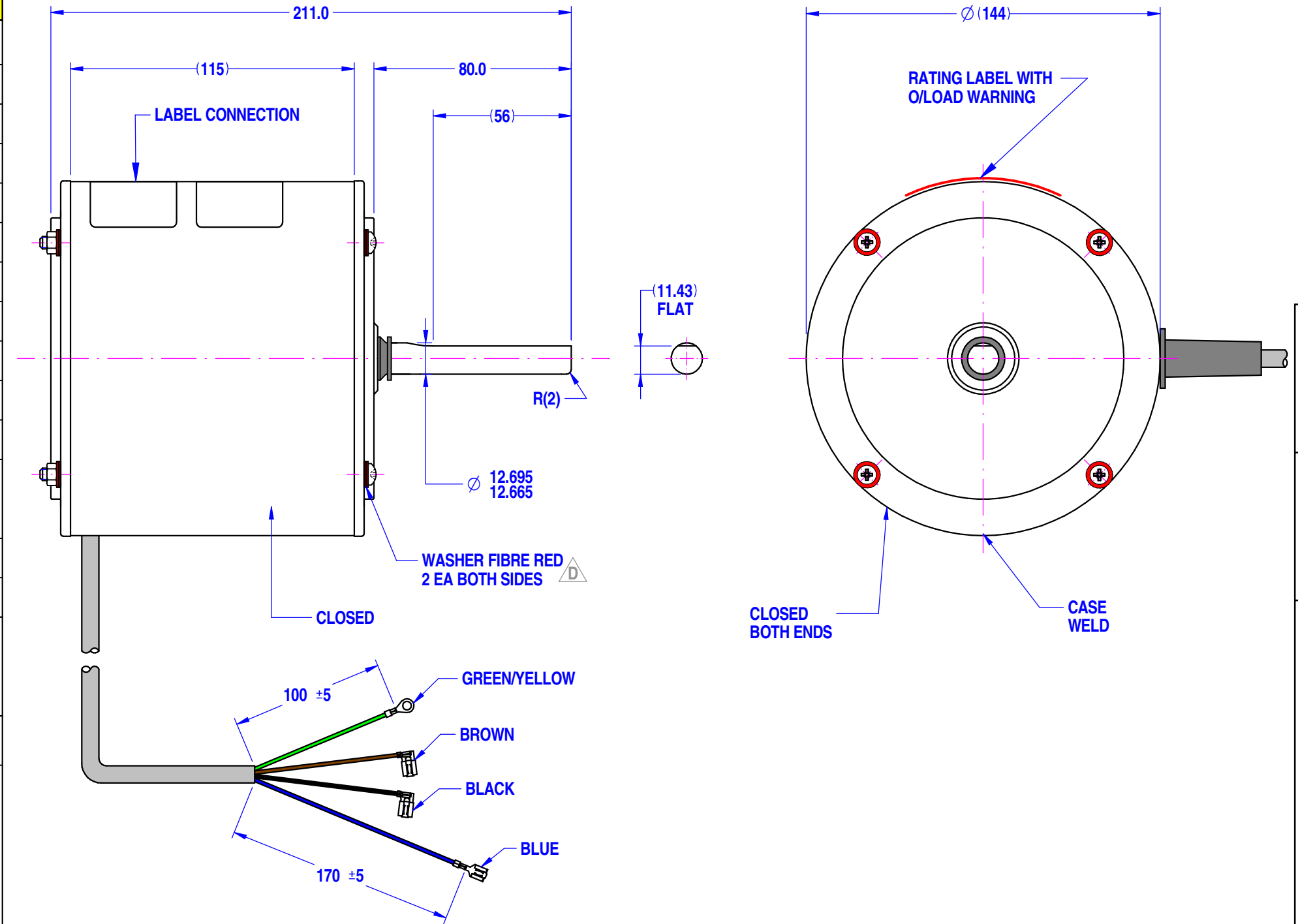
**MOTOR SPECIFICATION**

FINAL INSPECTED MOTORS MUST COMPLY WITH ELECTRIC MOTOR VIBRATION SPECIFICATION (ES049)

THIRD ANGLE PROJECTION

**8061S009-06S**

Q.R. No.	-	CUSTOMER NO.	-
CUSTOMER	VARIOS		
MOTOR RATING	VOLTS	240	Hz 50 Ph 1 Duty AOM
	RPM.	915	2.65 AMPS
	NOM. OUTPUT	250 WATTS	
ROTATION	CLOCKWISE AT DRIVE END		
CAPACITOR	START	-----	μF/V RUN 6/440 μF/V
ENCLOSURE	TOTALLY ENCLOSED		
MOTOR TYPE	CSR	INSULATION CLASS	B130
THERMAL PROTECTION	AUTO RESET OVERLOAD		
APPLICATION	FAN - SHAFT HORIZONTAL		
BEARING D.E.	6202 ZZ	LUBRICATION	LONG LIFE, WIDE RANGE
BEARING N.D.E.	6202 ZZ		
SUPPLY LEAD	FLEX 1500 ± 30 GREY		
EARTH PROVISION	VIA SUPPLIED LEAD		
BASIC BUILD SPECIFICATION	305-570-05	PAINT/ COLOUR	PC GREYCASE PLAIN E/SHIELDS
PERFORMANCE SPECIFICATION	SP85049-02		
CONNECTION DIAGRAM	393-072	RATING LABEL	SSTDAUTO.FMT



DESIGNED AND MANUFACTURED TO AUSTRALIAN STANDARDS & SPECIFICATIONS

MODEL	8061S009-06S
-------	--------------

VOLTS 240	R.P.M. 915	CLASS B130	Hz 50
WATTS 250	TYPE CSR	μF/V S NIL	Ph 1
AMPS 2.6	DUTY AOM	μF/V R 6/440	PROT. AUTO

**WARNING**

MOTOR FITTED WITH INTERNAL AUTO RESET OVERLOAD AND MAY RESTART WITHOUT WARNING

**SPECIAL REQUIREMENTS:**

- 1)\_ "V" SEAL TO BE FITTED TO SHAFT.
- 2)\_ TIE RODS TO BE ASSEMBLED WITH RED FIBRE WASHERS.
- 3)\_ CAPACITOR SUPPLIED LOOSE WITH MOTOR.
- 4)\_ MOTOR TO BE PACKED IN SINGLE CARTON.

UNLESS OTHERWISE SPECIFIED : DIMENSIONS ARE IN MM. TOLERANCES

DECIMALS	ANGULAR
.X ± 1.0	± 30'
.XX ± 0.1	

THIS DRAWING REMAINS THE PROPERTY OF FASCO MOTORS AND MAY NOT BE USED, COPIED OR ISSUED WITHOUT WRITTEN PERMISSION FROM FASCO MOTORS

MOTOR WEIGHT	7.0 kg.	
DRAWN	muntana	12/07/2006
CHECKED	Pipat	27/10/2018
RELEASED	Kanapote	01/11/2018
SCALE	N.T.S.	

**FASCO THAILAND**  
29/7-8 MOO 3, BANGKRUAY - SAINOI Rd., BANGKRANG, MUANG NONTABURI DISTRICT, NONTABURI 11000 THAILAND

FRAME	MOTOR	
STATUS	R	
SHEET	B049:8556T-250-XAD	
A3	DWG. NO.	8061S009-06S
	REVISION	E