



WOLFEN[™]

INSTALLATION MANUAL

252958 Wolfen Knee Operated Valve

252959 Wolfen Knee Operated Kit with Outlet





WOLFEN™

CONTENTS

Intro	03
Technical Information	04
Unit Components	06
Installation Instructions	08
Warranty	10

Delivering unrivalled quality

Designed for absolute performance, Wolfen's commercial knee operated kit sets new standards in quality and durability. Ergonomic design combined with precision engineering ensures that every Wolfen product is easy-to-use and made to last. Here are just some of the many innovative features that make the Wolfen knee operated kit the smart solution.

Infection control features

- 15 second timed flow run time complies with food preparation regulations

Installation and servicing

- Run time adjustment available

Usage features

- Soft spring for easy use
- 0-55 second adjustable run time

Application

- Commercial food premises



Suitable for High Pressure applications
(minimum 150kPa)

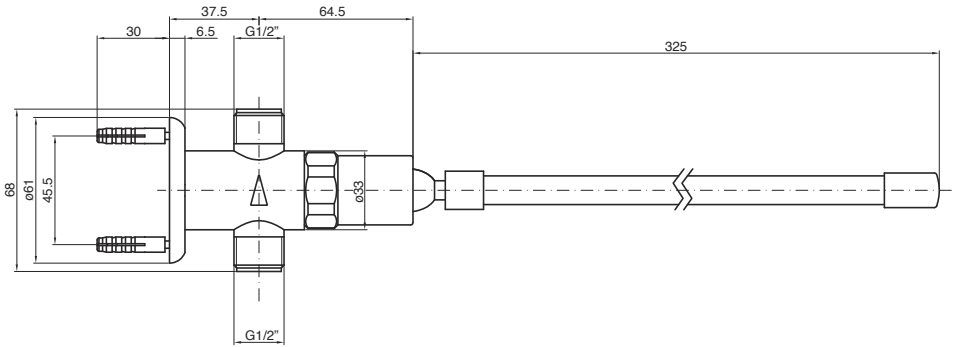
TECHNICAL INFORMATION

Model	Knee Operated Valve	Knee Operated Kit with Outlet
Product Code	252958	252959
Product Type	Knee valve	Knee valve kits
Colour	Chrome	Chrome
Finish	Polished	Polished
Material	Brass	Brass
Cartridge Type	Timed flow	Timed flow
Min Continuous Flow Working Pressure	150kPa	150kPa
Max Continuous Flow Working Pressure	500kPa	500kPa
Min Continuous Working Temperature	5°C	5°C
Max Continuous Working Temperature	50°C	50°C
Max Static Pressure	500kPa	500kPa
Height	N/R	140mm
Clearance	N/R	60.8mm
Reach	N/R	114mm



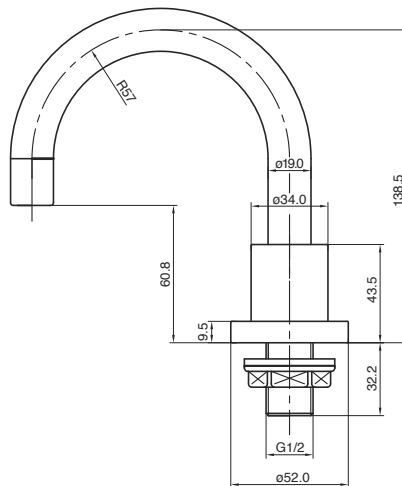
Wolfen Knee Operated Valve

252958



Wolfen Knee Operated Valve Kit with Outlet

252959



UNIT COMPONENTS

Wolfen Knee Operated Valve

No.	Description	Qty
01	Headvalve Holder	1
02	Plastic Lever	1
03	Disk	1
04	Spring	1
05	Knob	1
06	Spring	1
07	Headvalve	1
08	Gasket for Headvalve	1
09	O-Ring for Headvalve	1
10	Crown Ring	1
11	Stem	1
12	O-Ring for Stem	1
13	Stopper	1
14	Gasket for Stopper	1
15	Cup	1
16	Valve Body	1
17	Flow Control	1
18	Filter	1
19	Fixing Screws	2
20	Flange	1
21	Nogs	2



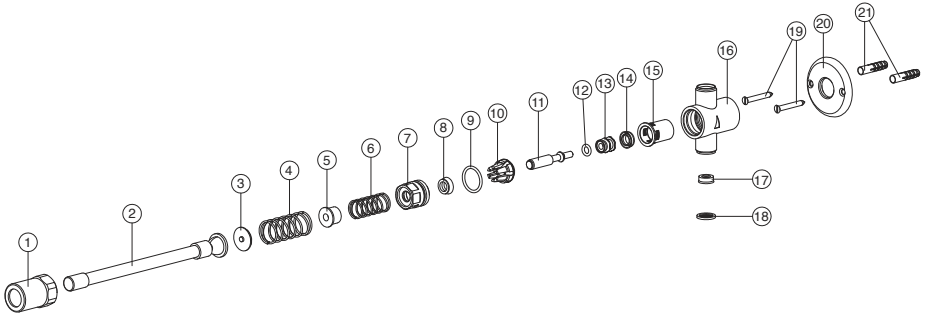
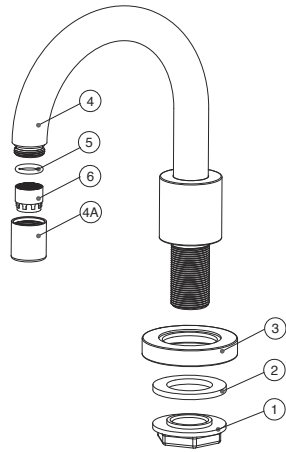
Wolfen Knee Operated Valve Kit Outlet

No.	Code	Description	Qty
01	93791	1/2 Nut	1
02	97364	Ø 40X Ø 25 X 3 Rubber	1
03	397-1	Dress Ring	1
04	83060296	Outlet	1
05	76F-3	Ø 15.2 X 2.2 O Ring	1
06	90253	Aerator-5. OI/Min	1



Wolfen Knee Operated Valve

252958


Wolfen Knee Operated Valve Kit Outlet


INSTALLATION INSTRUCTIONS

Important Note

The product must be installed to the requirements of AS/NZS 3500 by a qualified plumber. The product comes to you already factory assembled and tested. We do not recommend the dismantling of any internal part of the product. The product is factory tested and sealed so as to give the best performance.

Knee Valve Installation Instructions:

1. Please flush out new pipe work prior to connecting the knee valve.
2. The product should be installed with isolating stop cocks (Arco brand recommended).
3. This tap is suitable for high pressure applications where cold water supply pressures are at a minimum of 150kPa and maximum of 500kPa.

Connect water to the inlet and outlet:

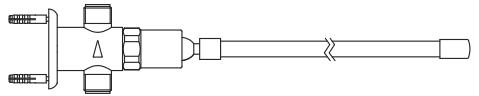


Figure 1

Mounting the knee valve to the wall:

1. Screw on the knee valve body (16) to the flange (20).
2. Use the 2 holes on the flange (20) to mount the knee valve to the wall.

Figure 2



3. Screw the flange and knee valve into place using the necessary screws to mount firmly onto the wall.

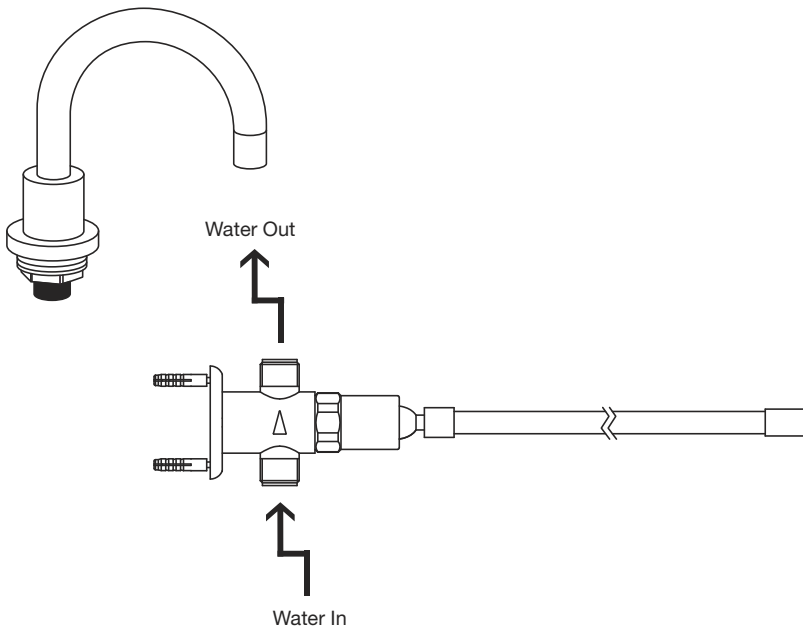
IMPORTANT NOTE: The water connection to the knee valve must be flushed of any debris before connecting the water supply to the knee valve.

How to adjust timing via the flow cup:

Use an open-ended spanner, grip firmly and turn anti-clockwise. Remove the plastic cup and replace the part with a fixed cup for the new time setting.

Outlet Installation Instructions

1. Allow for a 25mm hole for the water outlet.
2. Remove the back nut and washers from the outlet.
3. Push the 15mm thread through the basin/sink then fix the back nut and washers in place.
4. Connect the flexible hose fitting to the water outlet.
5. Connect the water supply to operate.



REECE PRODUCT QUALITY GUARANTEE



You have purchased a quality product from Reece Australia Pty Ltd ABN 84 004 097 090 ("Reece"). This product is covered by a 5 year replacement product warranty and a 12 month warranty over spare parts and labour.

5 YEAR WARRANTY

This warranty covers faults in the product construction, material and assembly. Products which are within 5 years from the date of purchase, found upon inspection by an authorised Reece representative, to be defective in construction, material or assembly, will be repaired or exchanged with an equivalent product free of charge. Replaced items become Reece's property.

All replacement products will be available for collection without charge to the customer at the nearest Reece branch to the customer's location, or elsewhere as agreed between the customer and Reece.

Labour and Spare Parts

The labour for the replacement of products and spare parts to which this warranty applies will be supplied by Reece or relevant supplier using licensed plumbers engaged by Reece or relevant supplier within 1 year from the date of purchase. Spare parts other than those listed in the Manufacturer's Provisions above, which are within 1 year from the date of purchase found upon inspection by an authorised Reece representative to be defective in construction, material or assembly, will be replaced free of charge.

Warranty Conditions

This warranty will apply only under all of the following conditions:

- The item has been installed by a licensed plumber
- Failure is due to a fault in the manufacture of the product
- Proof of purchase (including the date of purchase) is provided
- The installation of the product is in accordance with the instructions provided

This warranty does not cover products purchased as an ex-display without being fully checked and tested for sale by the manufacturer.

This warranty does not include faults caused by:

- Unsuitable or improper use
- Incorrect installation or installation not in accordance with the instructions provided
- Installation or part installation by the purchaser or any person other than a LICENSED PLUMBER
- Normal wear and tear
- Inadequate or complete lack of maintenance
- Chemical, electrochemical or electrical influences
- Harsh detergents or abrasive cleaners used on product finishes

EXCLUSIONS

To the fullest extent permitted by law, Reece excludes all liability for damage or injury to any person, damage to any property, and any indirect consequential or other loss or damage.

CLAIM PROCEDURE

For all warranty queries customers are to contact the branch where the product was purchased. These details can be found on your purchase invoice.

Our goods come with guarantees that cannot be excluded under the Australian Consumer Law. You are entitled to a replacement or refund for a major failure and for compensation for any other reasonably foreseeable loss or damage. You are also entitled to have the goods repaired or replaced if the goods fail to be of acceptable quality and the failure does not amount to a major failure.

Don't risk it, use a licensed plumber.™

IF AFTER CHECKING THE
INSTALLATION INSTRUCTIONS
AND IMPORTANT
INFORMATION, THE PROBLEM
HAS NOT BEEN IDENTIFIED,
PLEASE CONTACT GENTEC
CUSTOMER SUPPORT ON:

+61 2 9211 4422 or
info@gentecaustralia.com.au



WOLFEN™

reece.com.au/wolfen