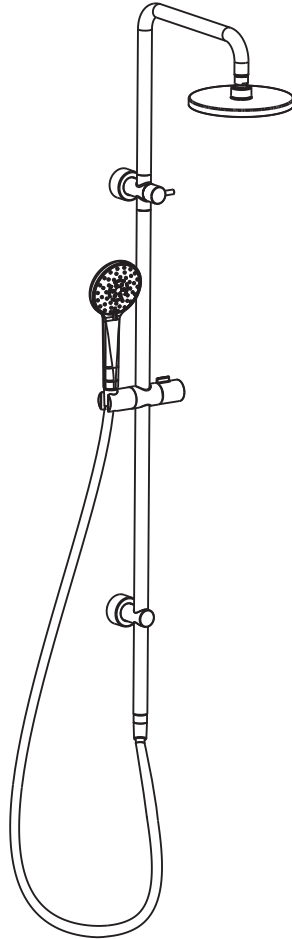


Posh Bristol Mk2 Twin Rail Shower (3 Star)



Prior To Installation



The Posh Bristol Twin Rail Shower must be installed to the requirements of AS/NZS 3500.1 by a qualified plumber. It comes to you already factory assembled and tested. We do not recommend the dismantling of any internal part of the product. The Posh Bristol Twin Shower is tested and sealed so as to give the best performance. Exercise care when installing to avoid damage to fitted flow controller. Back flow prevention device fitted for hand held shower.



Where water pressure exceeds 500Kpa, a pressure limiting device must be fitted as per requirement in AS/NZS 3500.1



This shower may not be suitable for use with gravity-fed water heaters, low and unequal pressure supply networks, instantaneous water heaters, tempering valves and thermostatic mixing valves.



Recommended pressure range 150 – 500KPa.

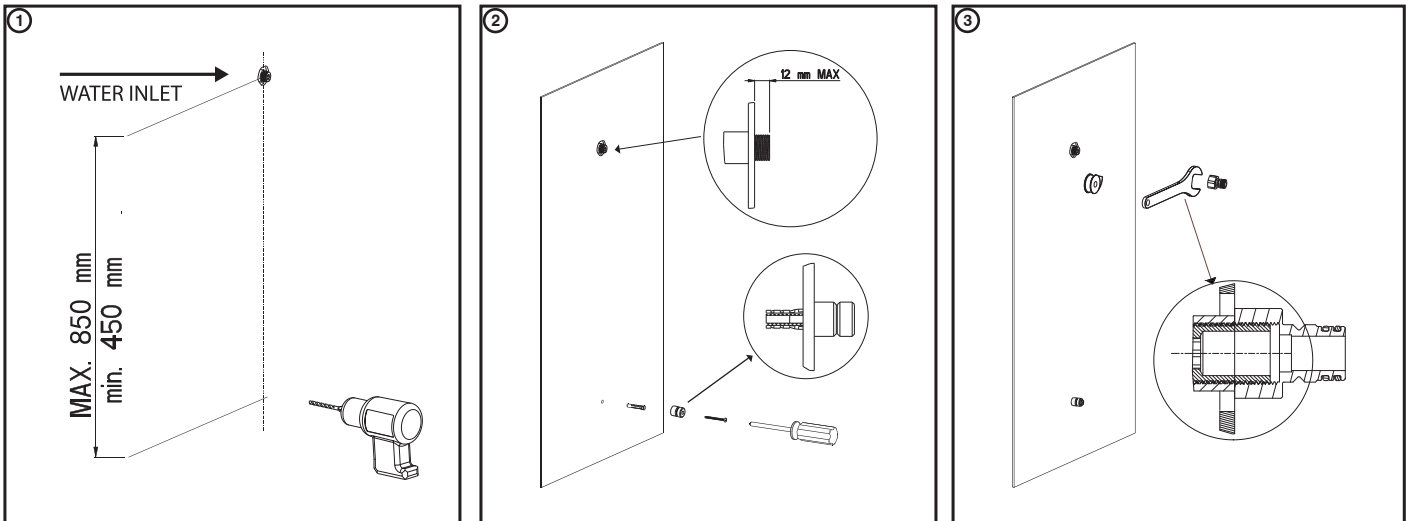


Max Continuous Working Pressure 500 Kpa.
Max Continuous Working temperature 60 Deg.

Note: Please consider height of water inlet point at rough in stage. Recommended height is 1800mm from finished floor. Although consider end user requirement.

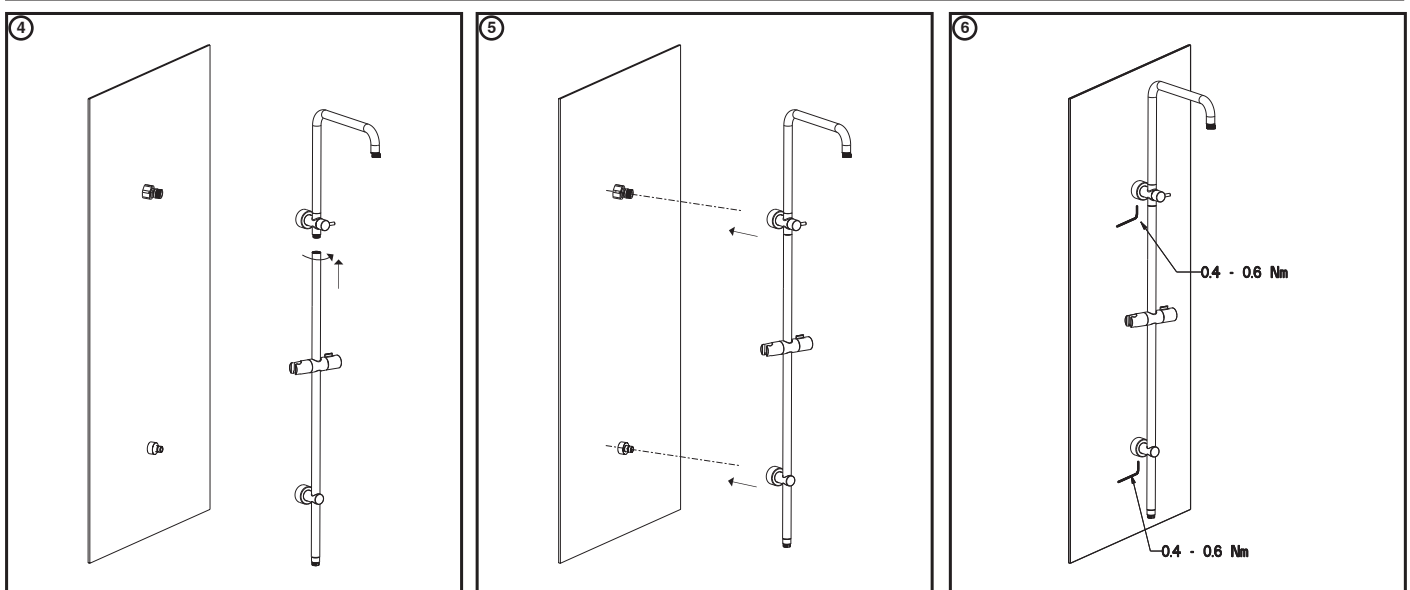
Posh Bristol Mk2 Twin Rail Shower (3 Star)

Installation



Do not overtighten threaded connections

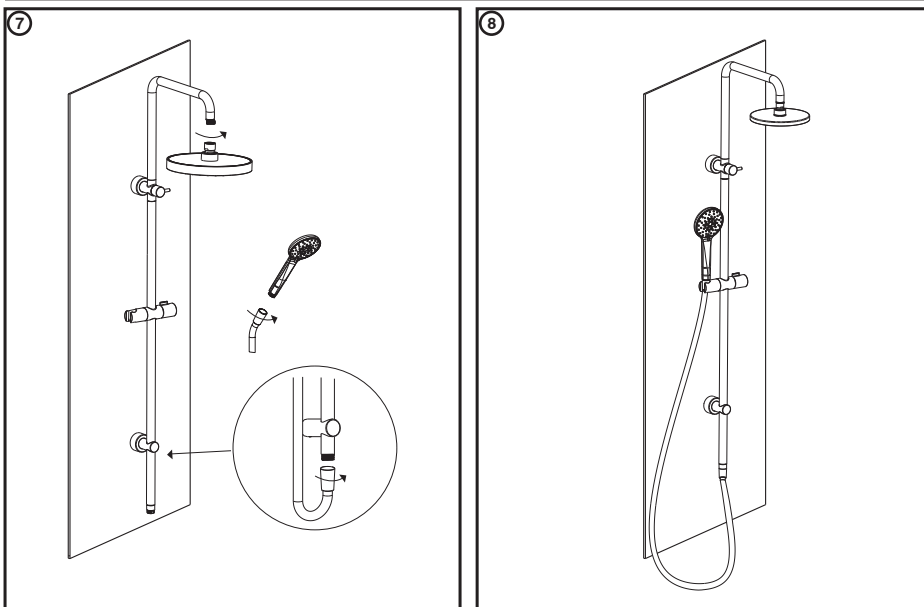
1. Drill a hole for bottom bracket, ensure it is vertically in line with the water inlet /diverter and distance between water inlet is 450mm to 850mm.
2. Check water inlet male thread is 12mm max.
3. Insert the expansion plug, connect nut and screw into the bottom hole.
4. Screw inlet nut into water inlet, apply thread seal tape to ensure a good seal.



5. Connect the low rail to water inlet/diverter via the threaded fitting. An extra washer is in the accessory bag for future exchange.
6. Fix the shower system to the wall.
7. Secure in place by tightening 2 allen key grub screws at rear of female water inlet nut and bottom bracket.

Posh Bristol Mk2 Twin Rail Shower (3 Star)

Installation

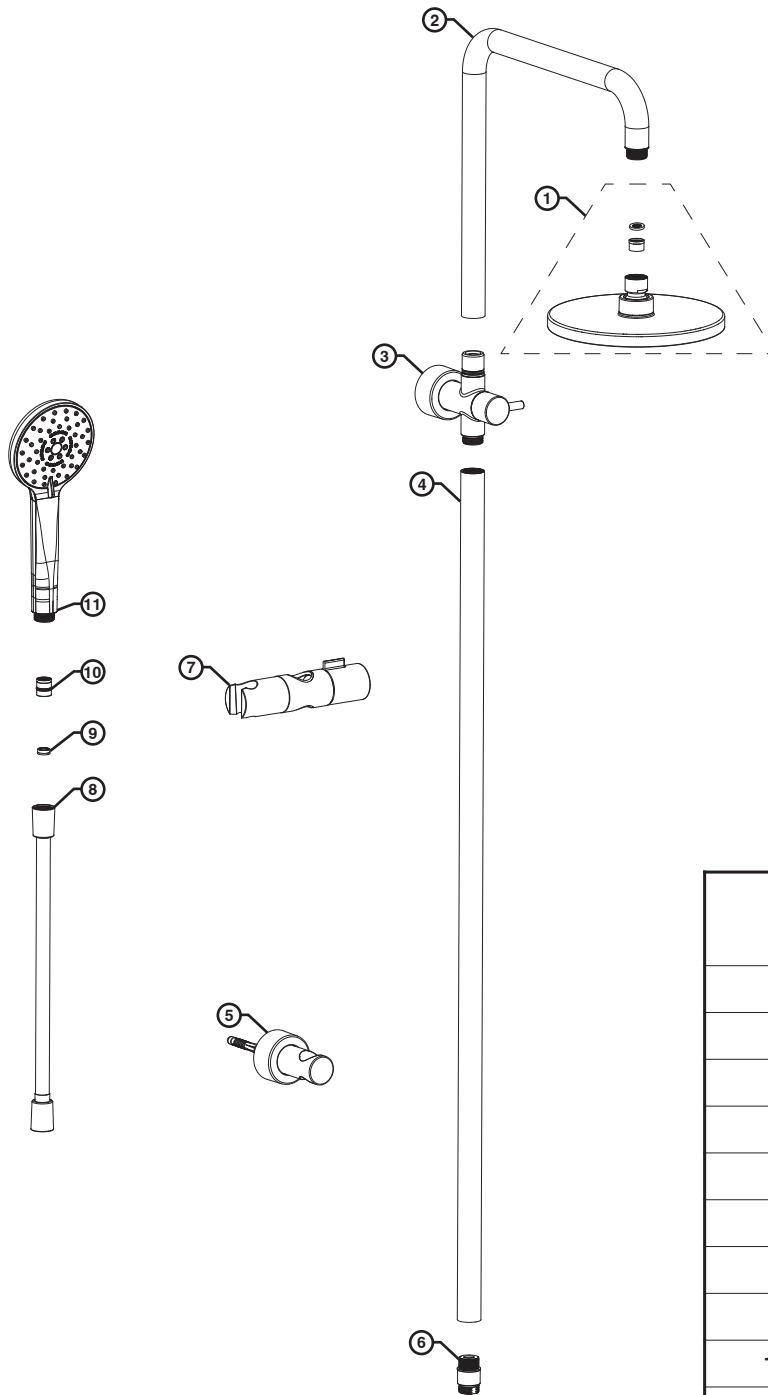


8. Connect headshower, flexible hose and handshower to complete the installation. Exercise care when installing to avoid damage to pre-fitted flow controllers.
9. Turn on water supply to rail to check operation and for any leak.



Posh Bristol Mk2 Twin Rail Shower (3 Star)

Diagram



| | |
|----|--|
| 1 | 180mm Overhead Shower Head Flow limiter 9 LPM |
| 2 | Upper Rail/Arm |
| 3 | Water Inlet Connector with Divertor |
| 4 | Bottom Rail Assembly |
| 5 | Bottom Mounting Bracket |
| 6 | Check Valve |
| 7 | Shower Slider |
| 8 | Shower Hose |
| 9 | Hand shower Flow limiter 2.5GPM |
| 10 | Check Valve |
| 11 | Handshower Handpiece |

Care Details

We recommend the use of soapy water or approved cleaners. This product should not be cleaned with abrasive materials. Damage caused by any improper treatment is not covered by the product warranty. Refer to Warranty Conditions

Plumbers, please ensure a copy of the installation instruction is left with the end user for future reference.

