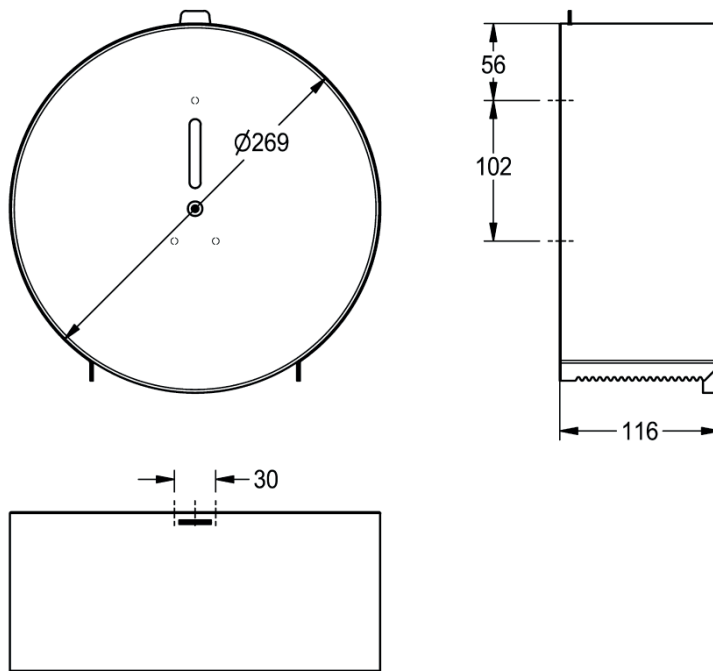


Commercial Jumbo Toilet Roll Holder Stainless Steel

SPECIFICATIONS	
Recommended Use	Domestic, commercial
Colour	Stainless steel
Material	Stainless steel - satin finish
Material thickness	0.80mm
Dimensions (mm)	ø 269(W) x ø 269(H) x 116(D)
Weight	1.68kg gross, 1.28kg net
Mounting Type	Wall mount
Fixing	Stainless steel screws and dowels (supplied)
Capacity	1 x ø 260mm toilet roll
Operation Type	Manual - Franke standard key
WARRANTY	
Warranty - Domestic Use	5 Years
Spare Parts & Labour	5 Years replacement only
<i>Please refer to Warranty Page for full Terms and Conditions</i>	



To see the complete Franke range go to www.reece.com.au/bathrooms



Dimensions are nominal measurements only.

CLEANING RECOMMENDATIONS

We recommend the use of soapy water or approved cleaners.

This product should not be cleaned with abrasive materials.

Damage caused by improper treatment is not covered the the product warranty. Refer to warranty conditions.

