

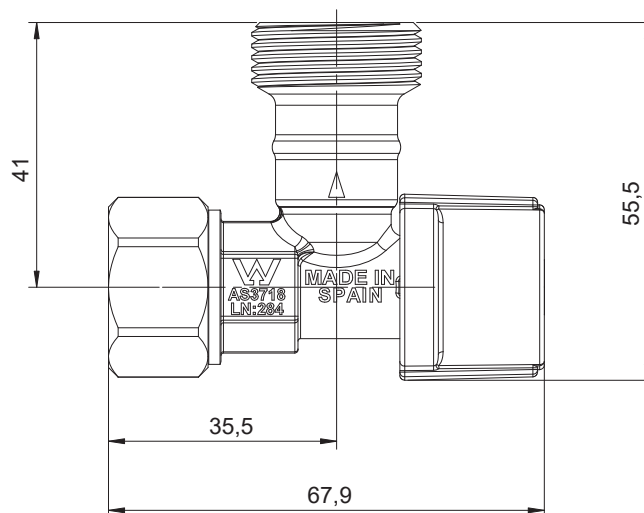


## Arco Giro Washing Machine Stop 15 x 20mm Chrome

### INSTALLATION INSTRUCTIONS

1. Isolate water to the installation area.
2. Do not apply sealing material to the thread of the inflow pipe. This mini stop is fitted with an internal cone sealing washer.
3. Screw mini stop onto the inflow pipe. Do not apply excessive torque, it can damage the washer.
4. Connect hose to fixture and to the outflow connection of the mini stop, ensure that connections are watertight.
5. Check operation of mini stop by turning handle a full quarter turn to ensure connections are watertight.

FOR INSTALLATION REFER TO: AS/NZS 3500



**112016**  
Arco Giro Washing Machine Stop  
15 x 20mm Chrome

Plumbers, please ensure a copy of the installation instructions is left with the end user for future reference.