

Barren Waterless Urinal



Scan QR code
to view our
installation notes



UBW
UBWM
UBWAC

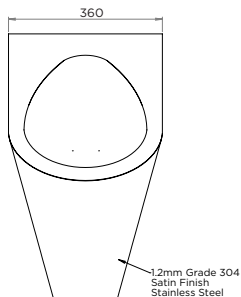
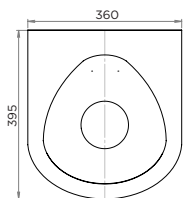
To order this item please advise:

- UBW = fully waterless (no water connection)
- UBWM = manual flushing (flusher not supplied)
- UBWAC = self-cleaning model (supplied with Hygiene Clean device and 450mm flexi)

Product Info:

- Includes Waterless waste outlet
- No perishable components
- Heavy duty stainless steel construction
- Periodic self-cleaning 'Auto Clean' model available

Internal waste connection can be accessed through a void in the underside of the urinal body = 110mm x 200mm.



UBW

INSTALLATION NOTES

1) Waterless waste outlet includes integral diaphragm trap / mechanical seal. A trap is not required directly beneath the urinal waste. 2) Waste outlet is to be connected to the discharge pipe, incorporating an extension prior to any bends. This will allow the diaphragm to extend without obstruction and ensure adequate drainage. 3) For AutoClean model, the recommended water connection to 1/2" male thread spreader is via a flexible connector (supplied) under mains-pressure to ensure adequate flow and to flush sufficiently with 0.5L volume. 4) Urinal fixed to rear wall with offset bracket (supplied) and fixing holes in urinal body.

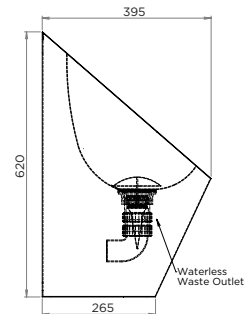
Suggested Mounting Heights:

Dimension from finished floor to front edge/rim of urinal:

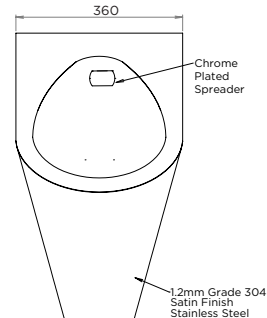
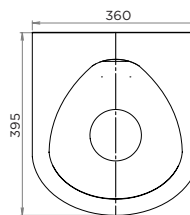
Adults - 610 mm

Juniors - 510 mm

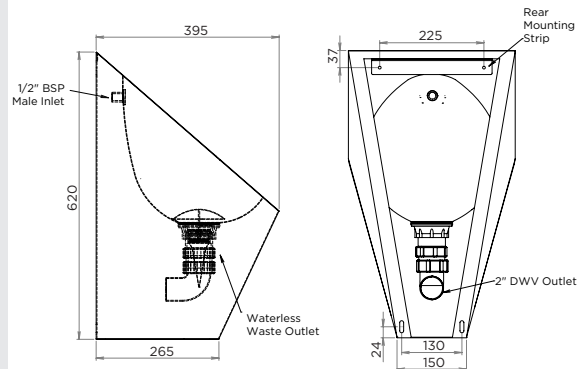
NB: Heights are suggestions only, subject to suitability of users for each individual project.



UBW



UBWM/UBWAC



UBWM/UBWAC