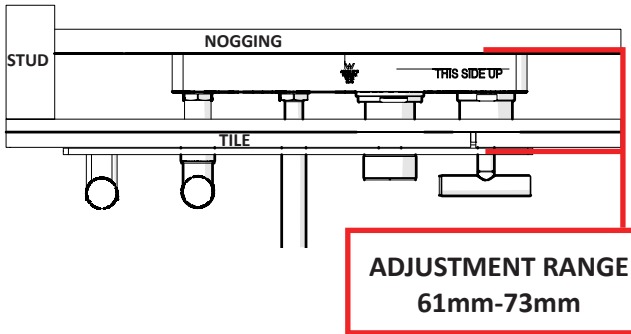


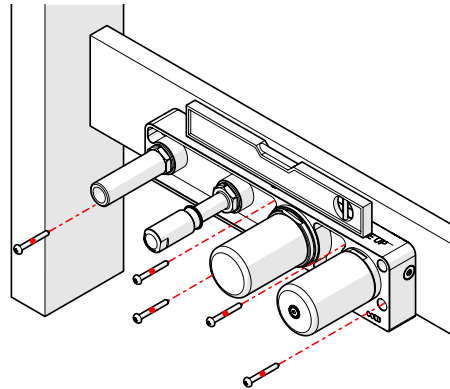
Milli Etch Bath Progressive Mixer Tap System with Hand Shower

1



2

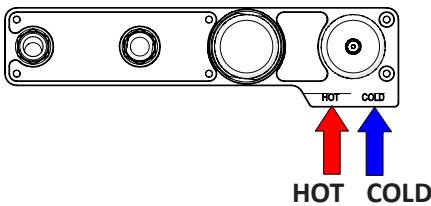
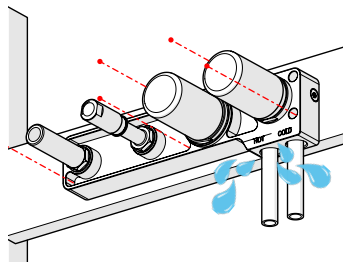
Screw the Mixer Breach onto Nogging to dimensions shown in adjustment range. Ensure that the mixer body is level.



3

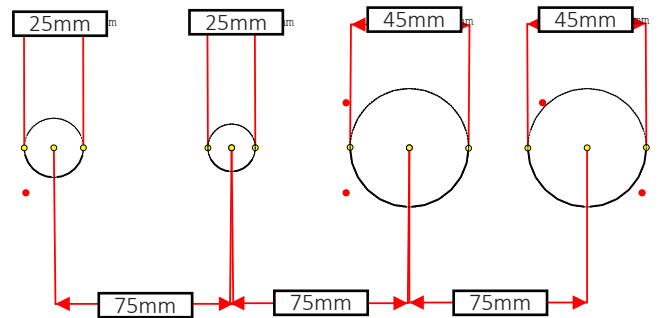
Plumb all connections to Mixer Body.

Ensure wall outlet fitting is capped. Perform **PRESSURE TEST** and check for leaks.



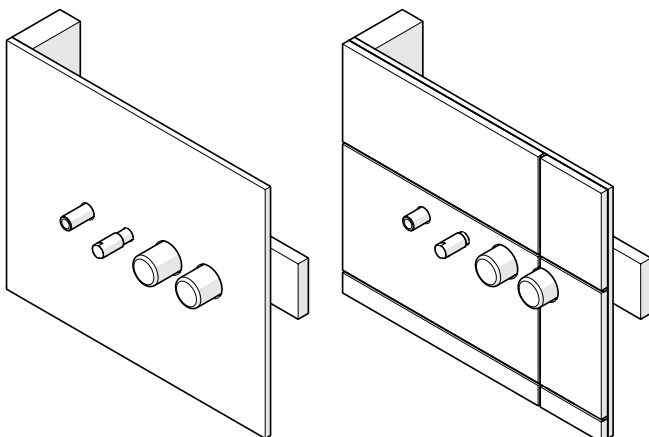
4

Centre distance of the breach assembly is 75mm. Cut two 25mm holes and two 45mm hole on the sheet and tiles, as shown.



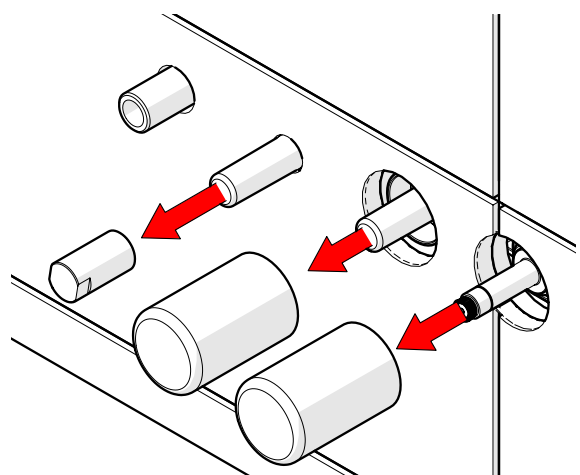
5

Cement sheet, waterproof and tiles as shown.



6

Remove Protective covers as shown.



Care Details

We recommend the use of soapy water or approved cleaners. This product should not be cleaned with abrasive materials. Damage caused by any improper treatment is not covered by the product warranty. Refer to Warranty Conditions

Installation should comply with Australian standard AS3500.1 or relevant local authority requirements. Showers may not be suitable for use within:

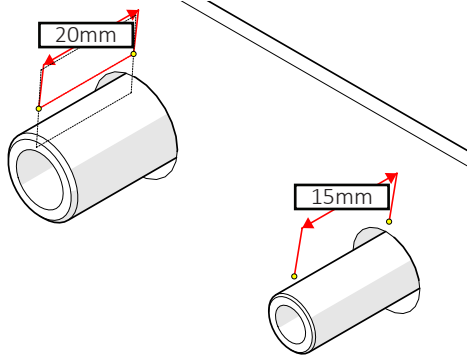
- Gravity-fed water systems
- Some instantaneous hot water systems

Any flow controller incorporated in the outlet to be tightened to prevent removal by hand. As Per AS3718

Plumbers, please ensure a copy of the installation instruction is left with the end user for future reference.

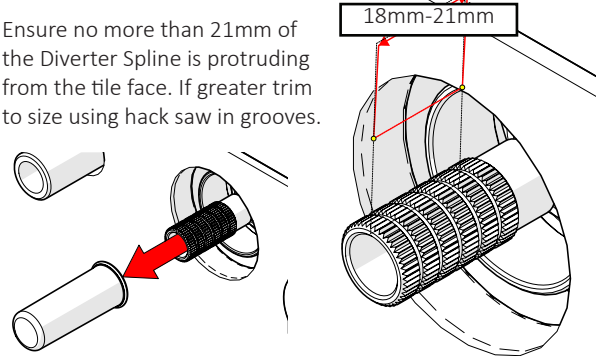


7 Ensure no more than 20mm of G1/2" & 15mm M14 Tail is protruding from the tile face. If greater trim to size.

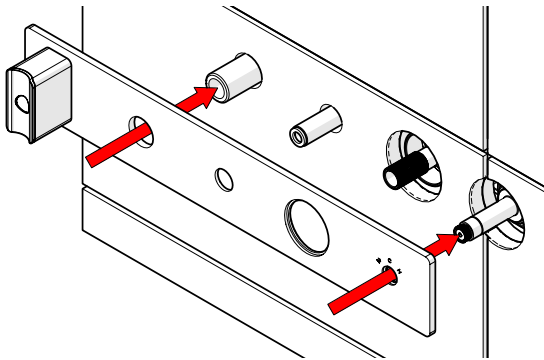


8 Remove Protective Cover from diverter Spline

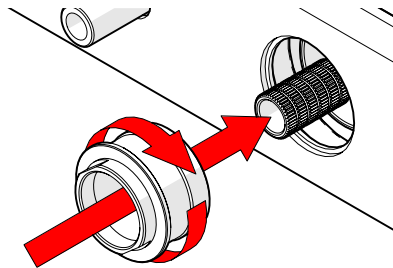
Ensure no more than 21mm of the Diverter Spline is protruding from the tile face. If greater trim to size using hack saw in grooves.



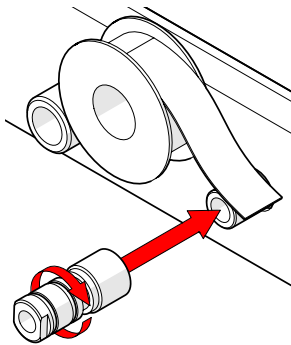
9 Push on Dress Plate until flush with tile face.



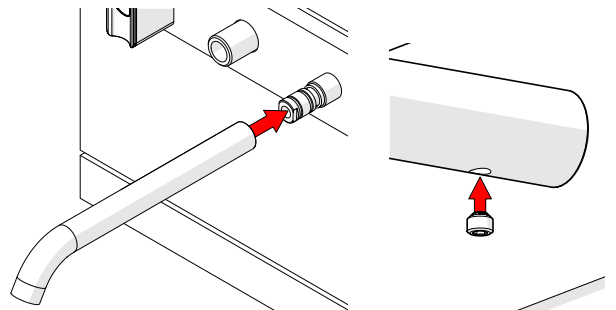
10 Tighten Diverter Locknut securing the dress plate.



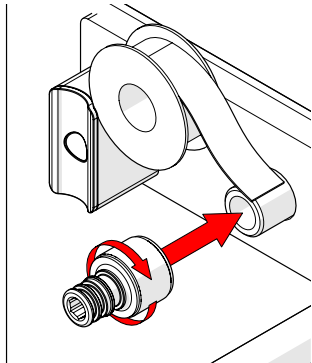
11 Apply Teflon tape. Tighten Outlet Adaptor to M14 thread.



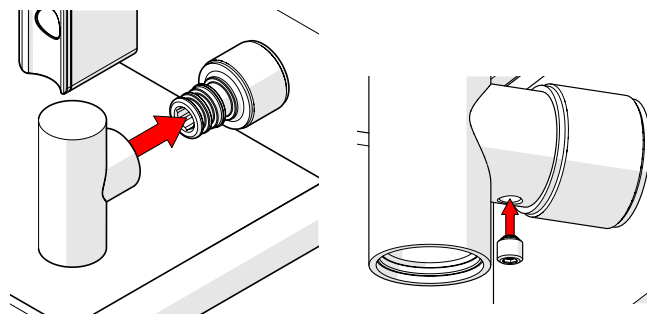
12 Push Outlet Onto Adaptor. Secure with grub screw.



13 Apply Teflon tape. Tighten Hand Shower Adaptor to G1/2" thread.



14 Push on Hand Shower Wall Adaptor and secure with supplied grub screw.



Care Details

We recommend the use of soapy water or approved cleaners. This product should not be cleaned with abrasive materials. Damage caused by any improper treatment is not covered by the product warranty. Refer to Warranty Conditions

Installation should comply with Australian standard AS3500.1 or relevant local authority requirements. Showers may not be suitable for use within:

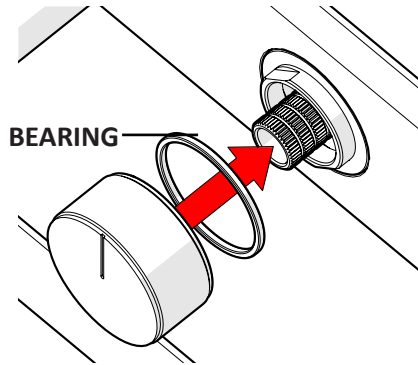
- Gravity-fed water systems
- Some instantaneous hot water systems

Any flow controller incorporated in the outlet to be tightened to prevent removal by hand. As Per AS3718

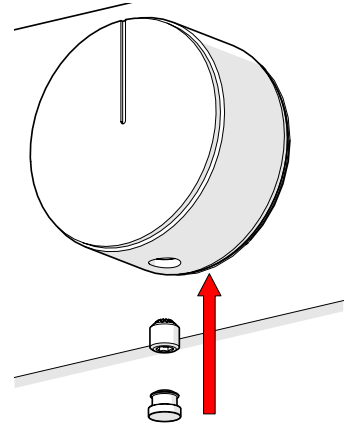
Plumbers, please ensure a copy of the installation instruction is left with the end user for future reference.



15 Push on Diverter Handle ensuring supplied bearing is in position.

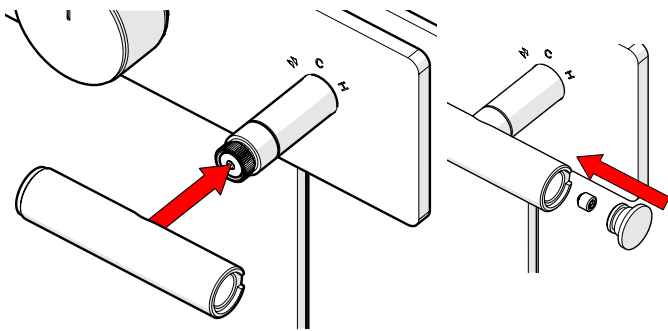


16 Secure with supplied Grub Screw. Push on Rubber cap to finish.

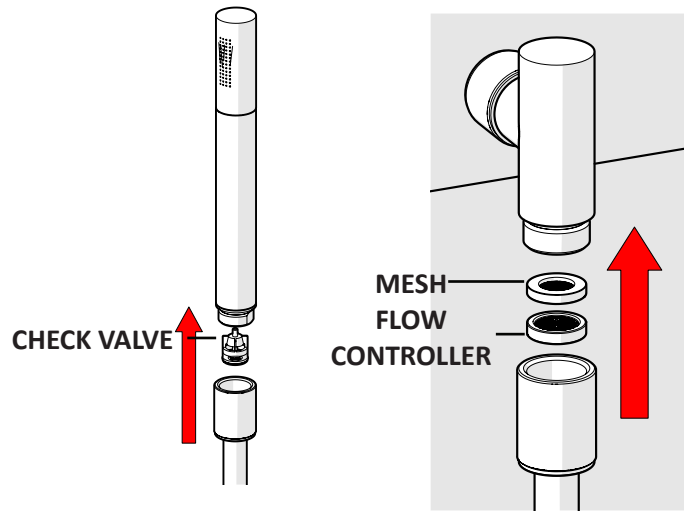


17 Push Mixer Handle to cartridge stem.

Secure grub screw and install Cap as shown.



18 Ensure Flow controllers are installed as shown.



Care Details

We recommend the use of soapy water or approved cleaners. This product should not be cleaned with abrasive materials. Damage caused by any improper treatment is not covered by the product warranty. Refer to Warranty Conditions

Installation should comply with Australian standard AS3500.1 or relevant local authority requirements. Showers may not be suitable for use within:

- Gravity-fed water systems
- Some instantaneous hot water systems

Any flow controller incorporated in the outlet to be tightened to prevent removal by hand. As Per AS3718

Plumbers, please ensure a copy of the installation instruction is left with the end user for future reference.

