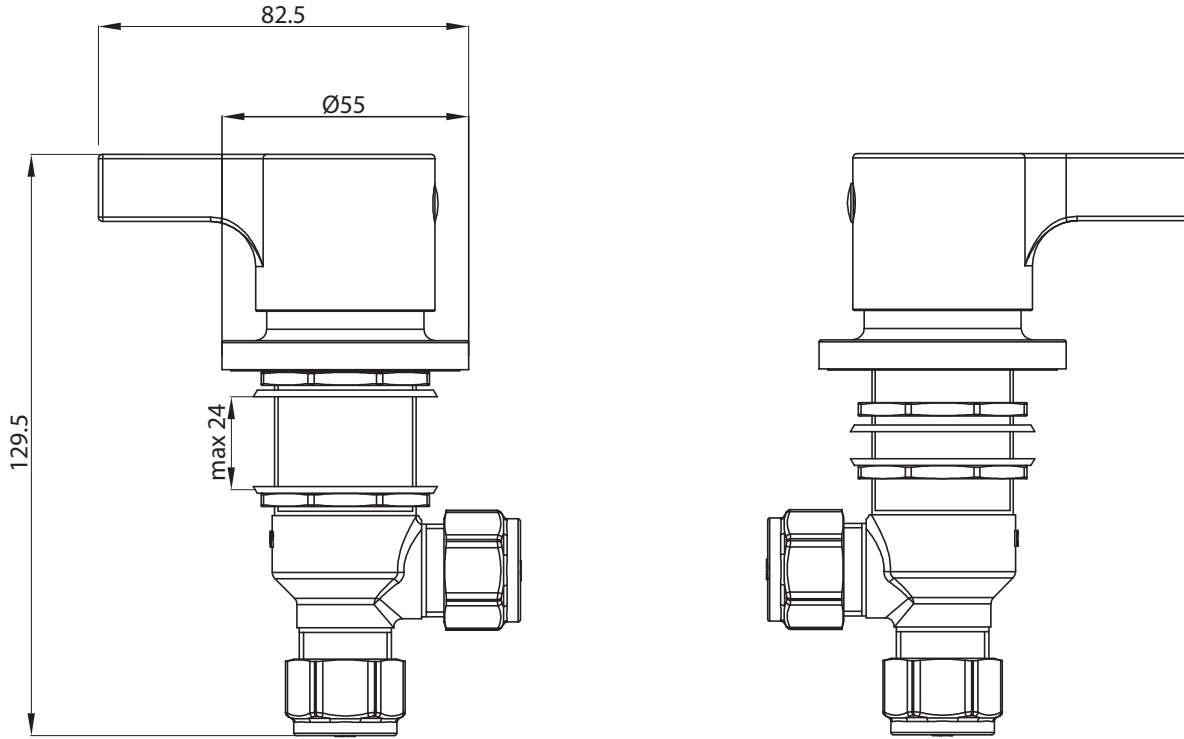


m i z u

# STREAM BASIN TOP ASSEMBLIES BRUSHED NICKEL



Dimensions are nominal measurements only.

## SPECIFICATIONS

<b>Recommended Use</b>	Domestic, Hotel & Commercial	
<b>Colour</b>	Chrome, Matte Black or Brushed Nickel	
<b>Pressure Rating</b>	Maximum Continuous Operating Pressure 1000kPa	
	Note: As per AS/NZS3500 pressure must be limited to 500kPa on any new home, extension or renovation.	
	Note: For best performance and longer life we recommend an operating pressure between 150-500 kPa	
	Hot and cold water inlet pressure should be equal.	
<b>Temperature Rating</b>	Maximum Continuous Working Temperature	65°C
<b>Suitable Hot Water Units</b>	Storage Tank	Yes
	Continuous Flow	Yes
	Gravity Feed	Yes



To see the complete MIZU range go to [www.reece.com.au/bathrooms](http://www.reece.com.au/bathrooms)

## CLEANING RECOMMENDATIONS

We recommend the use of soapy water or approved cleaners.

This product should not be cleaned with abrasive materials.

Damage caused by any improper treatment is not covered by the product warranty. Refer to Warranty Conditions.

m i z u

# STREAM BASIN TOP ASSEMBLIES BRUSHED NICKEL

## INSTALLATION INSTRUCTIONS

### Note

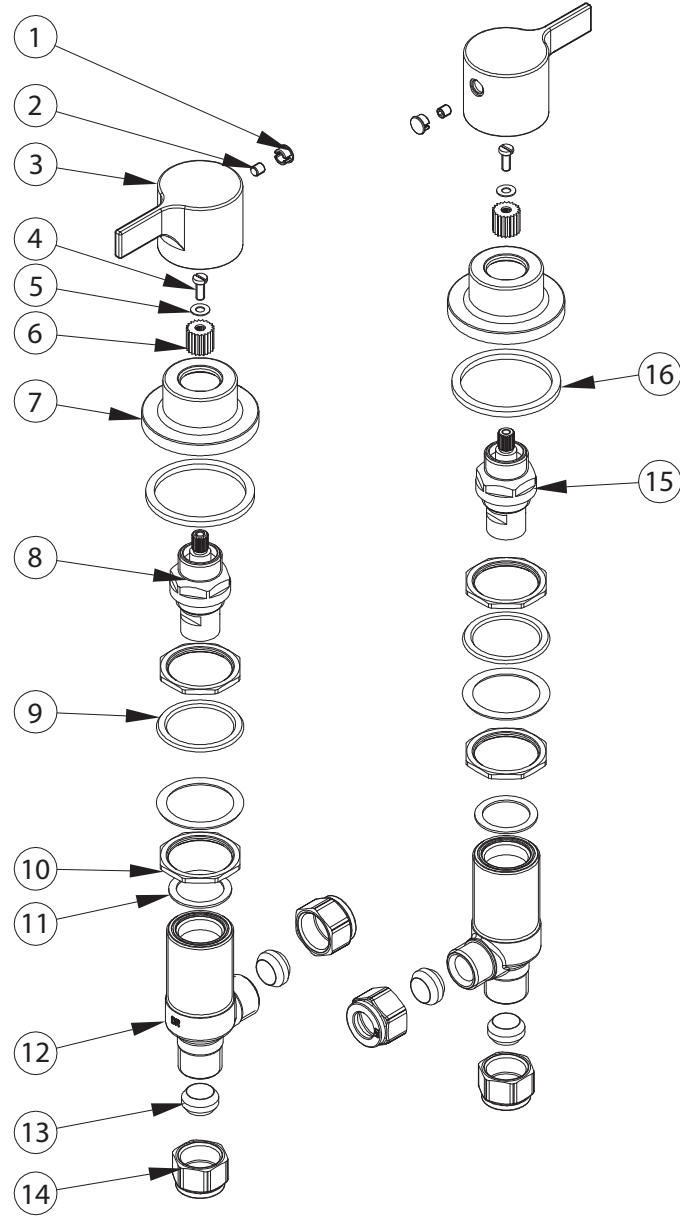
Mixer must be installed by a licenced plumber.

### Installation Procedure

1. Separate locknut and fibre washer from cartridge
2. Grip the cartridge on the hexagonal flats and install cartridge fully into breech until it comes to a firm stop. Do not tighten cartridge into position by rotating spindle
3. Turn spindle to off position and turn on water at mains. Check that cartridge has fully seated. If dripping occurs then gently tighten cartridge further until dripping stops
4. Firmly tighten cartridge locknut and fibre washer into position
5. Turn cartridge spindles to the fully OFF position and assemble handle
6. Ensure that Handle pins are pointing out to sides when in the off position
7. Fix the handle by tightening the grub screw with allen key and then push plug into position

# STREAM BASIN TOP ASSEMBLIES BRUSHED NICKEL

## COMPONENT LISTING



No.	Description
1	Decorative Cover
2	Grub Screw
3	Handle
4	Screw
5	Washer
6	Spline
7	Flange
8	Cartridge (HOT)

No.	Description
9	Washer
10	Nut
11	Washer
12	Stop Body
13	Washer
14	Nut
15	Cartridge (COLD)
16	Washer