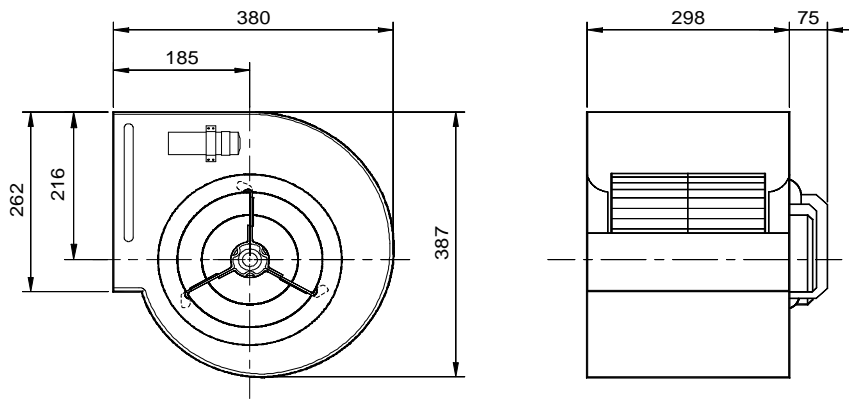
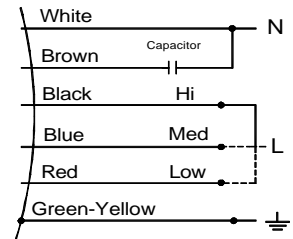


# KDD 9/9 350W 4P-1 3SY

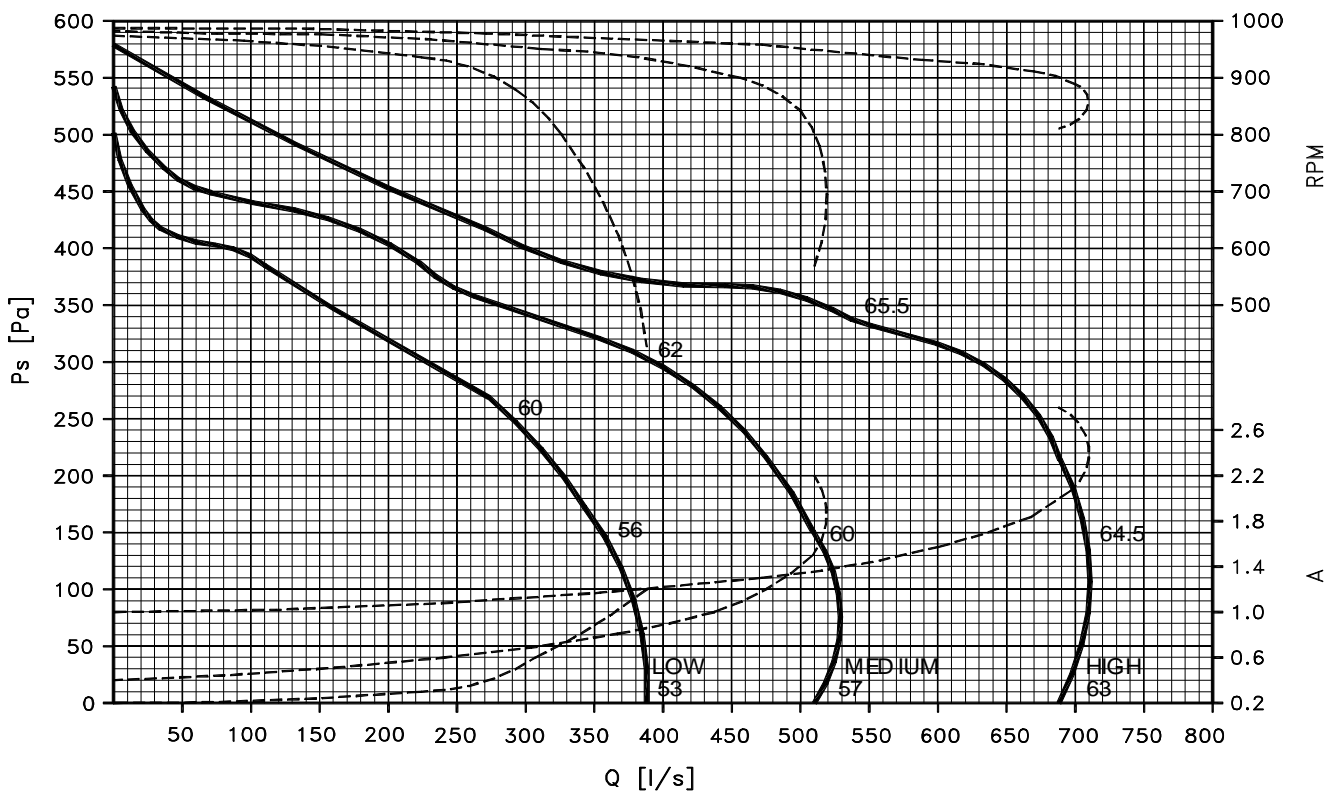


VOLT	220 - 240	Ph	1	SL.	KD09008.1
WATT	350	Hz	50	Part No.	CE-AD0F733.00
RPM	1300/1150/1050	Cl.	F	uF/V	12.5 / 450
POLE	4	Temp.	min - 20°C	N. Amp	2.4
IP	21		max +40°C	M. Amp	3.6
				Date	28/12/00
				Weight	14.5

## Wiring diagram



All Dimension in mm



\* Sound Lp(A) at 1 m.