



Compressor  
Voltage Code : FZ

**FH4531F**

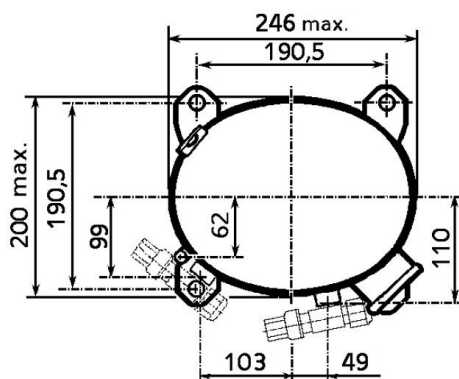
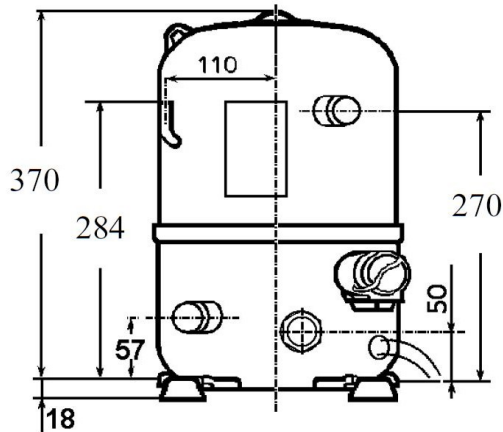
High Temp. Commercial (HP)

220 - 240V 1~ 50 Hz

R22

**AHC4531EFZ**

Conditions	Frequency	Nominal Cooling Capacity		Sound Power ISO3745 / ISO 3743-1
		Watts	BTU/h	
EN12900 / R22	50 Hz	7057	24064	71 dBA



\* EN12900 : T°Cond. 50.0°C / T°Evap. 5.0°C / T°Return gas temp.. 20.0°C  
T°Subcooling. 0.0K

Certificates :



<b>Displacement (cc)</b>	56.65
<b>Net Weight (Kg)</b>	36.0
<b>Oil Quantity (cc)</b>	1330.0
<b>Oil Type</b>	Mineral
<b>Expansion Device</b>	Capillary_Tube/Expansion_Valve
<b>Cooling</b>	Fan
<b>Main Winding (Ohm)</b>	0.89
<b>Start Winding (Ohm)</b>	3.19
<b>Current</b>	
RLA (A)	12.6
MCC (A)	21
LRA (A)	66
<b>Electrical Equipment</b>	CSR
<b>Overload</b>	Interne
<b>Start Capacitor</b>	156 µF / 330 V
<b>Run Capacitor</b>	35 µF / 400 V
<b>Potential Relay</b>	RVA4L**
Pick Up	223/259V
Drop Out	50/110V
Optional	3ARR3*6AV*
<b>Refrigerating connection for OD</b>	
Suction Tube	22.2 (7/8")
Discharge Tube	12.7 (1/2")
Process Tube	6.35 (1/4")

Note : Tecumseh reserves the right to change information contained in this document without notification.



**Tecumseh**

<b>FH4531F</b>	<b>Tension FZ : 220 - 240V 1~ 50 Hz</b>
----------------	---

Les performances sont données dans les <b>conditions EN12900</b> :	Gaz aspirés :	20.0 °C
Condition Dew	Sous refroidissement :	0.0 K
The performance data are in <b>EN12900 conditions</b> :	Return gas :	20.0 °C
Dew Condition	Subcooling :	0.0 K

**50 Hz R22**

**N°236JT-F**

4   T condensation	5   T évaporation	(°C)	<b>-20</b>	<b>-15</b>	<b>-10</b>	<b>-5</b>	<b>0</b>	<b>5</b>	<b>10</b>	<b>15</b>
<b>40</b>	1   P frigorifique	(Watt)	2758	3625	4620	5740	6980	8337	9806	11382
	2   P absorbée	(W)	1728	1875	2026	2181	2340	2502	2668	2837
	3   I absorbée	(A)	7.92	8.81	9.66	10.5	11.2	11.9	12.6	13.2
<b>50</b>	1   P frigorifique	(Watt)	2145	2908	3785	4772	5864	7057	8346	9725
	2   P absorbée	(W)	1631	1858	2082	2306	2528	2749	2968	3186
	3   I absorbée	(A)	7.45	8.61	9.73	10.8	11.9	12.9	13.8	14.8
<b>60</b>	1   P frigorifique	(Watt)		2151	2923	3791	4748	5791	6914	8110
	2   P absorbée	(W)		1839	2138	2431	2717	2998	3272	3539
	3   I absorbée	(A)		8.44	9.83	11.2	12.5	13.8	15.1	16.3

© 2020 Tecumseh Products Company  
All rights reserved

1 = cooling capacity 2 = power input 3 = current 4 = condensing temperature 5 = evaporating temperature

**Nota : Tecumseh se réserve le droit de modifier les informations contenues dans ce document sans préavis.**  
**Note : Tecumseh reserves the right to change information contained in this document without notification.**