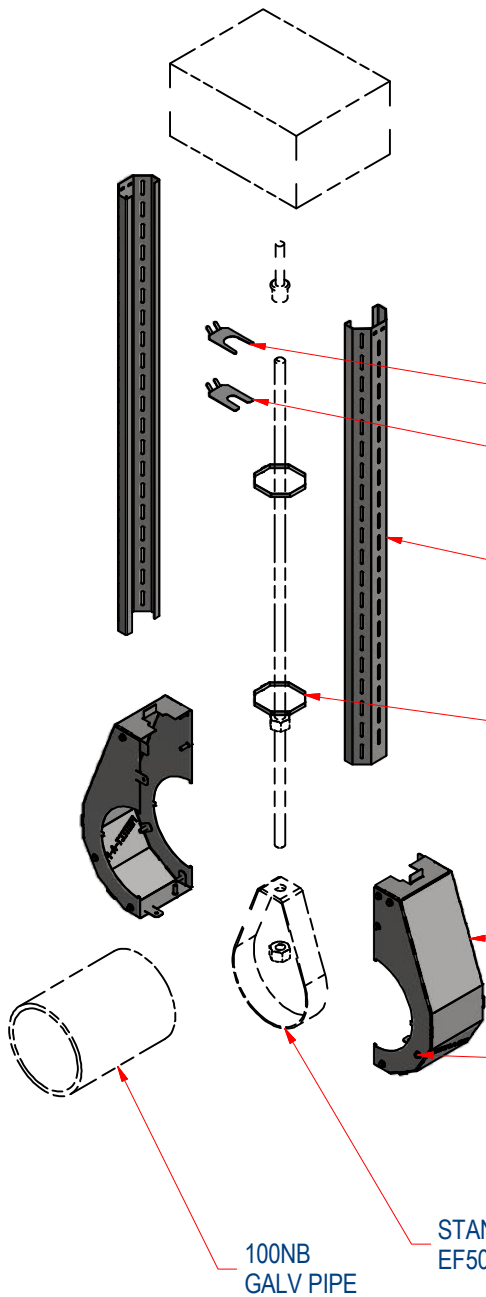
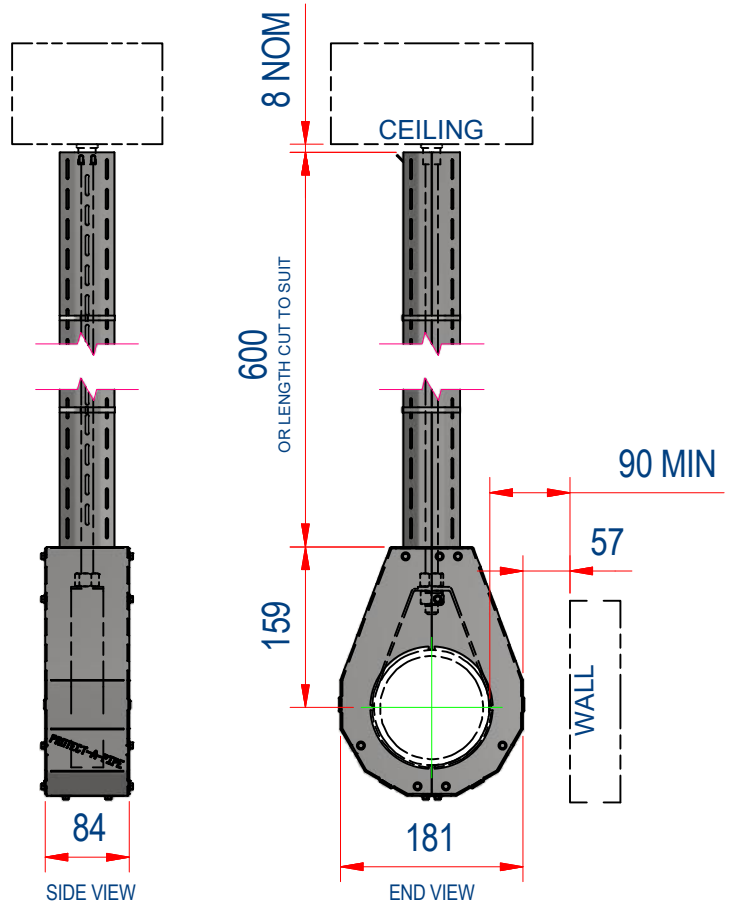


**SPECIFICATION - 100NB PEAR  
BAND MOULD\_600HT**



**COMPLETE ASSY NUMBER**

**PRODUCT CODE 506825**



**COMPLETE ASSY**

- PN: VC20**  
1 OFF
- PN: ARC12**  
1 OFF
- PN: 600HT**  
2 OFF  
ALWAYS SUPPLIED  
PRE FOLDED
- SS CABLE TIE**  
2 OFF
- PN: P100FE**  
2 OFF  
SUPPLIED AS FLAT PAK  
OR PRE ASSEMBLED  
(REFER TO OPTION ON  
ORDER SHEET)
- SS SCREWS**  
20 OFF  
SUPPLIED WITH FLAT PAK

**NOTE:**  
**"CAFCO 300" REQD**