

Caroma®

CI/SfB	(74.2)	g3
Date	November 2016	

Supersedes all previous issues

Carboni II

Vitreous China Inset Vanity Basin

Nominal Size: 415mm x 415mm

2.23.1



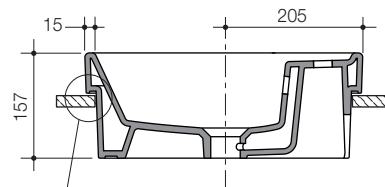
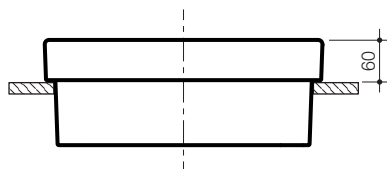
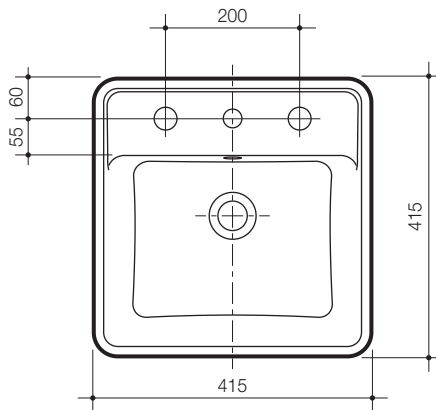
Carboni II



Tapware shown is not included.

The **Carboni II** inset vanity basin offers a contemporary square style with distinctive clean lines. This range adds timeless sophistication in any bathroom. The basin is suitable for general purpose domestic and commercial applications.

- Tap Holes:** Basin available in: One taphole Code No.865615; three tapholes Code No.865635.
- Waste Outlet:** The basin has been designed for the Caroma waste outlet suitable for a 40mm trap connection. Chrome flush fitting waste and white plug supplied. Alternative waste options are available — Plug & anti-vandal flush fitting chrome waste Code No.687141C; Plug & chrome grate waste Code No.687328C.
- Bowl Capacity:** 3 litres to overflow.
- Overflow:** Overflow available only. Designed for maximum tap flow rate of 15 litres/minute.
- Fixing:** The underside of the basin rim must be sealed to the counter top with an acetic cured silicone sealant. **Epoxy type glues must not be used.** The basin is supplied with a template which must be used for the counter top cut-out.
- Colours:** White only.
- Dimensions:** All dimensions are in millimetres and are subject to normal manufacturing variations. Caroma pursues a policy of continuing improvement in design and performance of its products. The right is therefore reserved to vary specifications without notice.



Acetic cured silicone sealant
IMPORTANT: Epoxy type glues must not be used

