

# MILLI GLANCE EXTENDED BASIN MIXER


## INSTALLATION INSTRUCTIONS

### Important Note

Mixer must be installed to the requirements of AS/NZS 3500 by a qualified plumber. Your mixer comes to you already factory assembled and tested. We do not recommend the dismantling of any internal part of the mixer. The mixers are factory tested and sealed so as to give the best performance.


MILLI GLANCE TALL BASIN MIXER INSTALLATION INSTRUCTION

#### WATER SUPPLY REQUIREMENTS



**150 KPa Min.  
550 KPa Max.**

Recommended Working Pressure



**75°**

Maximum hot water temperature

**Note:**

- If the pressure exceeds or is likely to exceed 550kpa, an approved pressure limiting device must be installed.
- Flush out all pipe work prior to installation.
- If the water temperature exceeds 75°C, an approved tempering valve must be fitted.
- Installation should comply with Australian standard AS3500.1 or relevant local authority requirements.

Failure to comply with the above may void all warranties.

**Maintenance and Care**

- Chrome plated surfaces should be cleaned with mild liquid detergent or soap and water.
- Do not** use cream cleaners or citrus based cleaning products, as they are abrasive.
- Use of unsuitable cleaning agents may damage the surface. Any damage caused in this way will not be covered by warranty.

---

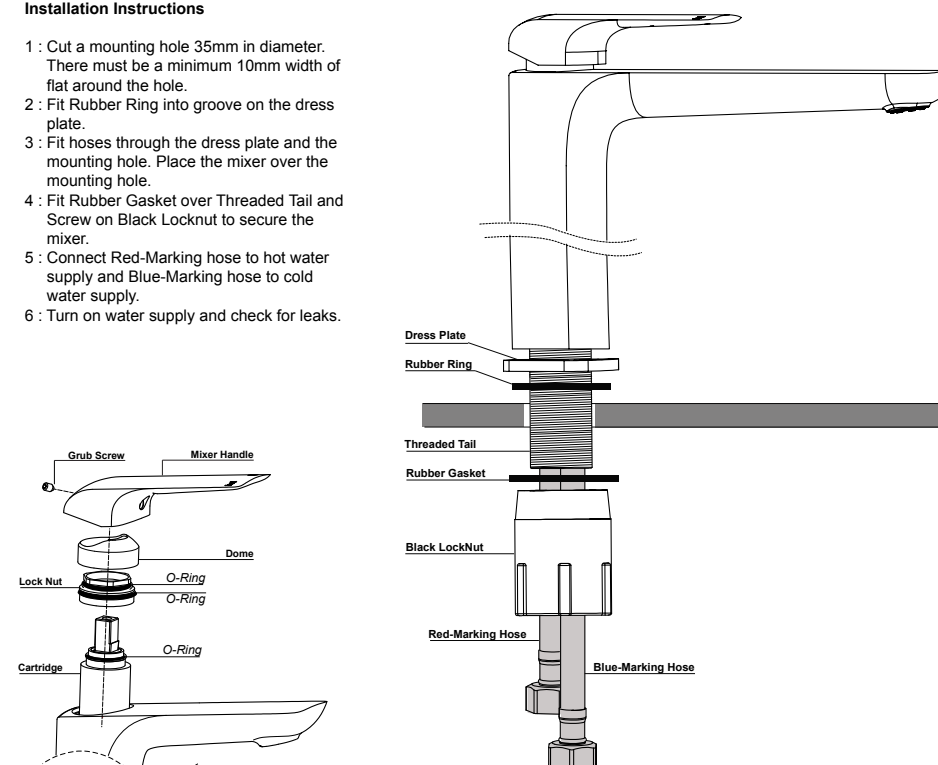
**Cartridge Replacement**

- 1 : loosen Grub Screw with an allen key.
- 2 : Remove Mixer Handle and Dome.
- 3 : Loosen and remove Lock Nut with a tube spanner.
- 4 : Remove the old mixer cartridge and replace with a new unit, and make sure that O-rings are in places.

To re-assemble, follow above steps in reverse.

#### Installation Instructions

- 1 : Cut a mounting hole 35mm in diameter. There must be a minimum 10mm width of flat around the hole.
- 2 : Fit Rubber Ring into groove on the dress plate.
- 3 : Fit hoses through the dress plate and the mounting hole. Place the mixer over the mounting hole.
- 4 : Fit Rubber Gasket over Threaded Tail and Screw on Black Locknut to secure the mixer.
- 5 : Connect Red-Marking hose to hot water supply and Blue-Marking hose to cold water supply.
- 6 : Turn on water supply and check for leaks.



IN0217 revA

Plumbers, please ensure a copy of the installation instructions is left with the end user for future reference

