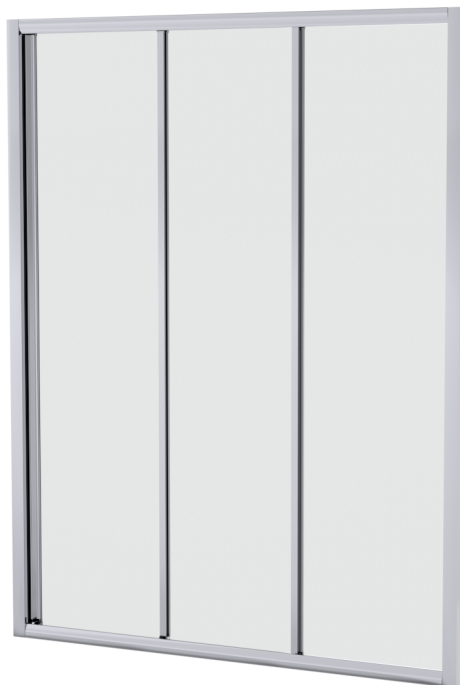


# FRAMED FRONT ONLY SLIDER



To see the complete CUSTOM GLASS range go to  
[www.reece.com.au/bathrooms](http://www.reece.com.au/bathrooms)

## SPECIFICATIONS

<b>Recommended use</b>	Domestic, Hotel, and Commercial
<b>Material</b>	Screen- 5mm Clear Toughened Glass. Glass Infill- 5mm Clear Toughened Glass. Australian Safety Standards Compliant.
<b>Floor Suitability</b>	Tiled Floor Installation
<b>Door Opening Option</b>	Left or Right
<b>Handle</b>	Slider Handle
<b>Frame &amp; Support Rail Colour</b>	Polished Silver
<b>Optional Extras</b>	1789912 - Installation Charge 1791295 - Shower Screen Removal

## SIZE VARIATIONS

Code	SIZE	FRONT	HEIGHT
1789855	900	900	1950
1789856	1000	1000	1950
1789857	1100	1100	1950
1789858	1200	1200	1950

## CLEANING RECOMMENDATIONS

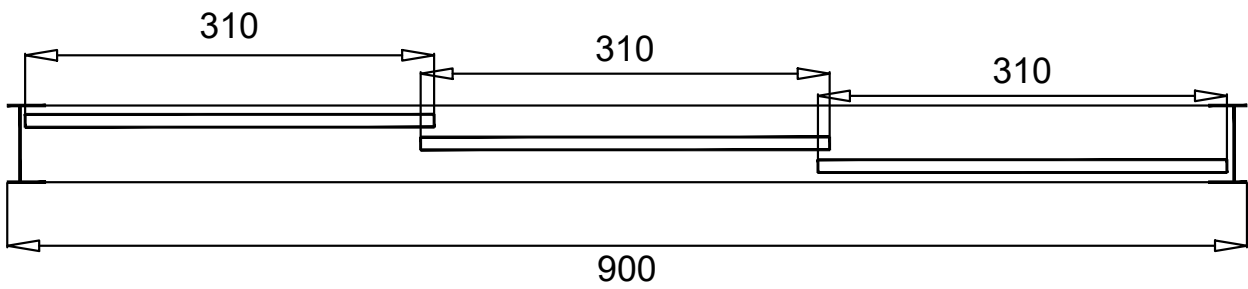
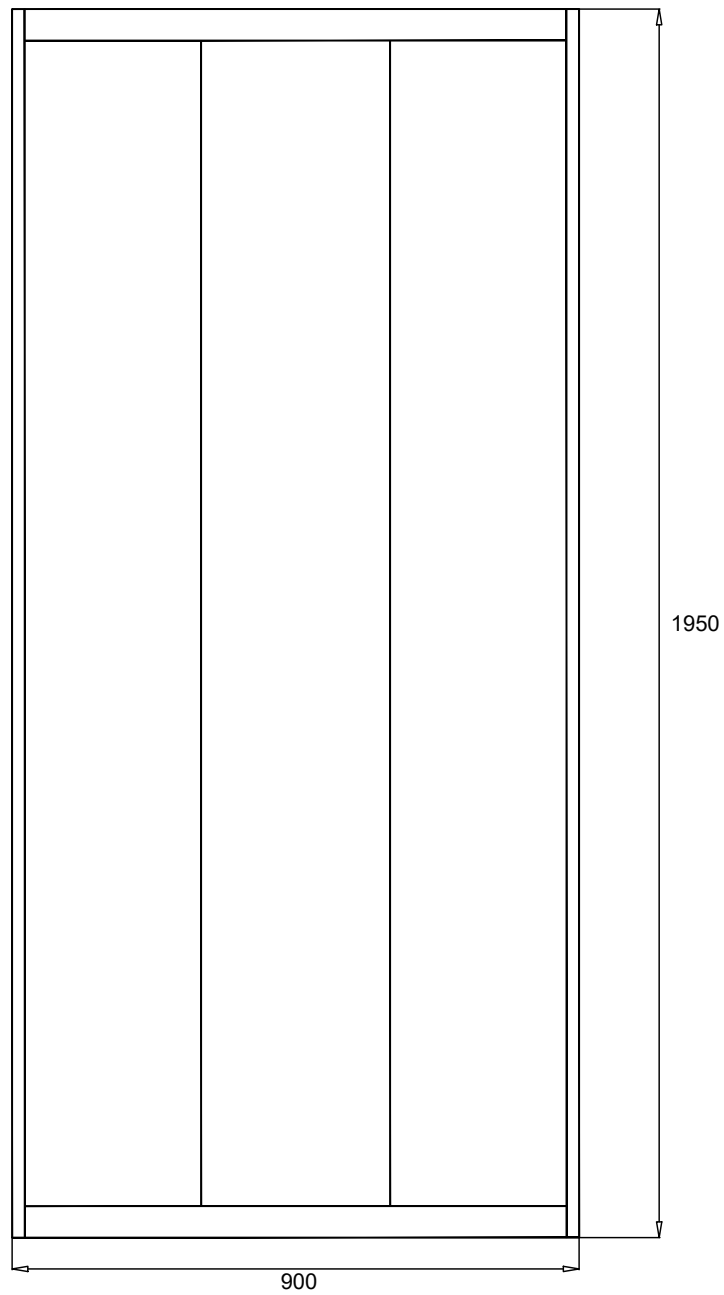
We recommend the use of soapy water or approved cleaners.

This product should not be cleaned with abrasive materials.

Damage caused by any improper treatment is not covered by the product warranty - refer to Warranty Conditions.

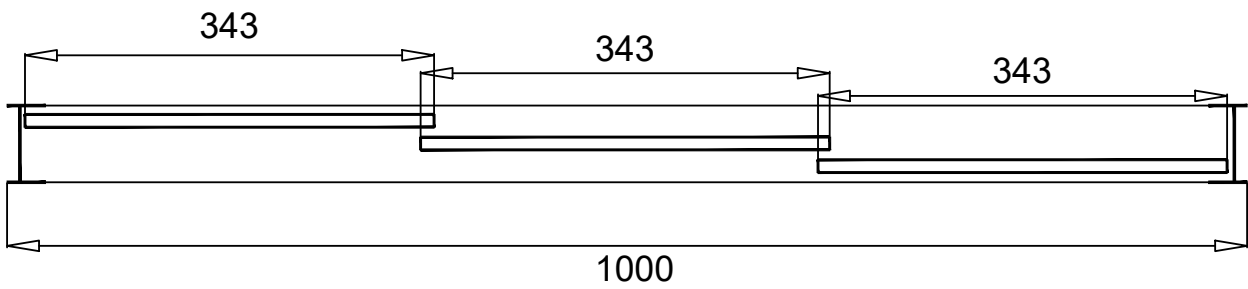
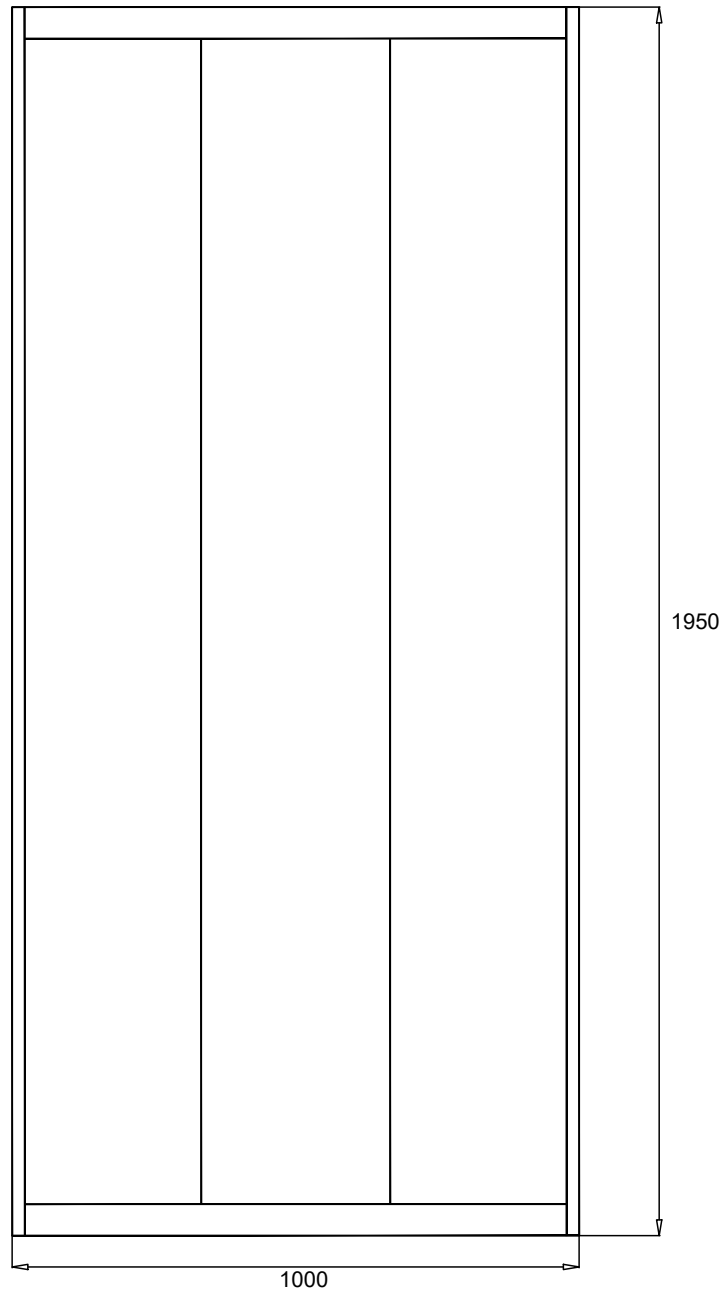
Please refer to detailed Cleaning Instructions on page 21.

**FRAMED FRONT ONLY SLIDER**

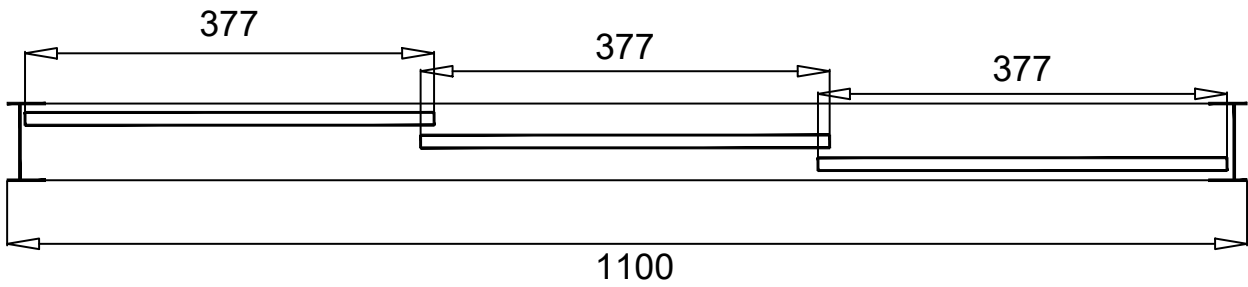
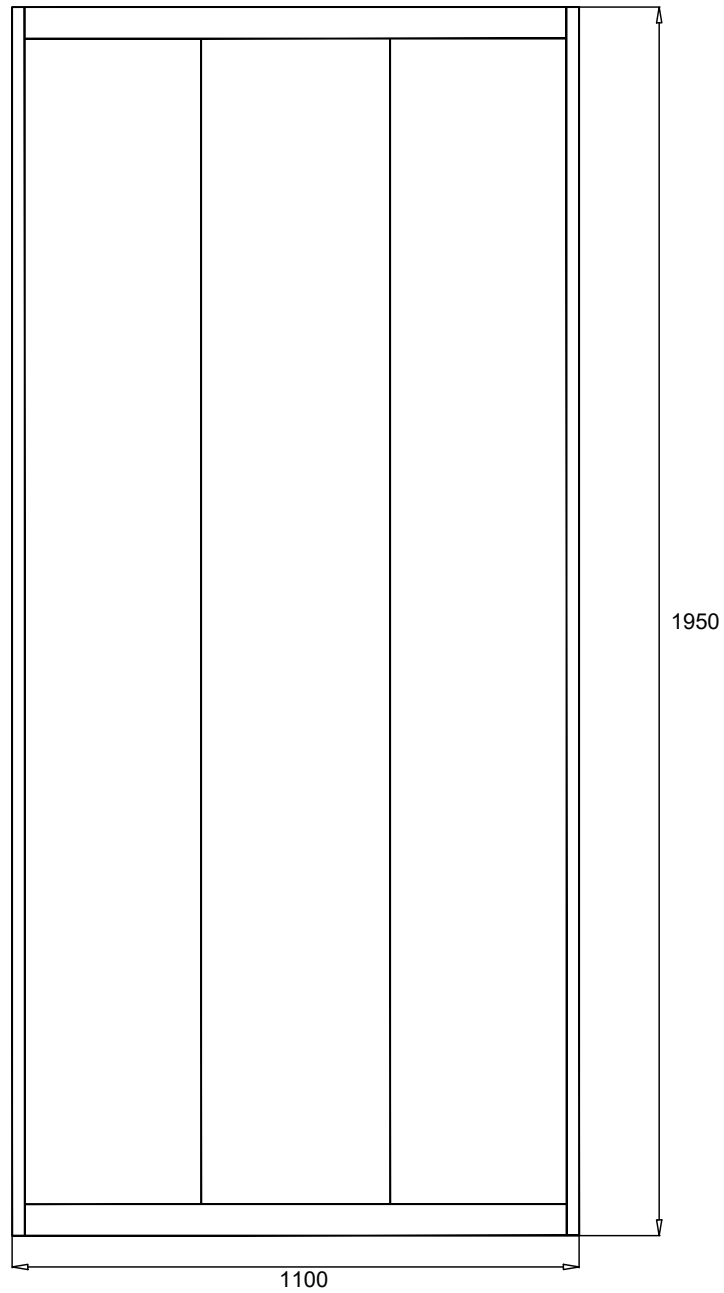


Dimensions are nominal measurements only.  
Dimensions are shown in Millimetres

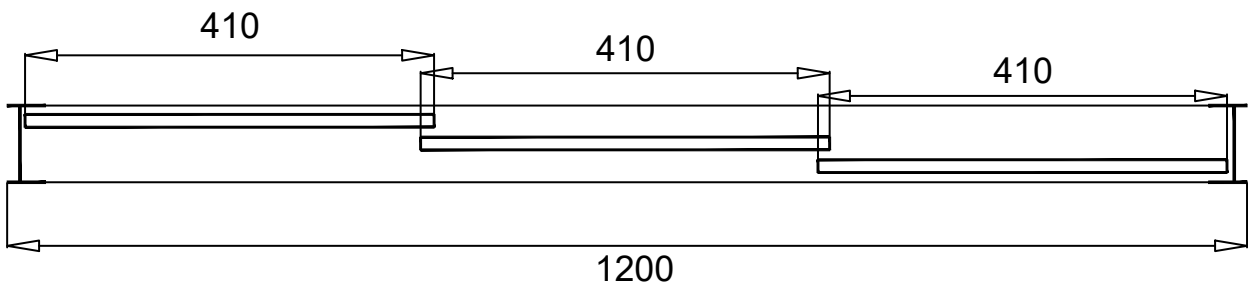
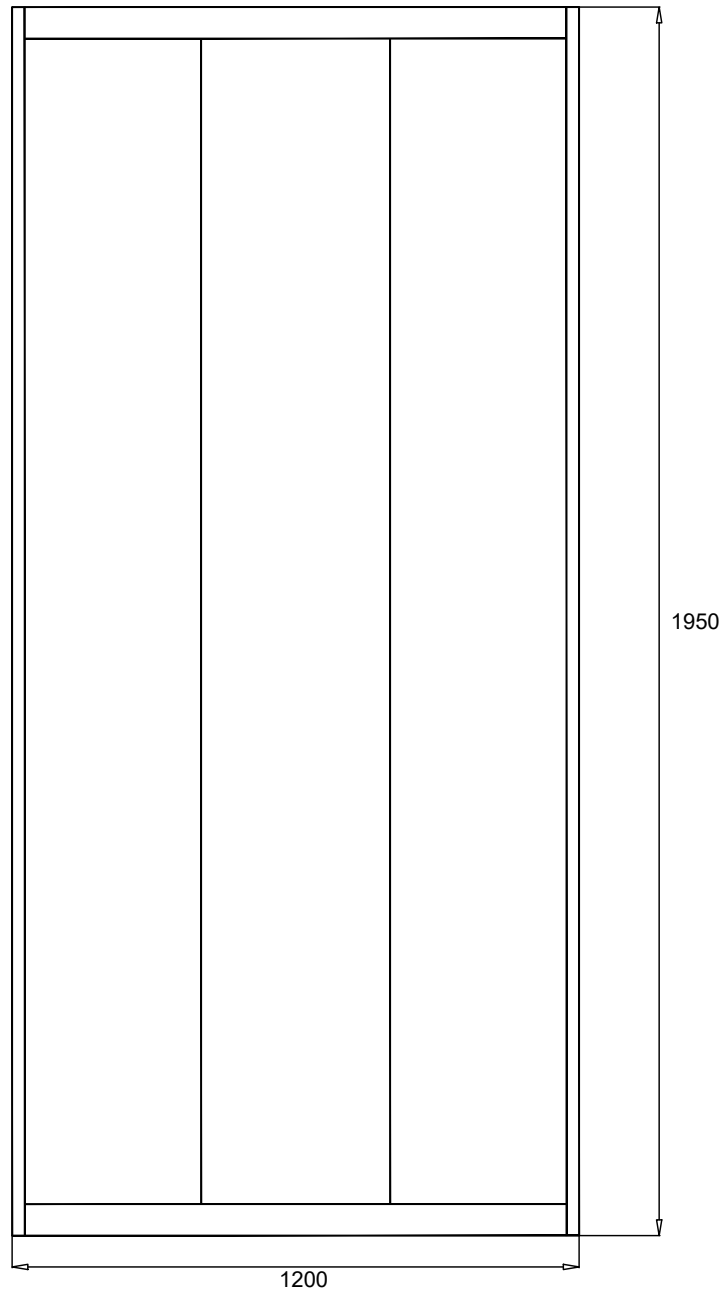
**FRAMED FRONT ONLY SLIDER**



**FRAMED FRONT ONLY SLIDER**



**FRAMED FRONT ONLY SLIDER**



## FRAMED FRONT ONLY SLIDER

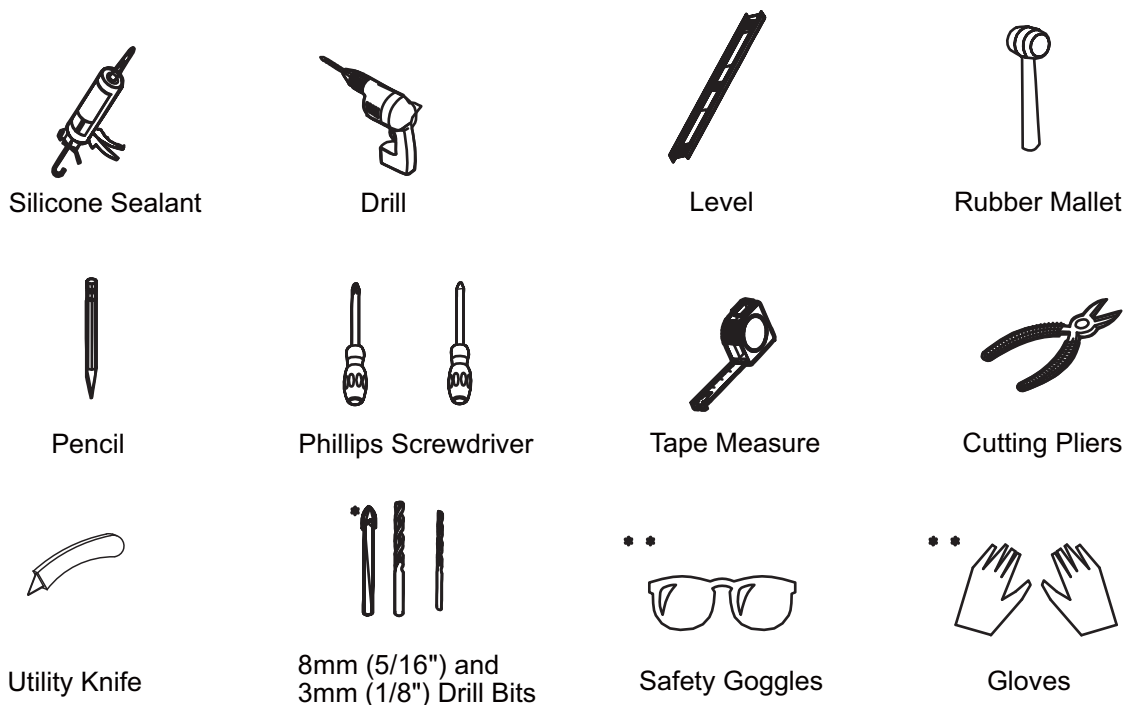
### Important Pre-Installation Information

- Please read this entire instruction book before commencing installation.
  - A licenced tradesman must be used for the installation.
  - Leave the plastic protectors on the glass corners until the last possible moment
  - and handle with care.
- If Required Installation Can be arranged Through your Local Reece Branch

### Maintenance

If water alone is not enough to clean the glass, Custom Glass recommends the use of mild detergent solutions only.

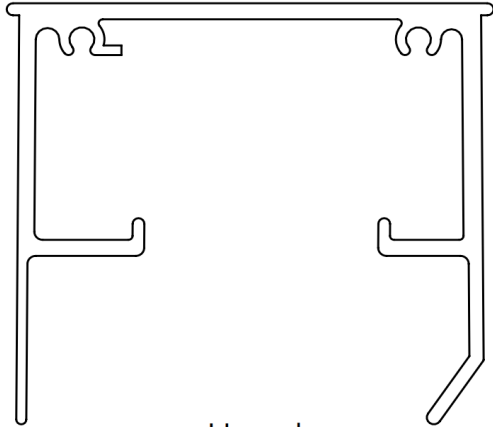
### Tools Required



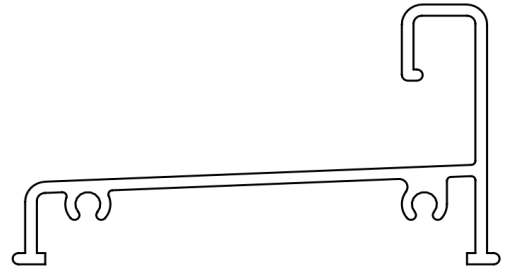
\* Use the correct type of drill bit for the material being drilled, with 6mm required for anchor fixing and 3mm used for screwing directly into the wall studs.

\*\* As with all toughened glass, take care while handling and wear safety goggles and gloves for personal protection.

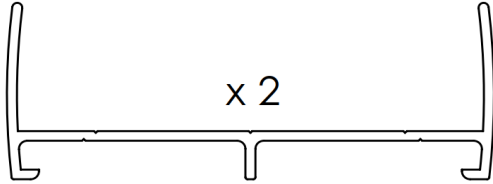
**FRAMED FRONT ONLY SLIDER**



Head

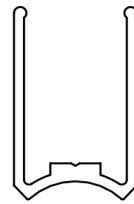


Sill



x 2

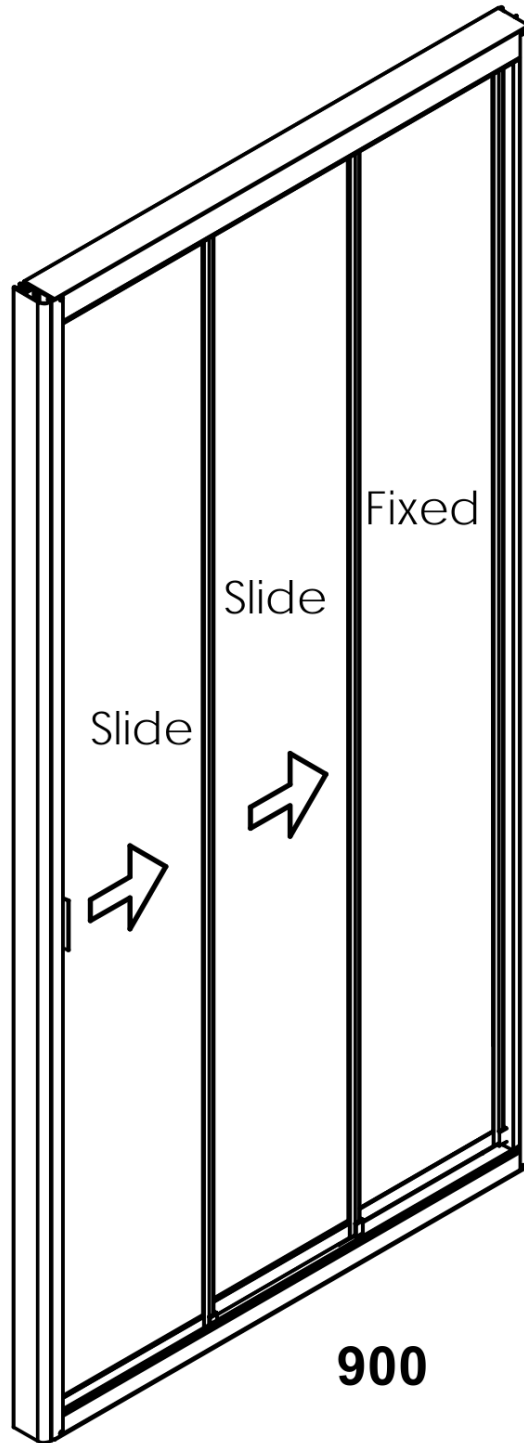
Wall Jamb



Wall Channel

**FRAMED FRONT ONLY SLIDER**

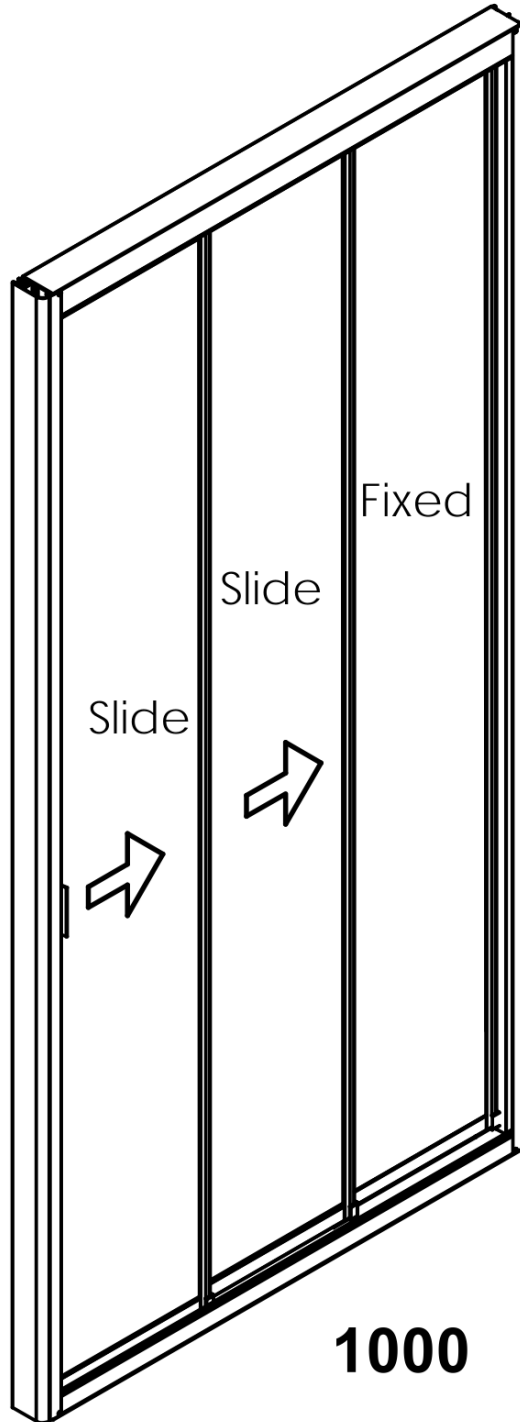
**1950**





**FRAMED FRONT ONLY SLIDER**

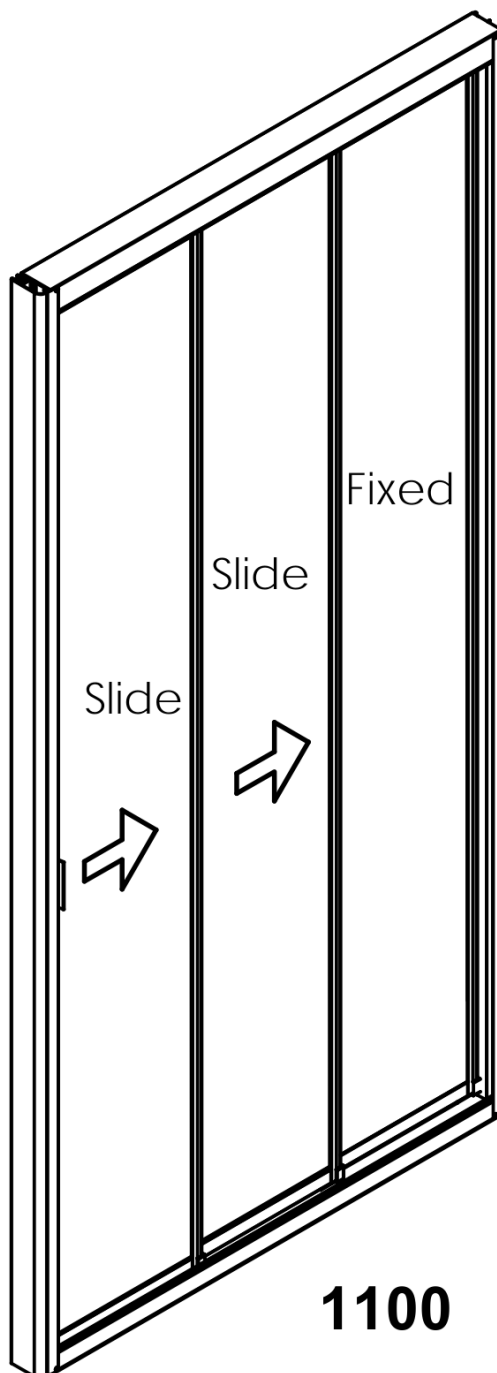
**1950**



**1000**

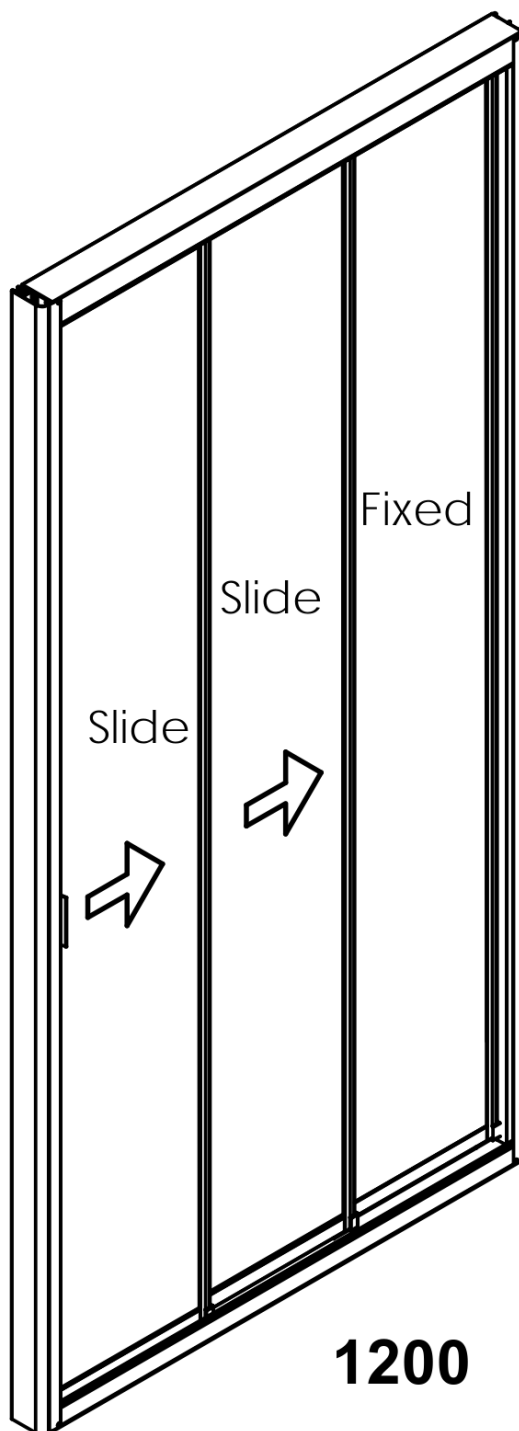
**FRAMED FRONT ONLY SLIDER**

**1950**

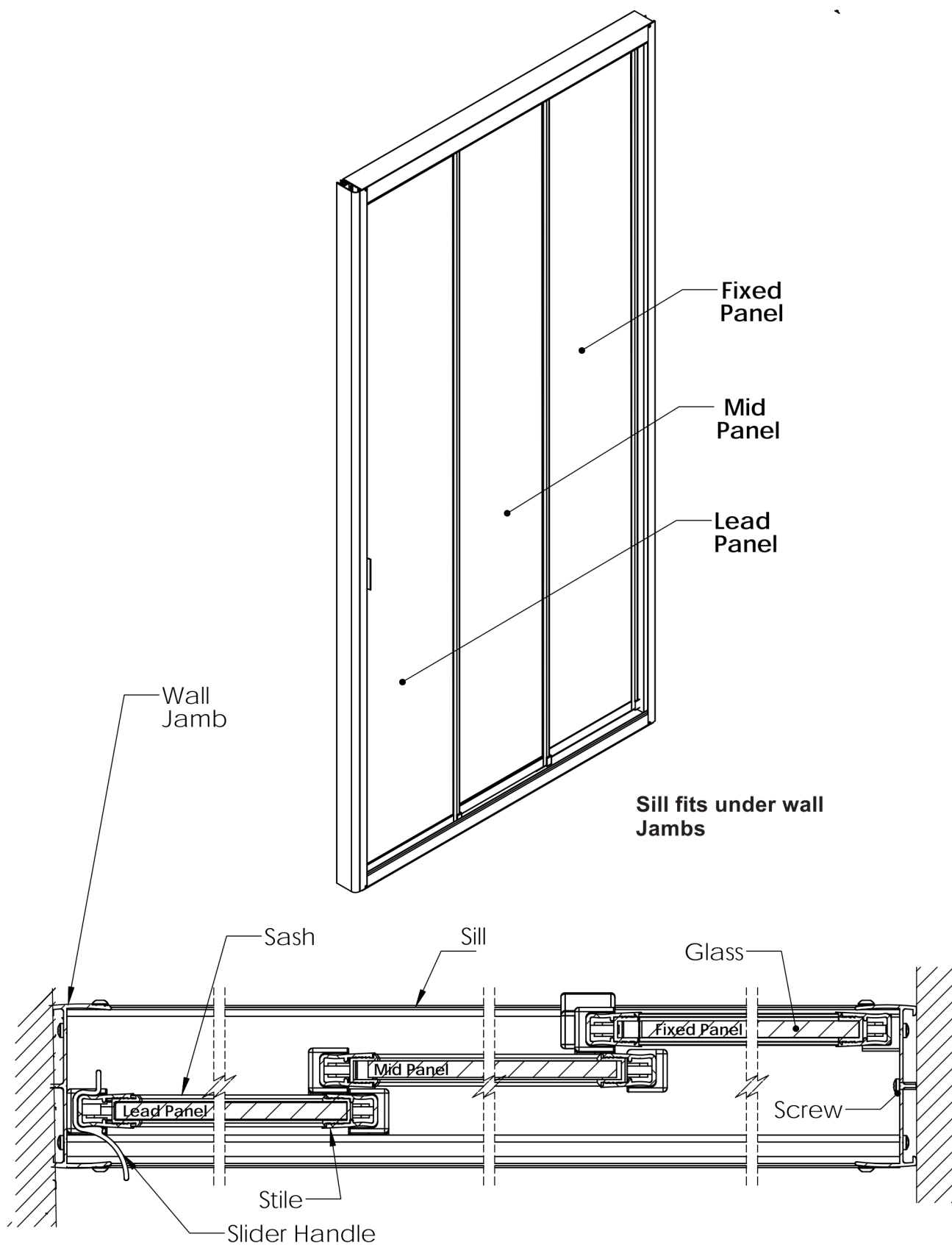


**FRAMED FRONT ONLY SLIDER**

**1950**

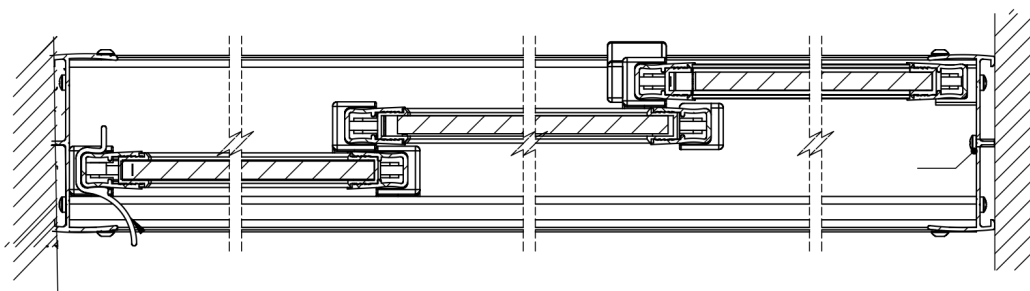
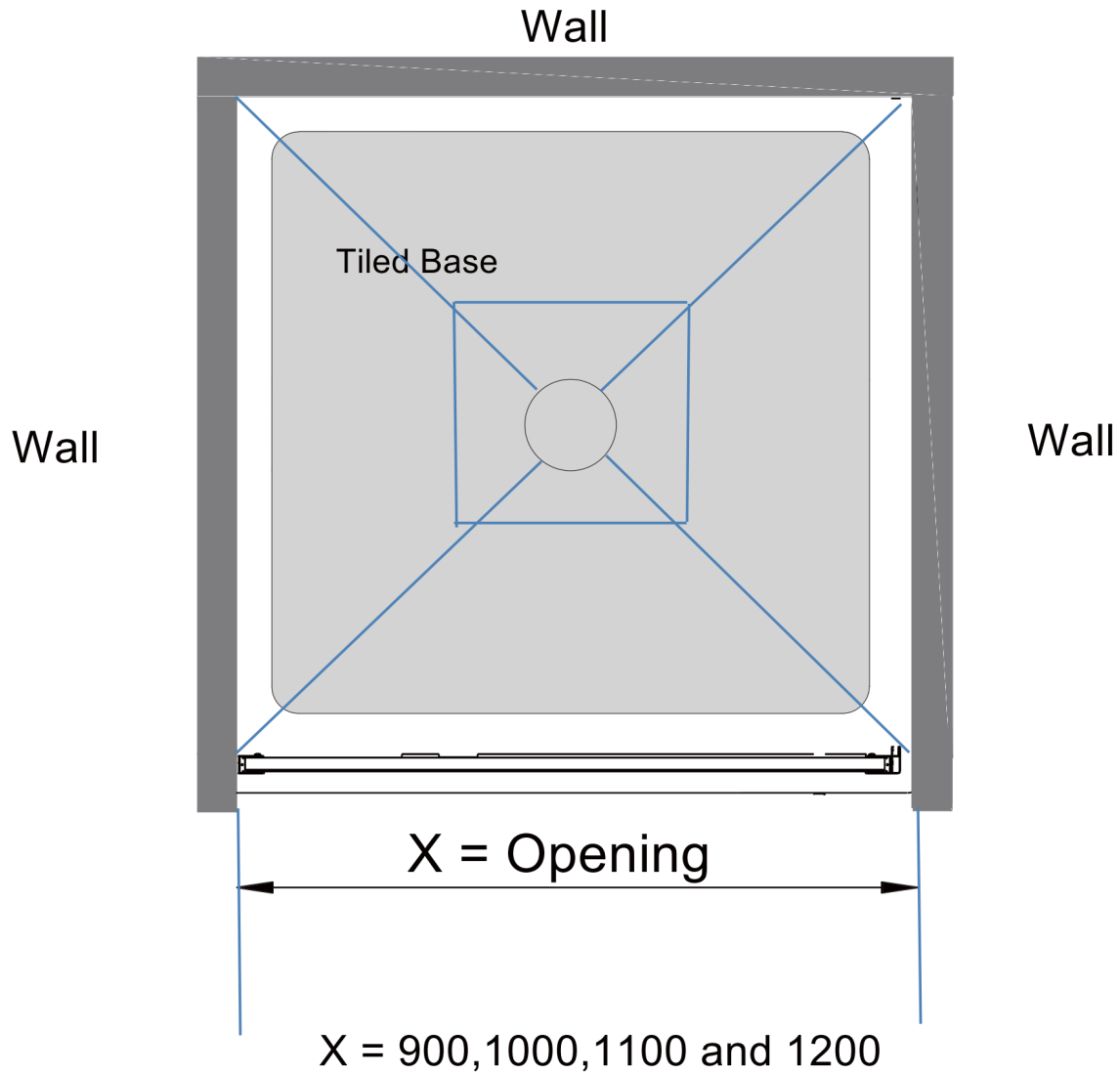


## FRAMED FRONT ONLY SLIDER



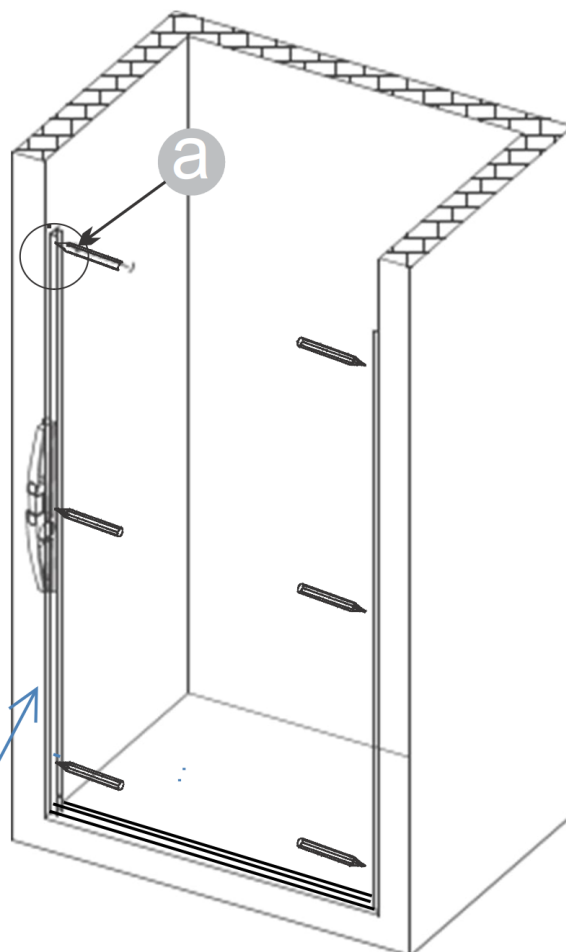
## FRAMED FRONT ONLY SLIDER

### Opening Measurements

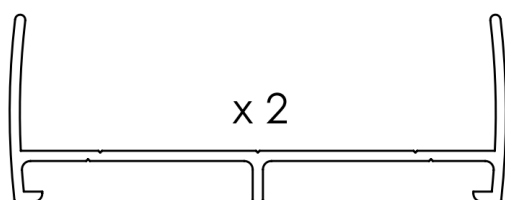


## FRAMED FRONT ONLY SLIDER

Both wall Jambd  
must be level

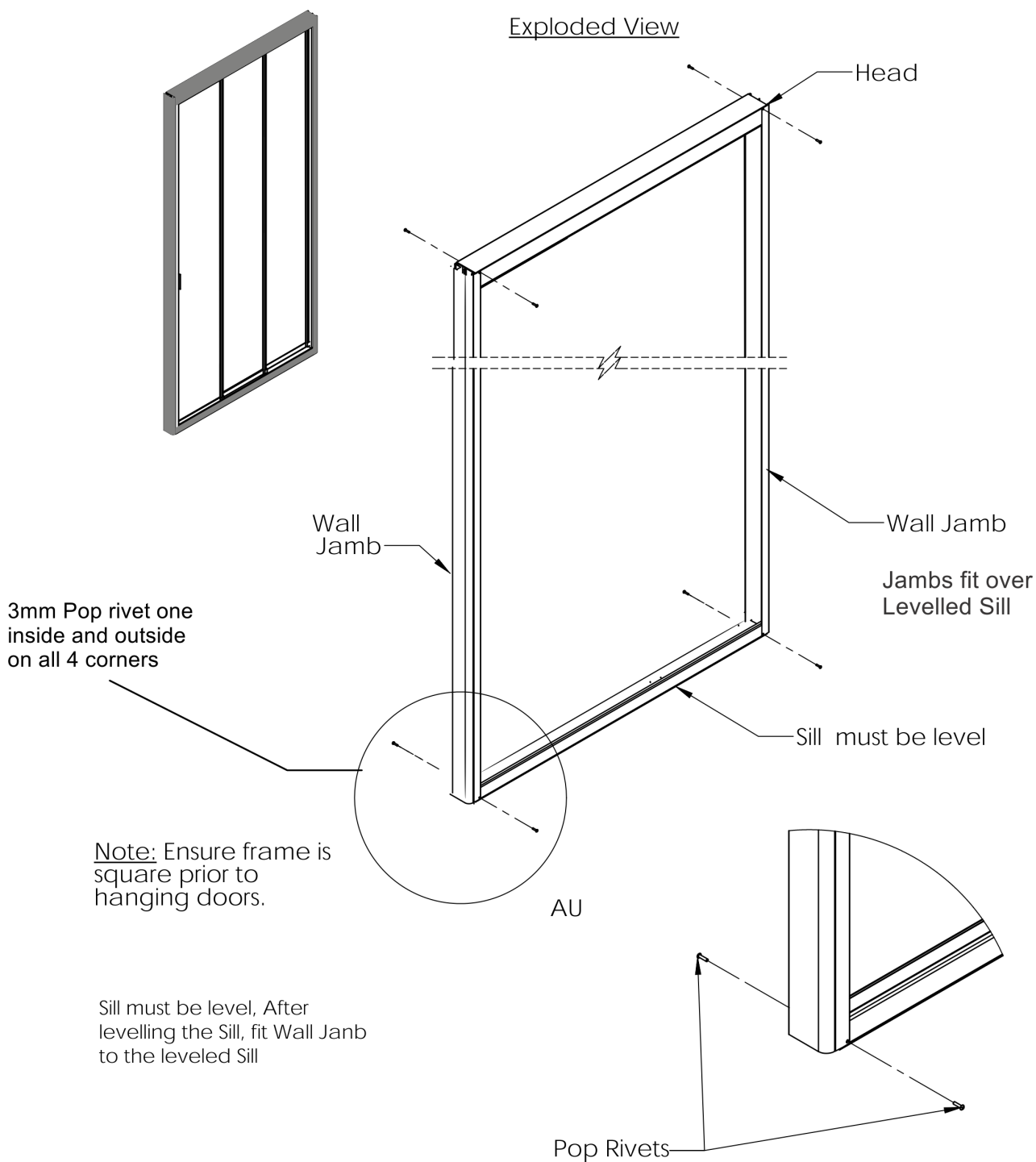


Sill must be level, After  
levelling the Sill, fit Wall Janb  
to the leveled Sill

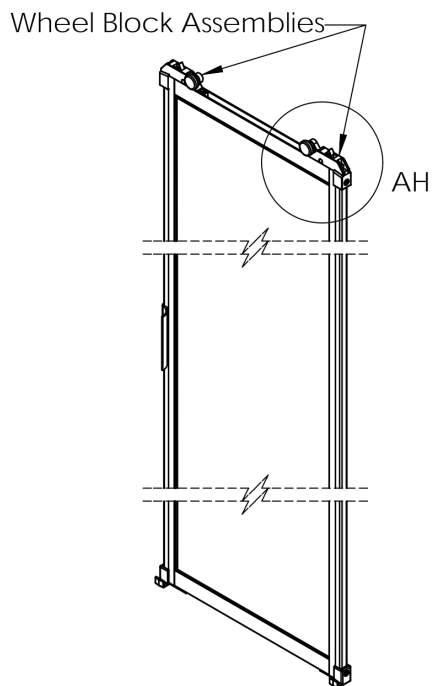


Wall Jamb

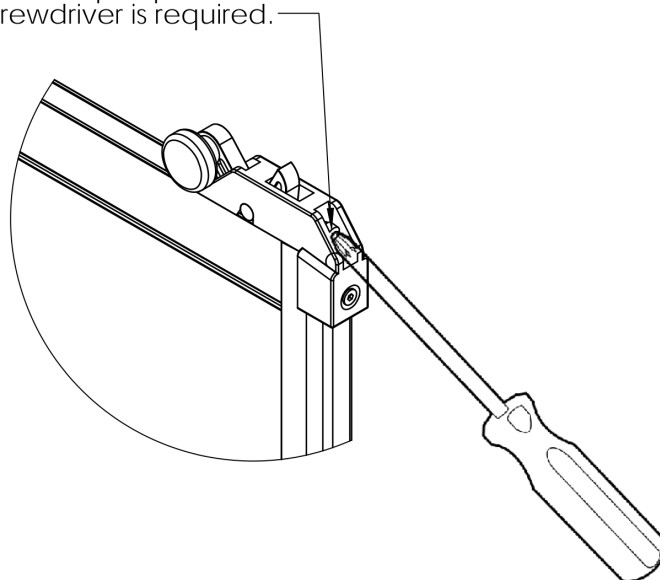
## FRAMED FRONT ONLY SLIDER



## FRAMED FRONT ONLY SLIDER

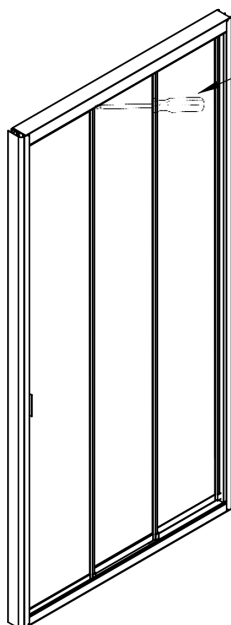


Panel adjustment via the screws located inside the wheel block. A long shafted phillips head screwdriver is required.



**Note:** Ensure frame is square prior to hanging doors.

Sill must be level, After levelling the Sill, fit Wall Janb to the leveled Sill



Insert screwdriver under the frame head to access the wheel block assembly and adjust as required.

**Note:** Taking the weight off the door while adjusting will make adjustments easier and avoid screw stripping the thread

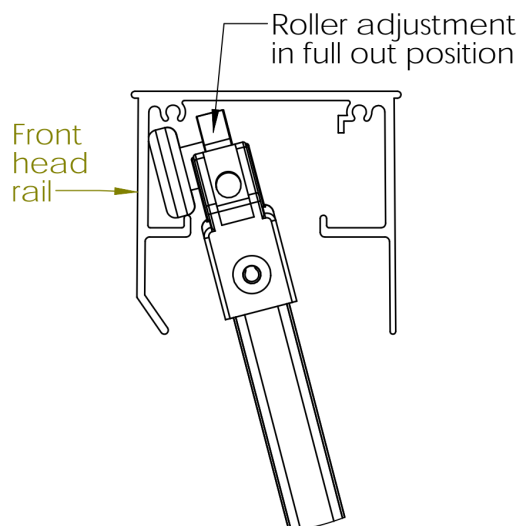
Clockwise lifts the door

Anticlockwise to lower door.

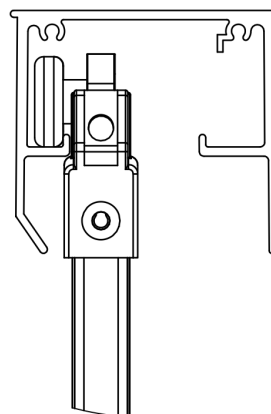


## FRAMED FRONT ONLY SLIDER

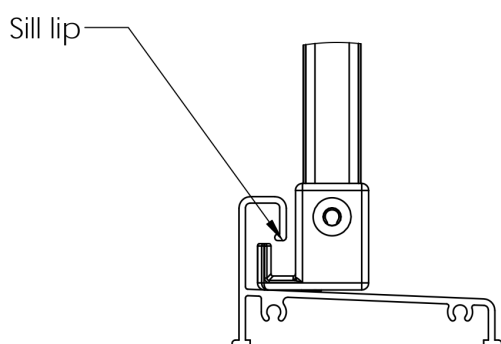
1. Tilt leading shower door inside shower head with roller adjustment in the full out position.



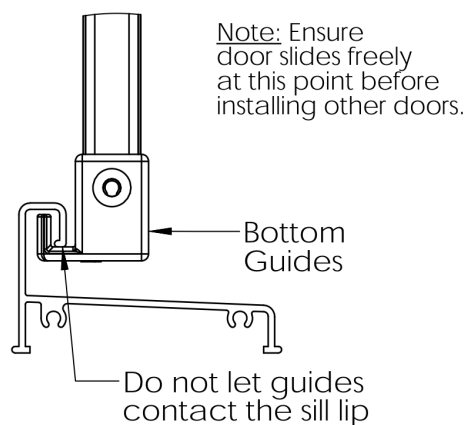
2. Once wheel block is positioned in the head track, tilt to straight position and drop into front head track.



3. Swing both guides of the lead shower door under the sill lip.

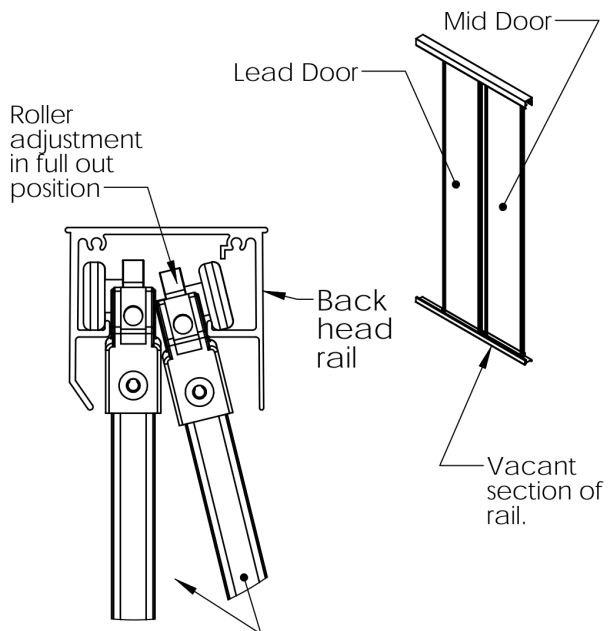


4. Taking the weight off the door adjust the roller to the full in position or as close as possible to the sill lip without touching it, making sure the bottom guides remain inside the sill lip.

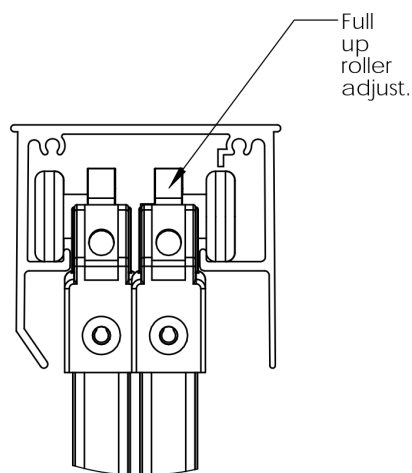


## FRAMED FRONT ONLY SLIDER

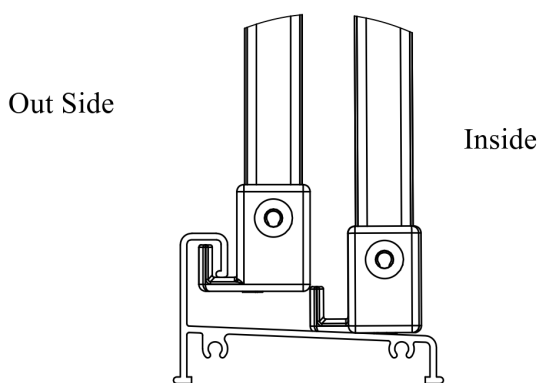
5. Insert mid shower door in tilted full down position to a vacant section at the back of the head rail.



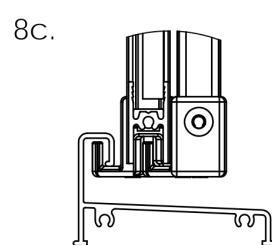
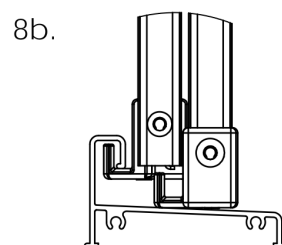
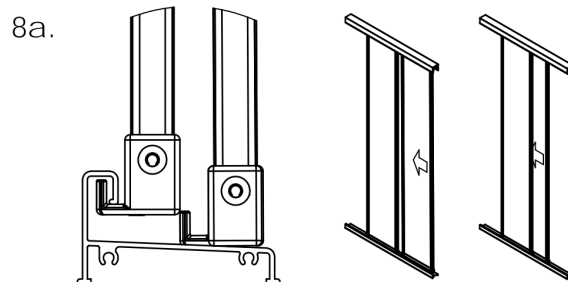
6. Once wheel block of the mid door is positioned in the head track, tilt to straight position and drop into the head track.



7. Swing front guide of the mid shower door to the back of the lead door guide.

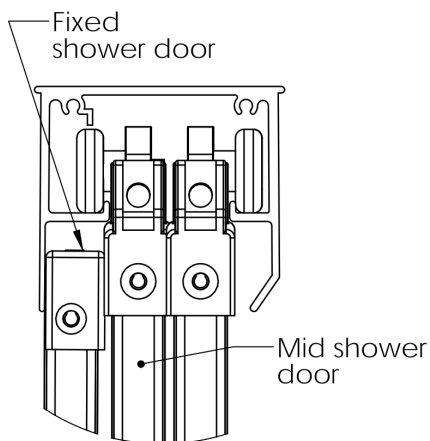


8. Slide mid door across the lead door (8a) until guide falls underneath the lead door sash (8b). Adjust mid door to the full up roller position (8c).

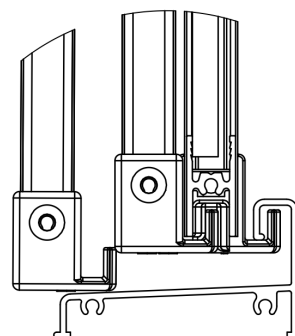


## FRAMED FRONT ONLY SLIDER

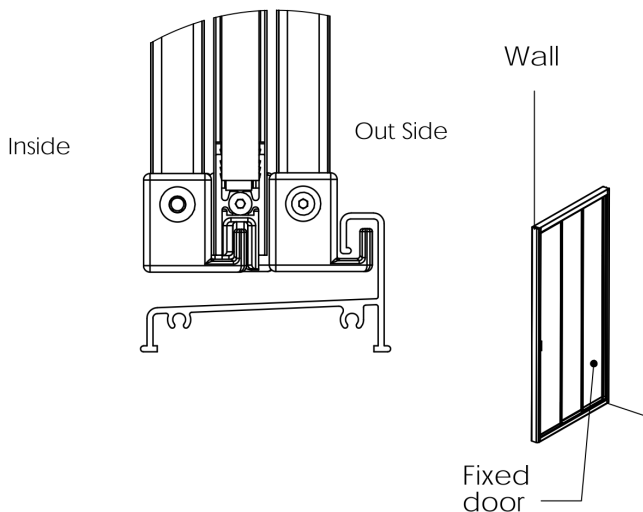
9. Insert fixed shower door in a slightly tilted position to the back of the head behind the mid shower door.



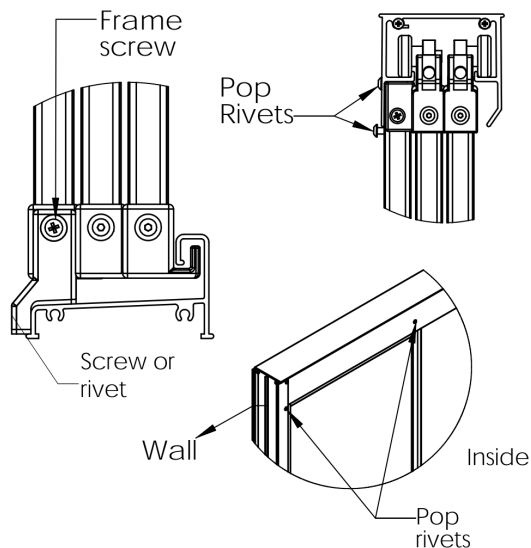
10. Push fixed door guide under the sash rail of the mid door.



11. Push fixed door up into mid door sash and slide fixed door to be square with the wall.

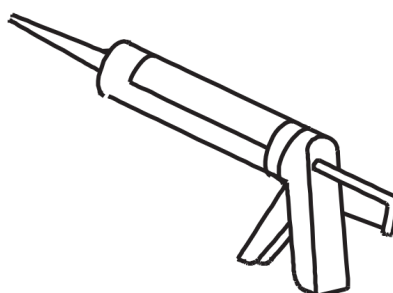
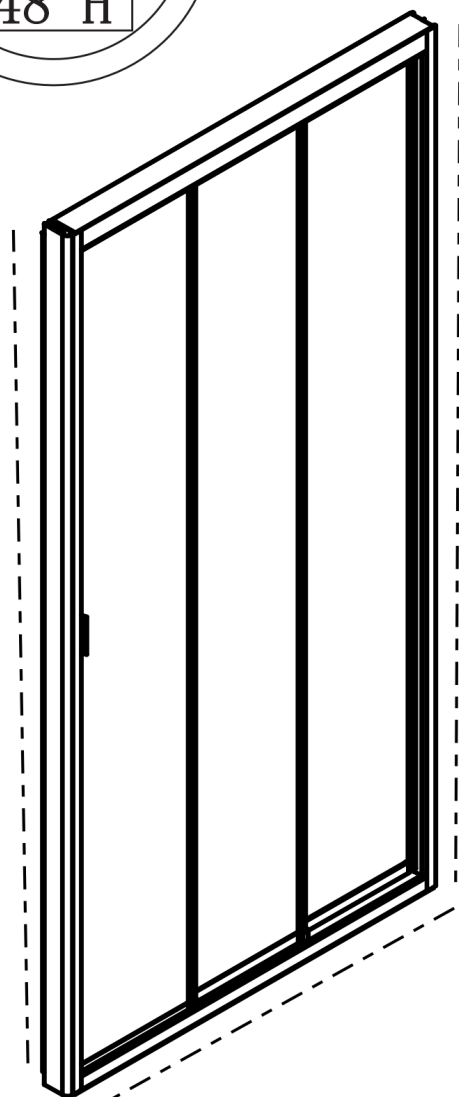


12. Attach door support under fixed door with frame screw and pop rivet panel to head where indicated.



# CREATIVE GLASS

## FRAMED FRONT ONLY SLIDER



Silicone down both wall jambs  
inside and out.  
Only silicone the sill on the  
outside

Silicone not Supplied

## **FRAMED FRONT ONLY SLIDER**

### **DETAILED CLEANING INSTRUCTIONS**

#### **Easy Clean Treated Glass**

After showering we strongly recommend you squeegee the glass to remove water from the surface.

A weekly clean using water and 30% vinegar or a mild detergent is all it takes to remove dirt, soap scum and other contaminants.

Spray the vinegar and water on the glass and wipe with a soft cloth, leave this on the surface for several minutes before rinsing and drying the glass.

#### **Aluminium Frame and Metal Components**

The simplest and most preferred method of cleaning your unit is by washing with clean water and drying with a soft cloth.

Do not use Abrasive powders, steel and Teflon pads or dirty and gritty rags. The anodised coating on the Aluminium is one of the hardest substances known, however, it will be damaged by strong acidic or alkaline solutions. These solutions may dull and discolour the finish.

The most reliable preventative measure to preserve your screen is to wipe the surface dry with a soft cloth after each use.