



äska Shower Mixer w/- Round Plate | Matte Black

Model RBA1110-643



Materials & Features

Commercial shower mixer is designed for public washrooms, aquatic centres, schools, change rooms, stadiums & surf clubs. Valve is activated by lifting the lever and turning left or right to achieve the desired temperature. Mixer is suitable for Accessible installations.

Technical Detail

| | |
|---------------------|--------------------------|
| Valve Body: | DZR Brass |
| Handle: | Chrome plated brass |
| Escutcheon: | Chrome plated brass |
| Inlet Connection: | 15mm BSP (1/2") |
| Outlet Connection: | 15mm BSP (1/2") |
| Operating Pressure: | Min: 100kPa Max: 500kPa |
| Finish: | Matte Black Electroplate |

Available Models

RBA1110-643 äska Shower Mixer w/- Round Plate | Matte Black

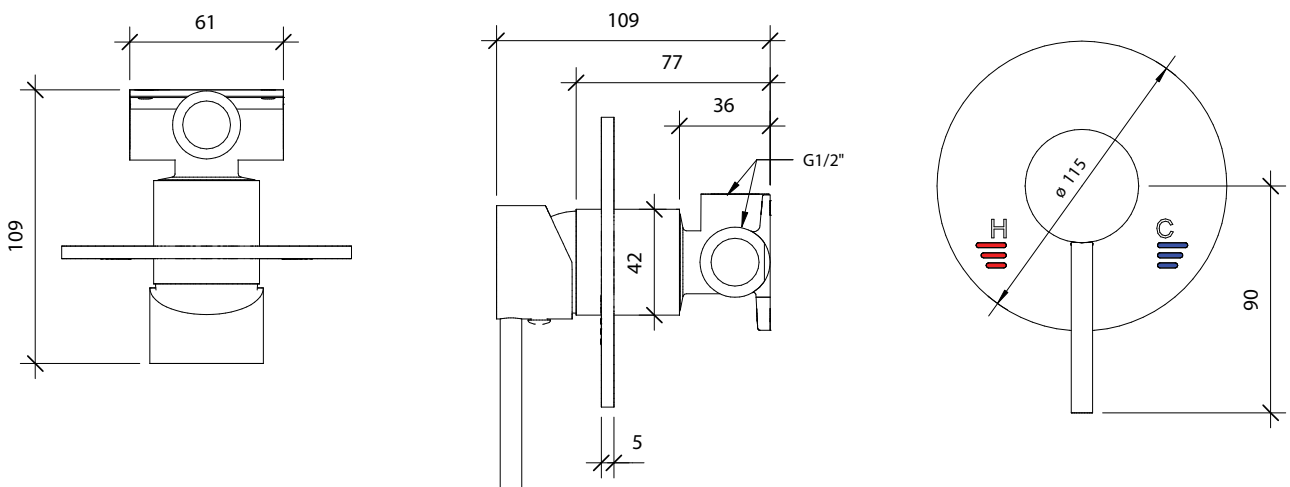
Related Products

RBA4601-068 Raffaello Shower 'T' Rail | Matte Black
RBA4110-999-014 ända Shower Rail Handset Slider | Matte Black
RBA4600-058 Raffaello Straight Grab Rail | Matte Black

Note: For Australia, Installation shall be in accordance with the PCA [Plumbing Code of Australia] and any relevant local authority requirements.

Important: Installation instructions and current rough-in details should be furnished with each fixture. Do not rough in without certified dimensions. Dimensions are subject to manufacturer's tolerance of +/-10mm.

* All dimensions in mm



As improvements in the design and performance of RBA products are continuous, specifications may be subject to change without notice. The illustrations and descriptions herein are applicable to production as of the date of this Technical Data Sheet. Revised 03/20 © 2020 by RBA Group TD/Model RBA1110-643/0320