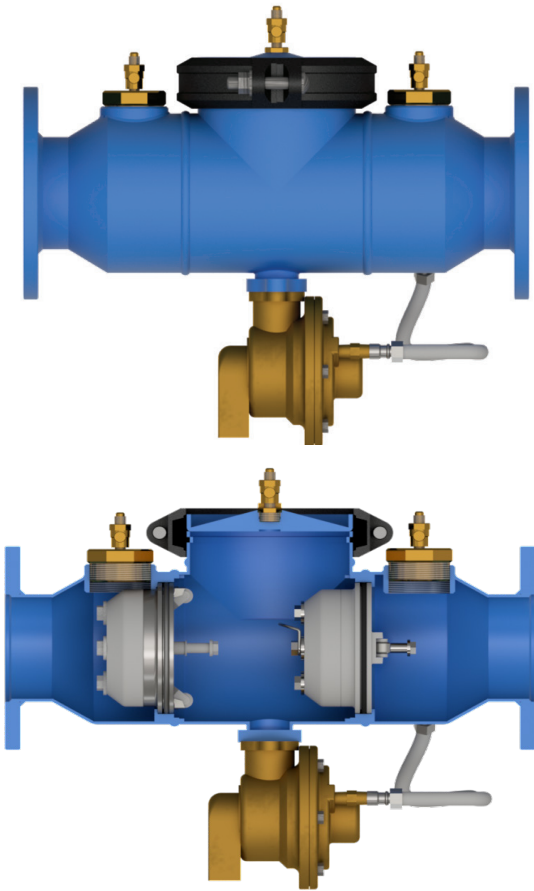


MODEL 375 SPD

TESTABLE REDUCED PRESSURE VALVE - TABLE D

Dimensional Data (mm) are Subject to Manufacturing Tolerances and Change Without Notice



ENGINEERING SPECIFICATION - MODEL 375 SPD

- Designed for installation on water lines in fire protection systems
- Protects against both back siphonage and back pressure of polluted water into the potable water supply
- Assembly provides protection where a potential health hazard does exist
- Installation should be governed by local codes
- Suitable clearance should be allowed for servicing
- The device does not need to be removed from the line for maintenance

PRODUCT INFORMATION

MODEL 375 SPD FEATURES

Max. Working Water Pressure	1200 kPa
Max. Working Temperature	60 Celsius

MODEL 375 SPD MATERIALS

Main Valve Body	Stainless Steel
Access Cover	Stainless Steel
Coating	Epoxy
Internals	Stainless Steel and NORYL
Fasteners	Stainless Steel
Elastomers	EPDM and Buna Nitrile
Springs	Stainless Steel
Flanges	Carbon Steel

STANDARDS COMPLIANCE

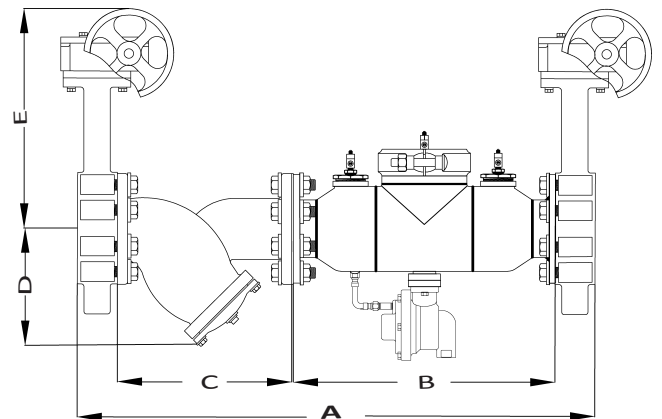
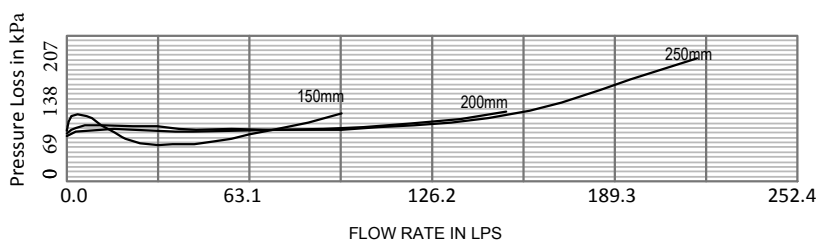
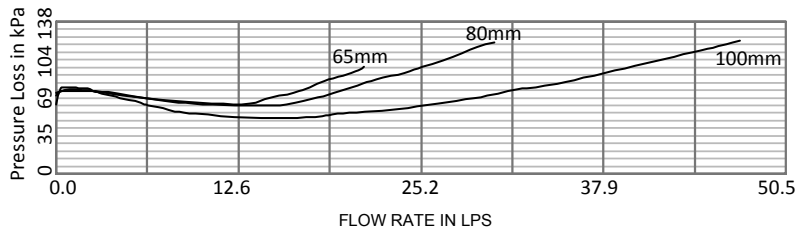
- Australian Watermark (AS/NZS 2845.1) Approved Lic. 1379
- Type Tested AS/NZS 4020 Lic. 20111



DIMENSIONS

DIMENSIONS IN MM									
SIZE	A	B	C	D	E	BOLT SIZE	BOLT LENGTH	BOLT/NUT	WEIGHT (kg)
65	902	509	290	139	150	M16	8x40mm	4x65mm	15
80	922	509	310	187	158	M16	8x40mm	4x65mm	15
100	972	519	350	199	176	M16	8x40mm	4x65mm	16
150	1237	644	480	264	212	M16	8x50mm	4x65mm	29

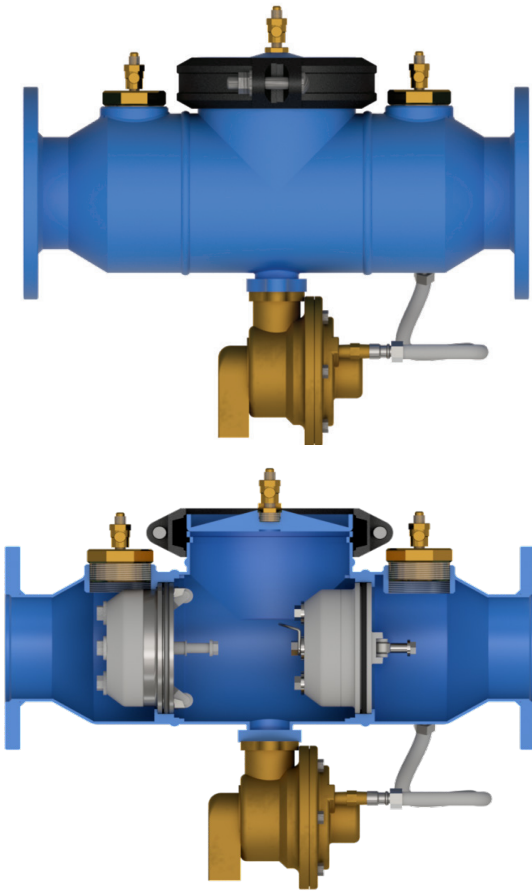
FLOW CHARACTERISTICS



MODEL 375 SPE

TESTABLE REDUCED PRESSURE VALVE - TABLE E

Dimensional Data (mm) are Subject to Manufacturing Tolerances and Change Without Notice



ENGINEERING SPECIFICATION - MODEL 375 SPE

- Designed for installation on water lines in fire protection systems
- Protects against both back siphonage and back pressure of polluted water into the potable water supply
- Assembly provides protection where a potential health hazard does exist
- Installation should be governed by local codes
- Suitable clearance should be allowed for servicing
- The device does not need to be removed from the line for maintenance

PRODUCT INFORMATION

MODEL 375 SPE FEATURES

Max. Working Water Pressure	1200 kPa
Max. Working Temperature	60 Celsius

MODEL 375 SPE MATERIALS

Main Valve Body	Stainless Steel
Access Cover	Stainless Steel
Coating	Epoxy
Internals	Stainless Steel and NORYL
Fasteners	Stainless Steel
Elastomers	EPDM and Buna Nitrile
Springs	Stainless Steel
Flanges	Carbon Steel

STANDARDS COMPLIANCE

- Australian Watermark (AS/NZS 2845.1) Approved Lic. 1379
- Type Tested AS/NZS 4020 Lic. 20111



DIMENSIONS

DIMENSIONS IN MM									
SIZE	A	B	C	D	E	BOLT SIZE	BOLT LENGTH	BOLT/NUT	WEIGHT (kg)
65	902	509	290	139	150	M16	8x40mm	4x65mm	15
80	922	509	310	187	158	M16	8x40mm	4x65mm	15
100	972	519	350	199	176	M16	16x40mm	8x65mm	16
150	1237	644	480	264	212	M20	16x50mm	8x65mm	29

FLOW CHARACTERISTICS

