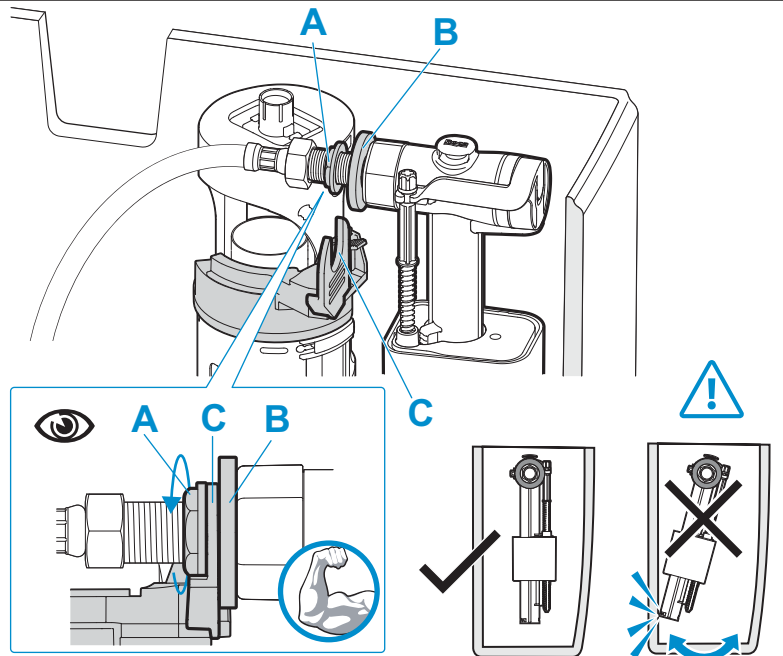
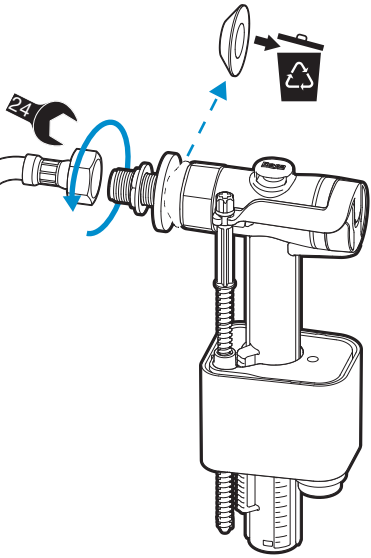
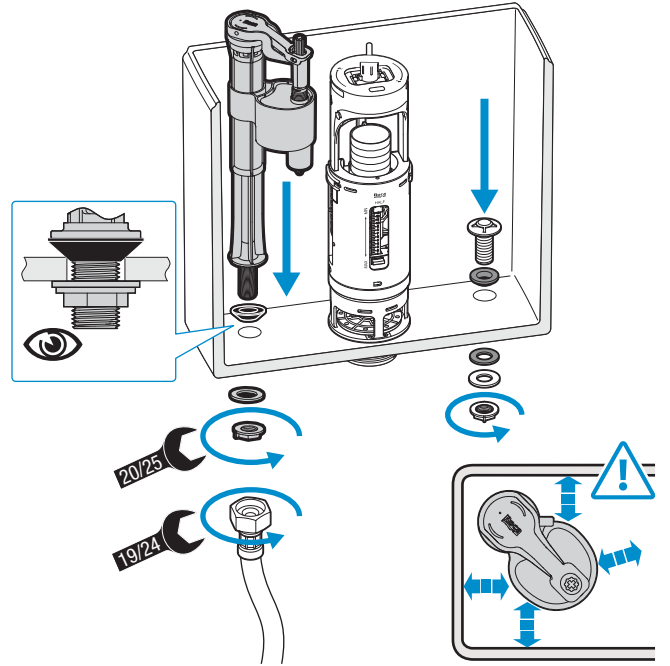
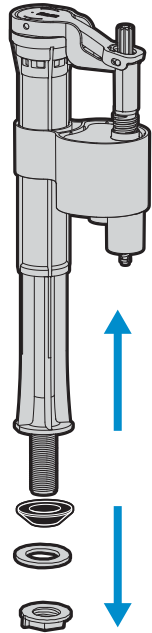
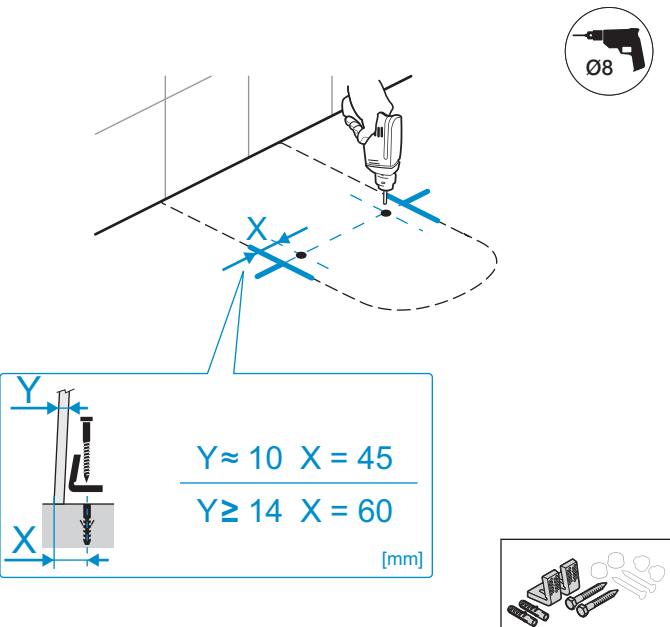


2

A



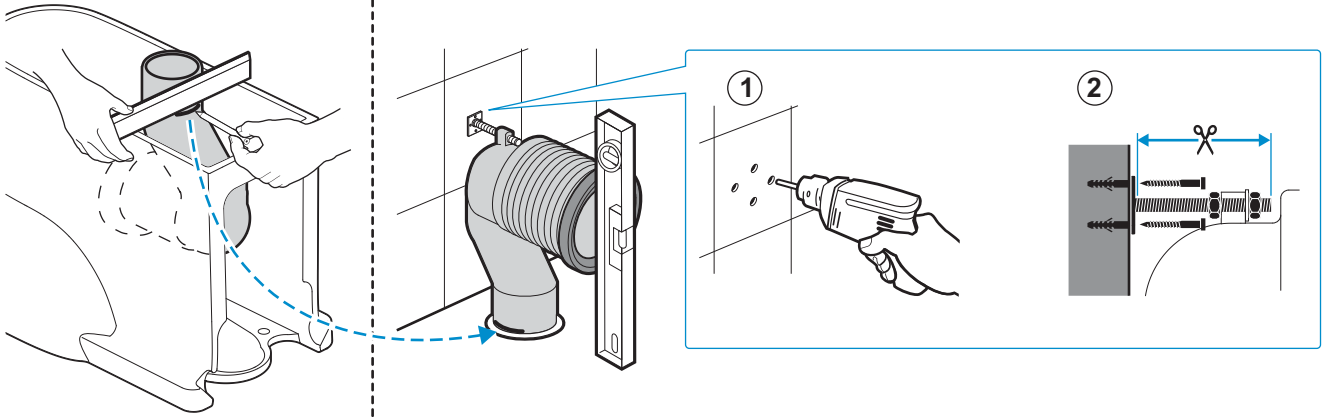
3



$Y \approx 10 \quad X = 45$   
 $Y \geq 14 \quad X = 60$


[mm]

4



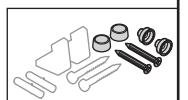
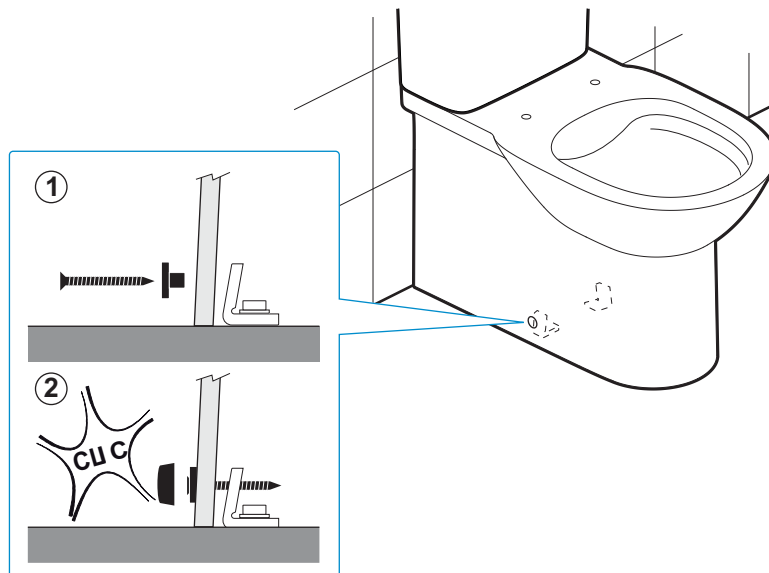
5



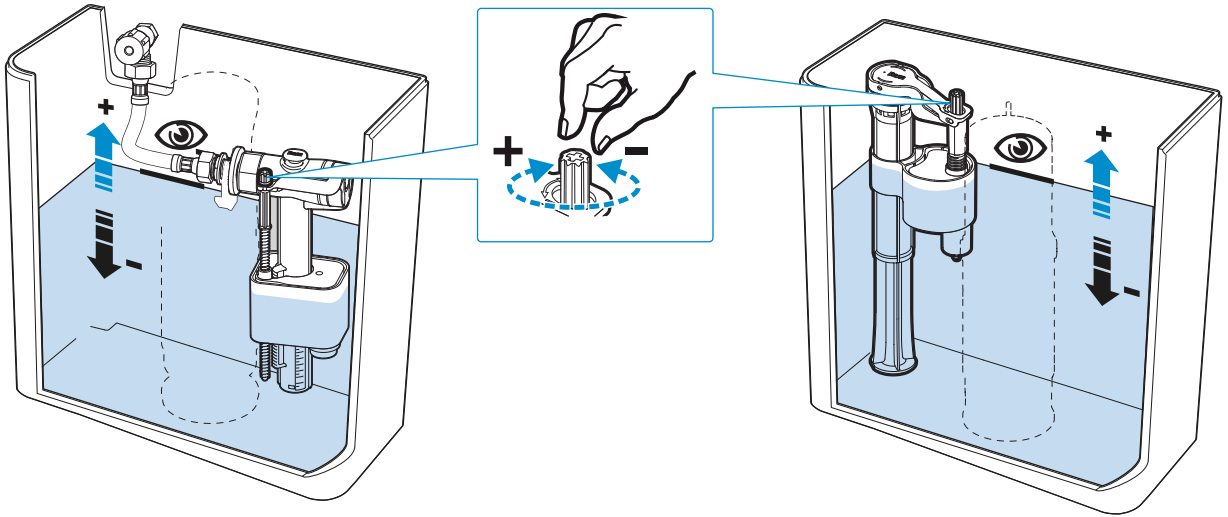
 Only a 600mm Elbow Hose Connection can be used, face mini stop outlet upwards to ensure minimal excess hose exposure

 DO NOT SUBMERGE HOSE IN WATER

6

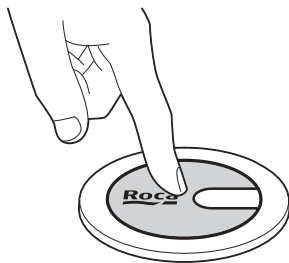
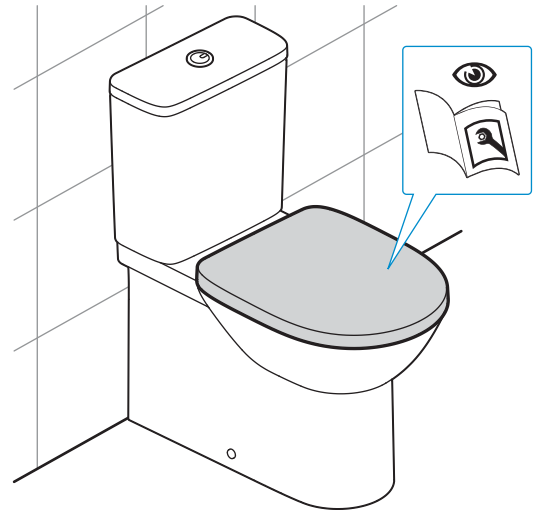
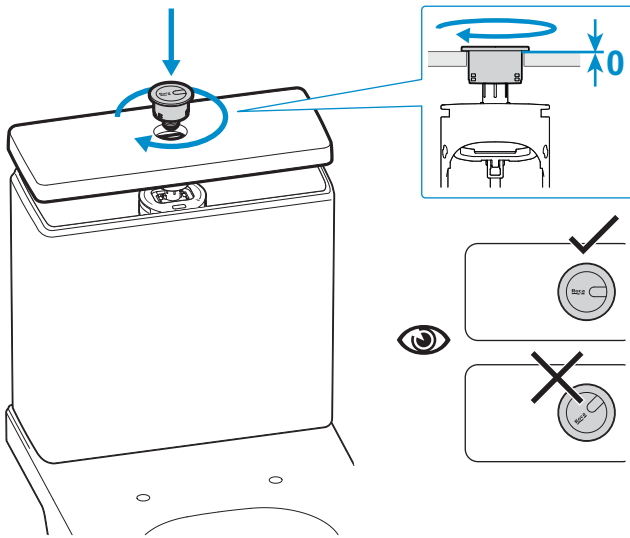


7



 DO NOT SUBMERGE HOSE IN WATER

8



6/4,5 L

3 L

