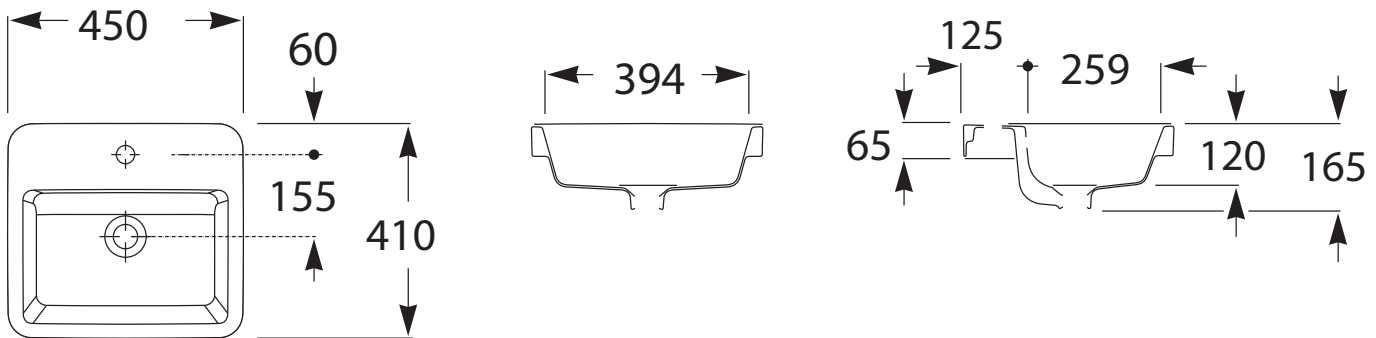




ROCA THE GAP SEMI INSET BASIN 450X410



Dimensions are nominal measurements only.

To see the complete ROCA range go to www.reece.com.au/bathrooms

SPECIFICATIONS

Recommended Use	Domestic, Hotel & Commercial
Material	Vitreous China
Colour	White
Capacity	4.9 Litres
Weight	10.3 kg
Taphole availability	1 Taphole
Overflow	Yes
Plug & Waste	Suits 32 x 40mm overflow waste (not supplied)
Fixing	Siliconed into position on the Benchtop
Additional Information	Cut out templates supplied.

CLEANING RECOMMENDATIONS

We recommend the use of soapy water or approved cleaners.

This product should not be cleaned with abrasive materials.

Damage caused by any improper treatment is not covered by the product warranty. Refer to Warranty Conditions.

Disclaimer: Products in this specification manual must by regulation be installed by licensed and registered trade people. The manufacturer/distributor reserves the right to vary specifications or delete models from their range without prior notification. Dimensions are nominal measurements only. Dimensions and set-outs listed are correct at time of publication however the manufacturer/distributor takes no responsibility for printing errors.

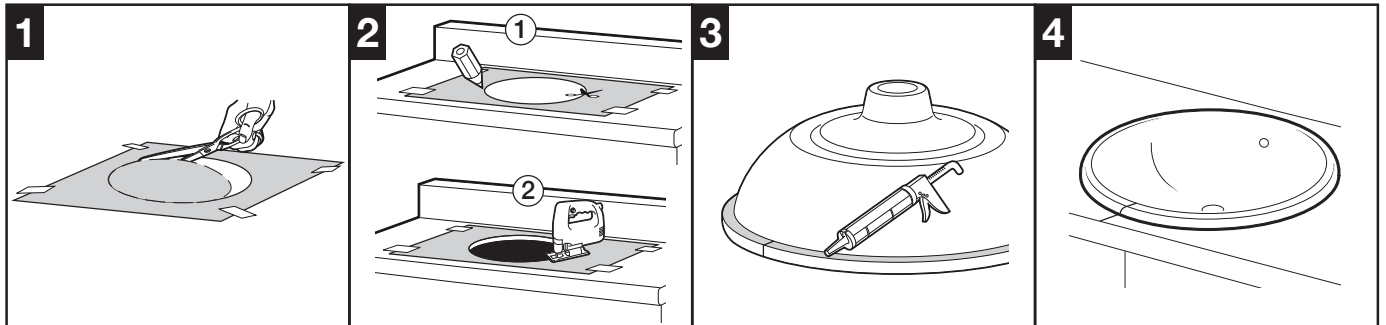
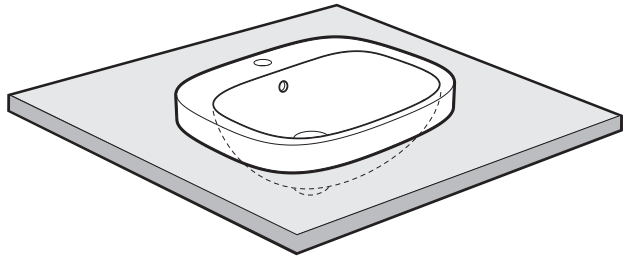
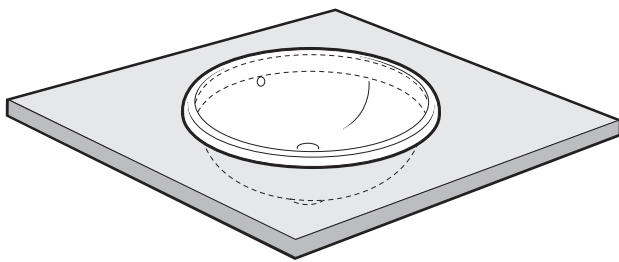
Published 27/05/2020





ROCA THE GAP SEMI INSET BASIN 450X410

INSTALLATION INSTRUCTIONS



Plumbers, please ensure a copy of the Installation Instructions are left with the end user for future reference

