



Roca

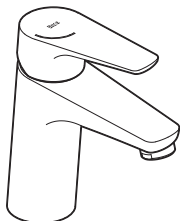
ATLAS



AS/NZS 3718
WMKA 25255



A5A3290C0A

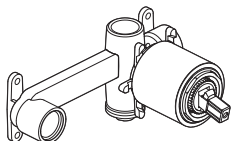


WATER RATING
www.waterrating.gov.au

6 litres per minute

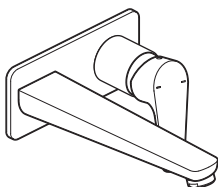
In accordance with AS/NZS 6400
Licence No. 0137
Bathroom Products Australia

A525220903



+

A5A3590C0A

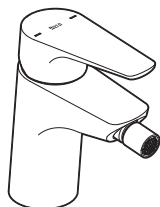


WATER RATING
www.waterrating.gov.au

7.5 litres per minute

In accordance with AS/NZS 6400
Licence No. 0137
Bathroom Products Australia

A5A6290C0A

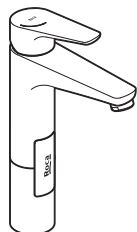


WATER RATING
www.waterrating.gov.au

4.5 litres per minute

In accordance with AS/NZS 6400
Licence No. 0137
Bathroom Products Australia

A5A3790C0A

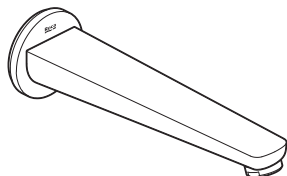


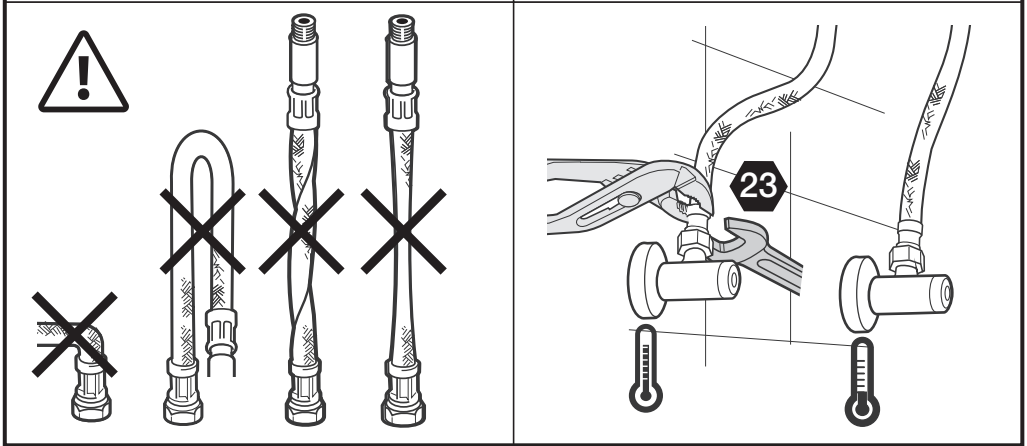
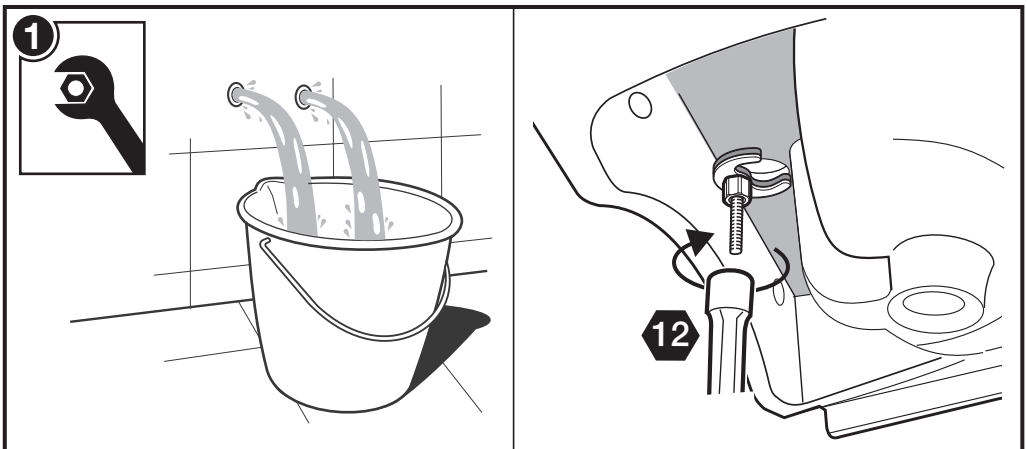
WATER RATING
www.waterrating.gov.au














6 litres per minute

In accordance with AS/NZS 6400
Licence No. 0137
Bathroom Products Australia

A5A0903C0A

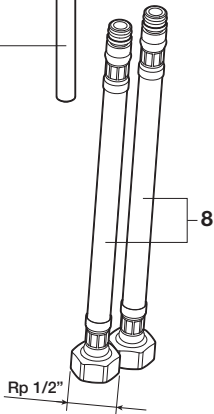
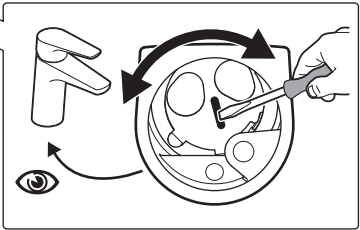
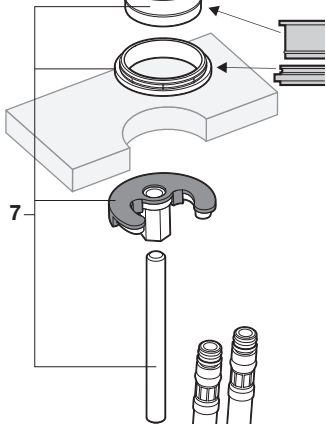
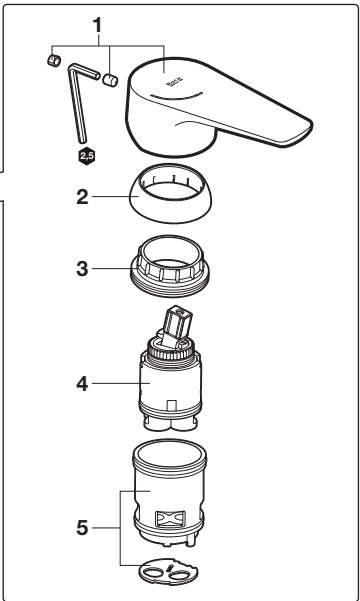
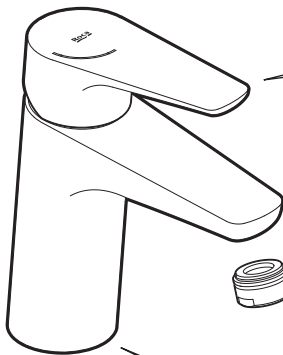




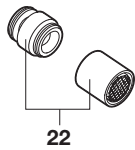
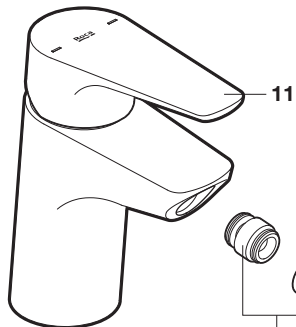
 P 	P kPa	 1000 MAX.	
 P 	P kPa	100 MIN.  500 MAX.	200  
  T	°C	 - 80 MAX.	 - 65 - 50 



A5A3290C0A



A5A6290C0A

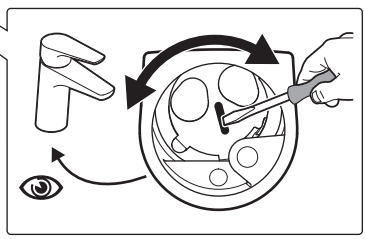
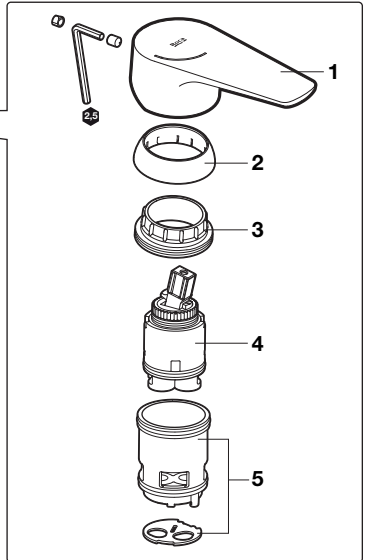
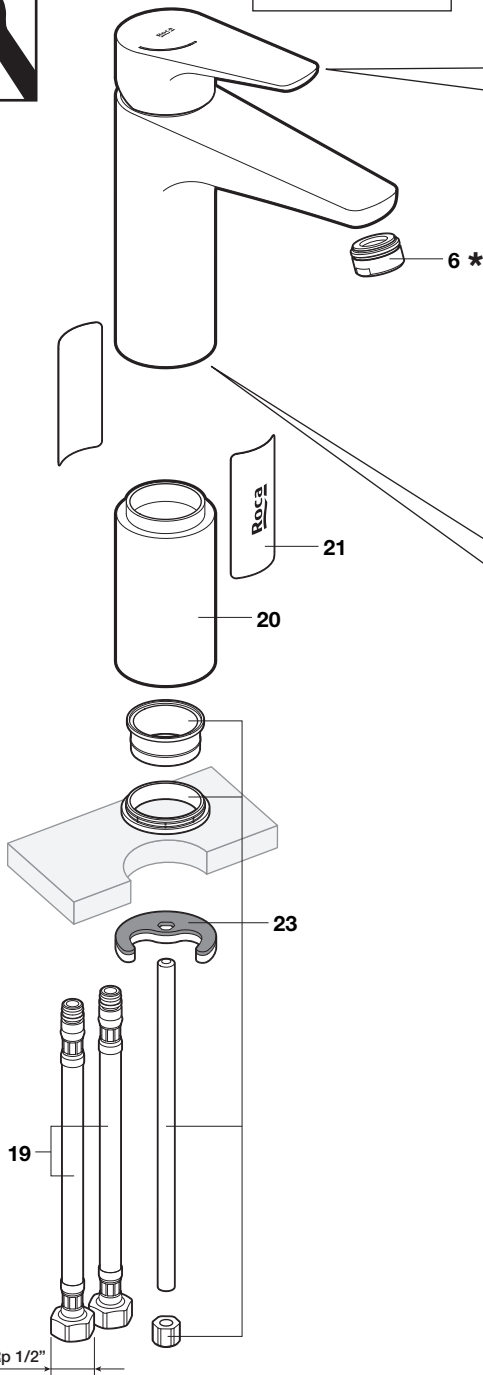


*The aerator/flow controller is pre-fitted.

3

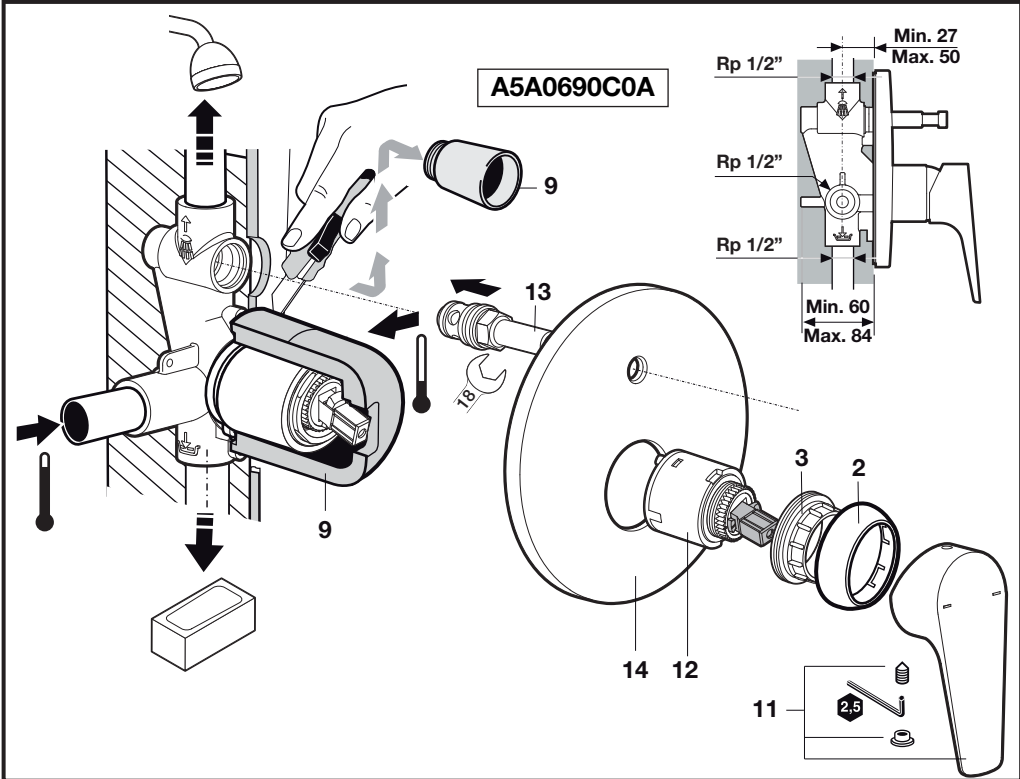
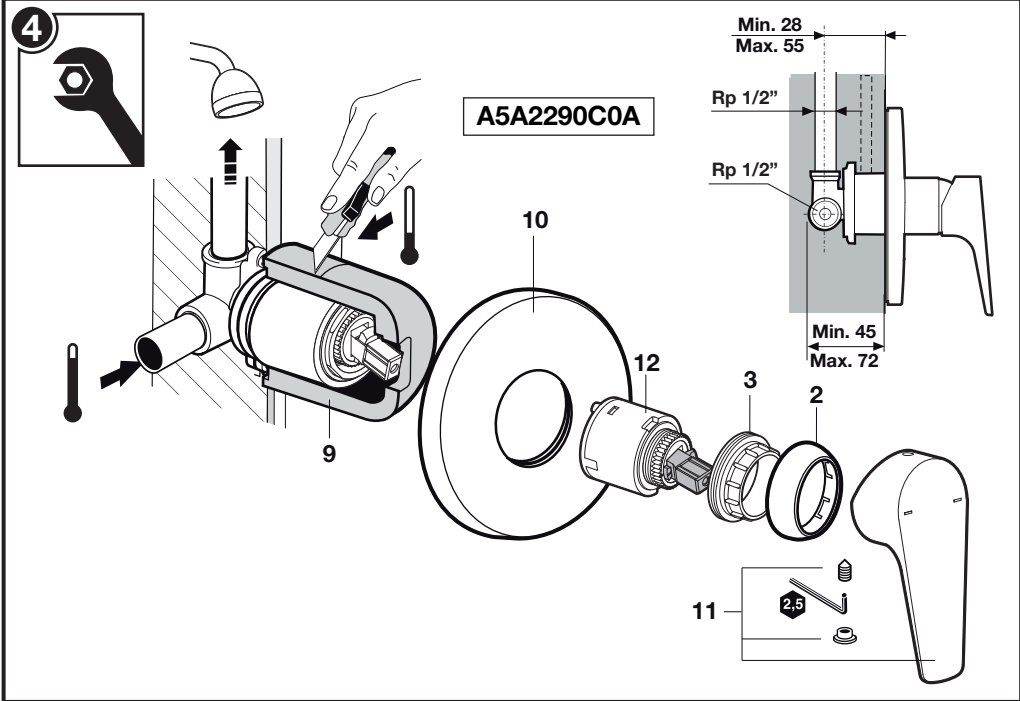


A5A3790C0A



Rp 1/2"

*The aerator/flow controller is pre-fitted.

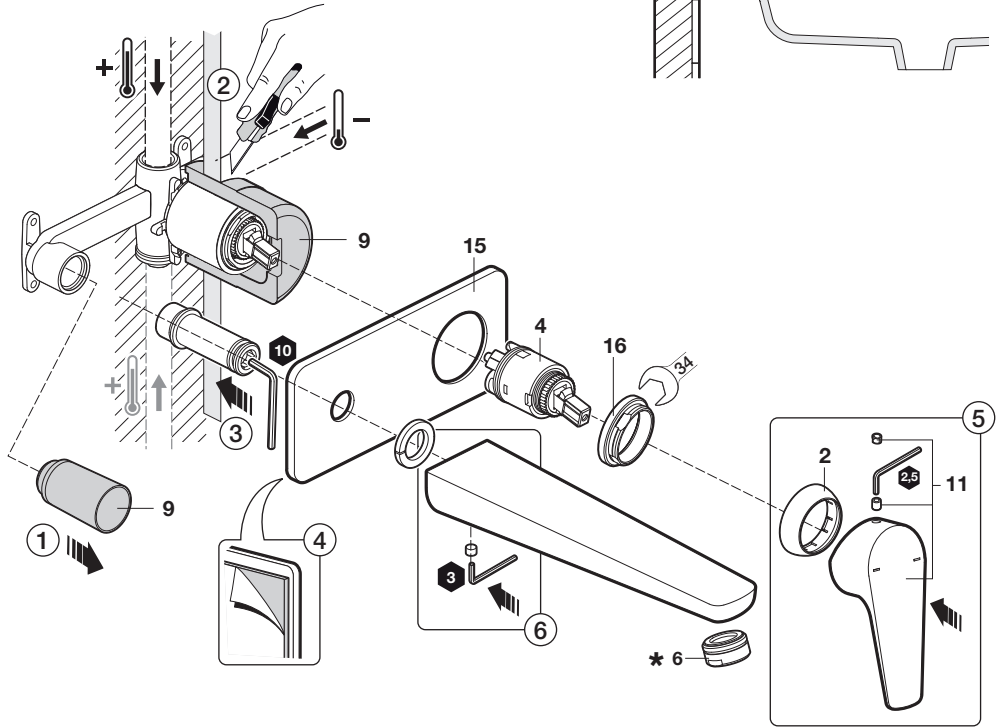
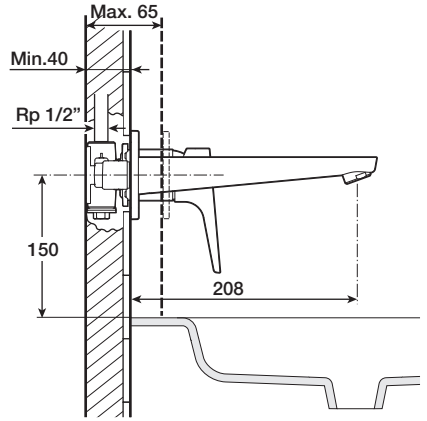




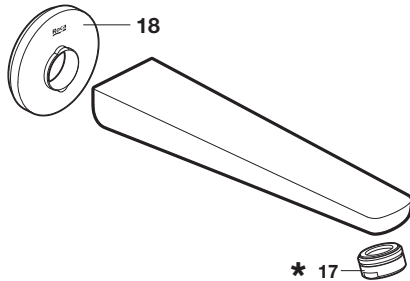
A525220903



A5A3590C0A



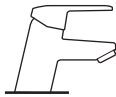
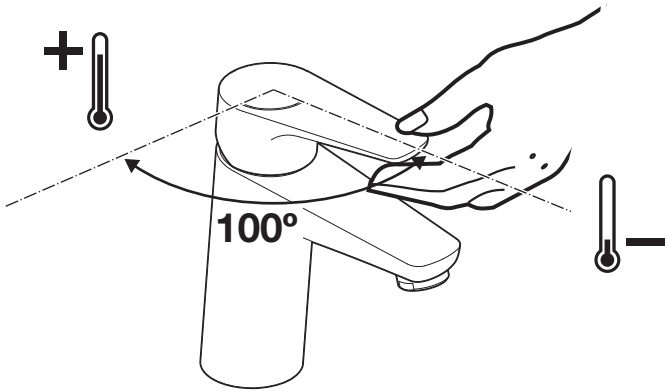
A5A0903C0A



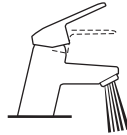
*The aerator/flow controller is pre-fitted.

* 17

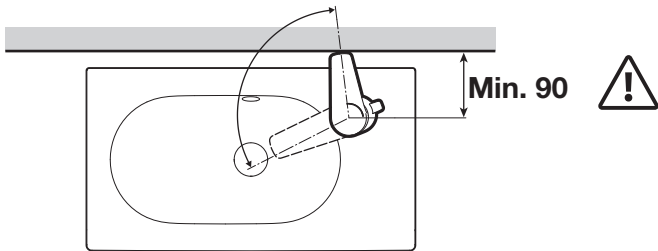
6



0%



100%



Min. 90



1 - AG0116100R

2 - AG0085300R

3 - A525023507

4 - AG0141207R

5 - AG0116200R

6 - AG0110900R

7 - A525004403

8 - AG0110109R

9 - AG0001907R

10 - AG0119500R

11 - AG0116309R

12 - AG0110607R

13 - AG0110700R

14 - AG0119600R

15 - AG0142300R

16 - AG0142100R

17 - A525004700

18 - AG0145700R

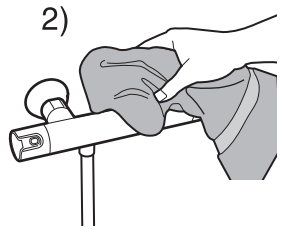
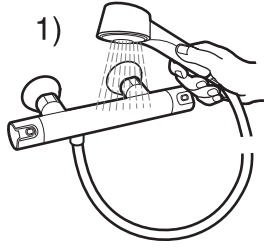
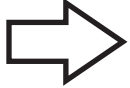
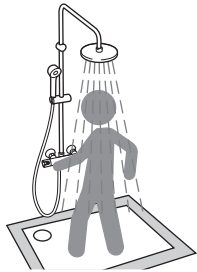
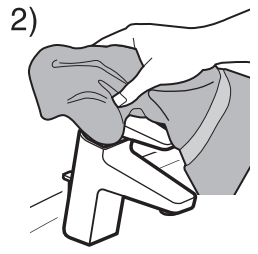
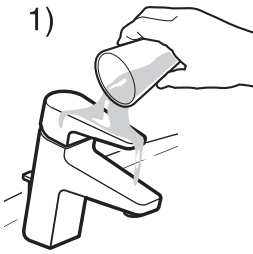
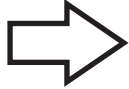
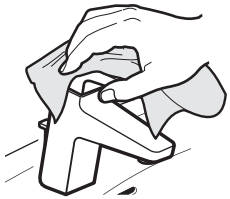
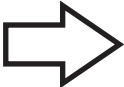
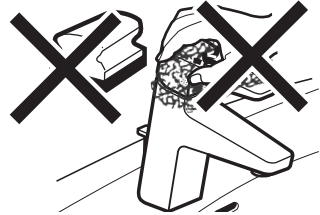
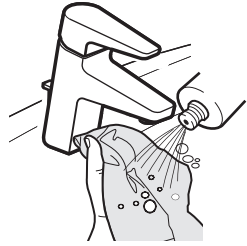
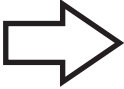
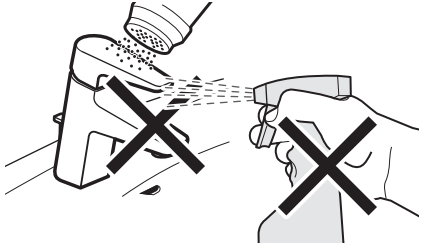
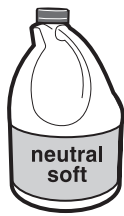
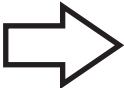
19 - A525728008

20 - AG0117400R

21 - AG0117207R

22 - AG0032300R

23 - A525030303





Roca Sanitario, S.A.

Avda. Diagonal, 513
08029 Barcelona
SPAIN

www.roca.com.au/



productsupport.rs@roca.net
soporteproducto.rs@roca.net

A563090507e