

Mizu Drift Mk2 Wall Bath Mixer Set 200mm

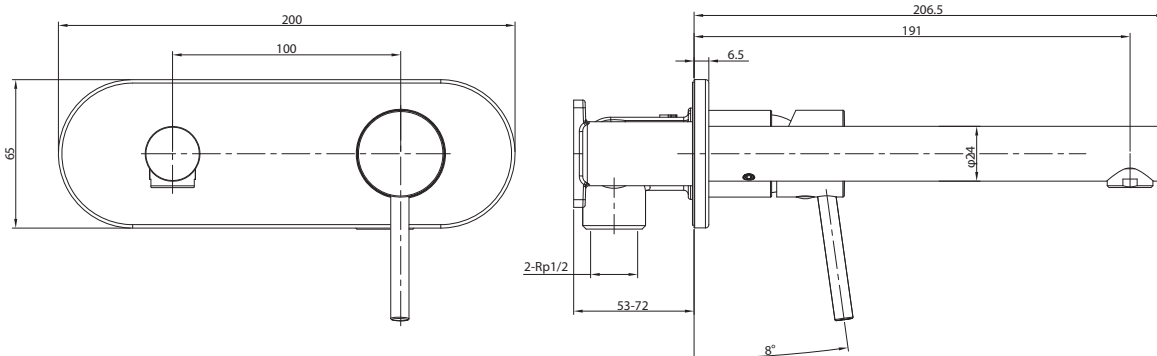
SPECIFICATIONS

Recommended Use	Domestic, hotel and commercial
Colour Availability	Chrome, Matte Black, Brushed Nickel, Brushed Gold
Material	Brass
Cartridge Type	Ceramic Disc
Recommended Pressure Range	150 - 500 kPa
Max Continuous Working Pressure	1000 kPa
Max Continuous Working Temperature	65 deg C
Suitable for Storage Tank Hot Water	Yes
Suitable for Continuous Flow Hot Water	Yes
Suitable for Gravity Feed Hot Water	No

WARRANTY

Warranty - Domestic Use	10 Years
Parts & Labour	12 Months

Please refer to Warranty Page for full Terms and Conditions



Dimensions are nominal measurements only.

Disclaimer: Products in this specification manual must by regulation be installed by licensed and registered trade people. The manufacturer/distributor reserves the right to vary specifications or delete models from their range without prior notification. Dimensions are nominal measurements only. Dimensions and set-outs listed are correct at time of publication however the manufacturer/distributor takes no responsibility for printing errors.

Published 04/12/2018

