

# MILLI GLANCE WALL BASIN OUTLET

## INSTALLATION INSTRUCTIONS

### Milli Glance Wall Spout Installation Instruction

#### WATER SUPPLY REQUIREMENTS

To ensure optimum performance and customer satisfaction please adhere to the following:

- Maximum hot water temperature 75 C.
- Recommended minimum working pressure 150kPa.
- Recommended maximum working pressure 500kPa.

If the water pressure exceeds or is likely to exceed 500kPa, an approved pressure limiting valve must be fitted.

- Flush out all pipe work prior to installation.
- If the water temperature exceeds 75 C an approved tempering valve must be fitted.
- Installation should comply with Australian standard AS3500.1 or relevant local authority requirements.

Failure to comply with the above may void all warranties.

#### Guarantee

This product is guaranteed against faulty workmanship and materials for 1 year from the date of purchase. Installation must be done by a licensed plumber or this guarantee will be void.

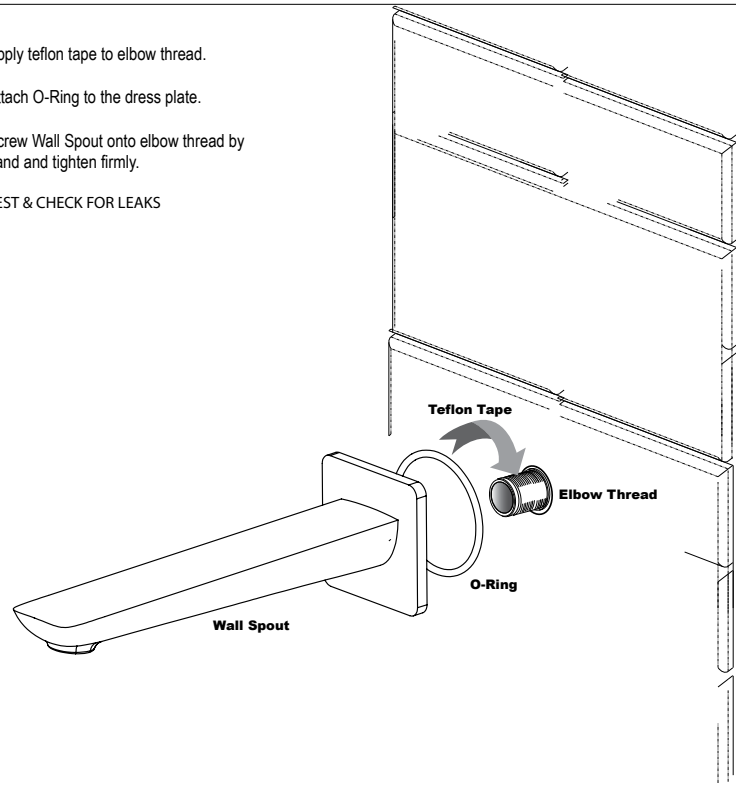
#### Maintenance and Care

Do not use cleaning agents containing a corrosive acid or scouring agent.

Do not use cream cleaners, as they are abrasive. Surfaces should only be cleaned with a cloth and clear water of mild liquid detergent. Use of unsuitable cleaning agents may damage the surface.

- Apply teflon tape to elbow thread.
- Attach O-Ring to the dress plate.
- Screw Wall Spout onto elbow thread by hand and tighten firmly.

TEST & CHECK FOR LEAKS



IN0132 revA

Plumbers, please ensure a copy of the installation instructions is left with the end user for future reference.