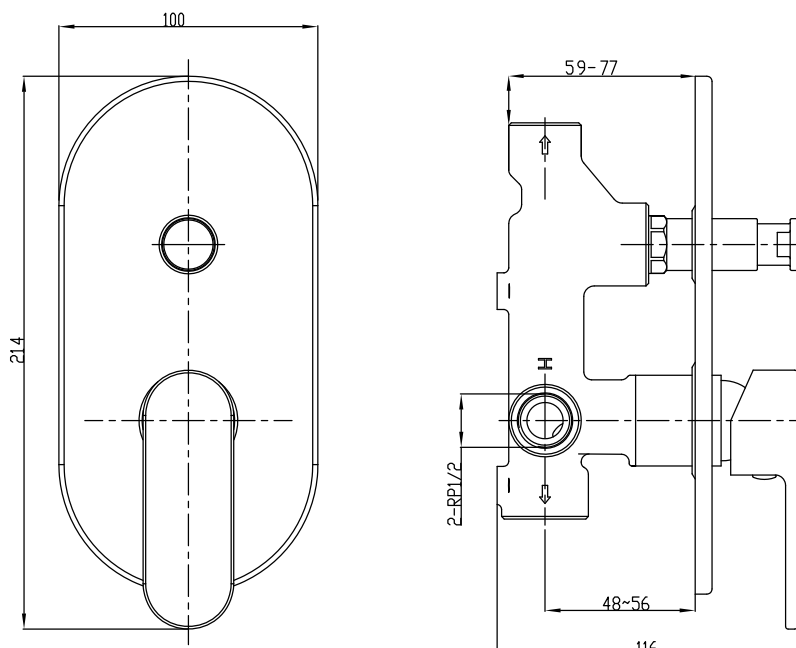


# MIZU

## SOOTHE SHOWER MIXER WITH DIVERTER



Dimensions are nominal measurements only.

### SPECIFICATIONS

<b>Recommended use</b>	Domestic, Hotel and Commercial
<b>Colour availability</b>	Black
<b>Pressure rating</b>	Maximum continuous operating pressure 1000kPa. Note: As per AS/NZS3500 pressure must be limited to 500kPa on any new home, extension or renovation. Note: For best performance and longer life we recommend an operating pressure between 150-500 kPa
<b>Temperature rating</b>	Maximum continuous working temperature 65°
<b>Suitable Hot Water Units</b>	Storage tank: Yes Continuous Flow: Yes Gravity Feed: Not recommended
<b>Standards</b>	AS/NZS 3718



To see the complete Mizu range go to [www.reece.com.au/bathrooms](http://www.reece.com.au/bathrooms)

### CLEANING RECOMMENDATIONS

We recommend the use of soapy water or approved cleaners.

This product should not be cleaned with abrasive materials.

Damage caused by any improper treatment is not covered by the product warranty - refer to Warranty Conditions.



**Disclaimer:** Products in this specification manual must by regulation be installed by licensed and registered trade people. The manufacturer/distributor reserves the right to vary specifications or delete models from their range without prior notification. Dimensions are nominal measurements only. Dimensions and set-outs listed are correct at time of publication however the manufacturer/distributor takes no responsibility for printing errors.

Tech Page Version 1

m i z u **reece**

# MIZU

## SOOTHE SHOWER MIXER WITH DIVERTER

### INSTALLATION INSTRUCTIONS

#### Important Note

Mixer must be installed to the requirement of AS/NZS 3500 by a licensed plumber. Your mixer comes to you factory assembled and tested. We do not recommend the dismantling of any internal part of the mixer. The mixers are factory tested and sealed so as to give the best performance.

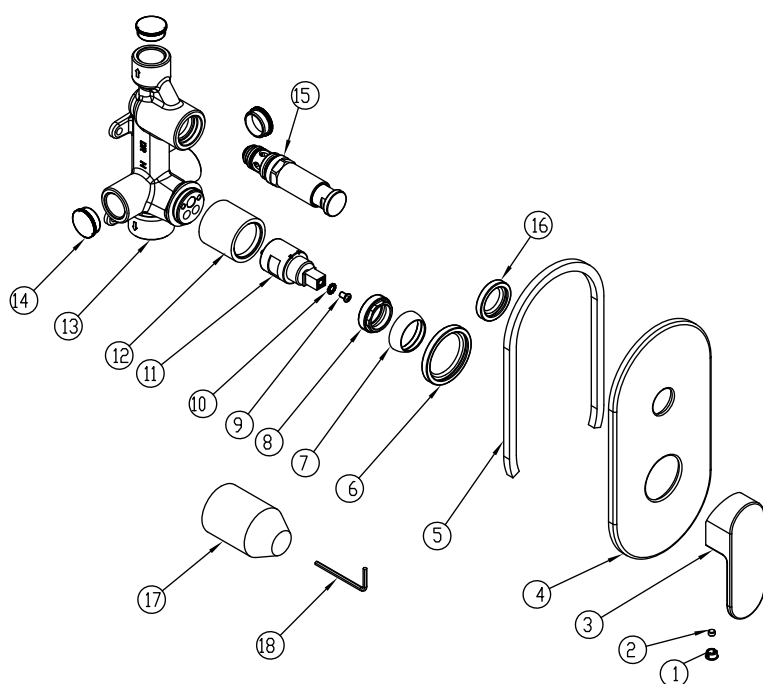
Mixers are recommended for use on mains pressure and instantaneous systems only. Equal pressure for hot and cold water supply is required for this single lever mixer.

1. Please flush out new pipe work prior to connecting the new mixer.
2. During installation protect the exposed surface finish by using the plastic cover provided.

3. In a typical installation, the mixer is mounted on a timber/ metal noggin and secured using suitable screws through the mounting lugs.

**NOTE: Arrow stamped on the outlet must face up towards shower (as shown in the exploded view below).**

4. Connect mixer to hot and cold water supply.
5. Connect to bath and shower outlet.
6. Pressure check all connections. Leaking joints are not covered by the warranty.
7. When the wall is finished (eg. tiling), remove the plastic cover and fit the cover plate and handle.



### EXPLODED VIEW

Item	Description
1	Chrome Cover
2	Grub Screw
3	Mixer Handle
4	Mixer Cover Plate
5	Rubber Seal
6	Rubber Seal
7	Cartridge Dome
8	Cartridge Lock Nut
9	Fixing Screw
10	Washer
11	Cartridge
12	Cartridge Sleeve
13	Mixer Body
14	Inlet Cap
15	Divertor Button Assembly
16	Rubber Seal
17	Protective Cover
18	Allen Key