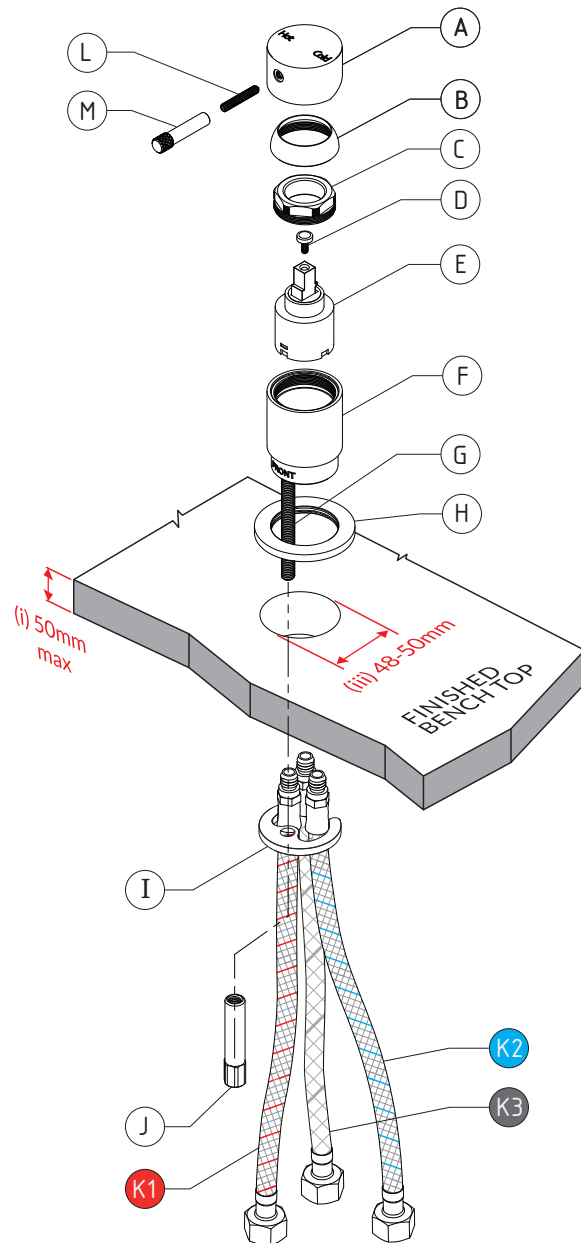


Scala Nova Top Mount Hob Mixer

SUSSEX



Product code

SNTMHM.01

Install Preparation:

- The Hob Mixer is supplied pre-assembled, the Clamp (I) and Fixing Nut (J) need to be temporarily removed prior to installation.
- Maximum bench thickness is 50mm (i).
- Hob Mixer Clearance Hole: 48 - 50mm (iii).
- Mounting Surface must be flat and level.

Product parts:

- (A) Handle Body
- (B) Dome
- (C) Cartridge Locknut
- (D) Cartridge Extension
- (E) Cartridge
- (F) Mixer Body
- (G) Threaded Bar
- (H) Hob Mixer Flange
- (I) Hob Mixer Clamp
- (J) Fixing Nut
- (K) Flexible hoses with 1/2" BSP Fittings with Conical Seals (K1= HOT, K2 = COLD and K3 = MIXED)
- (L) Set Screw
- (M) Handle Pin

Plumbers note:

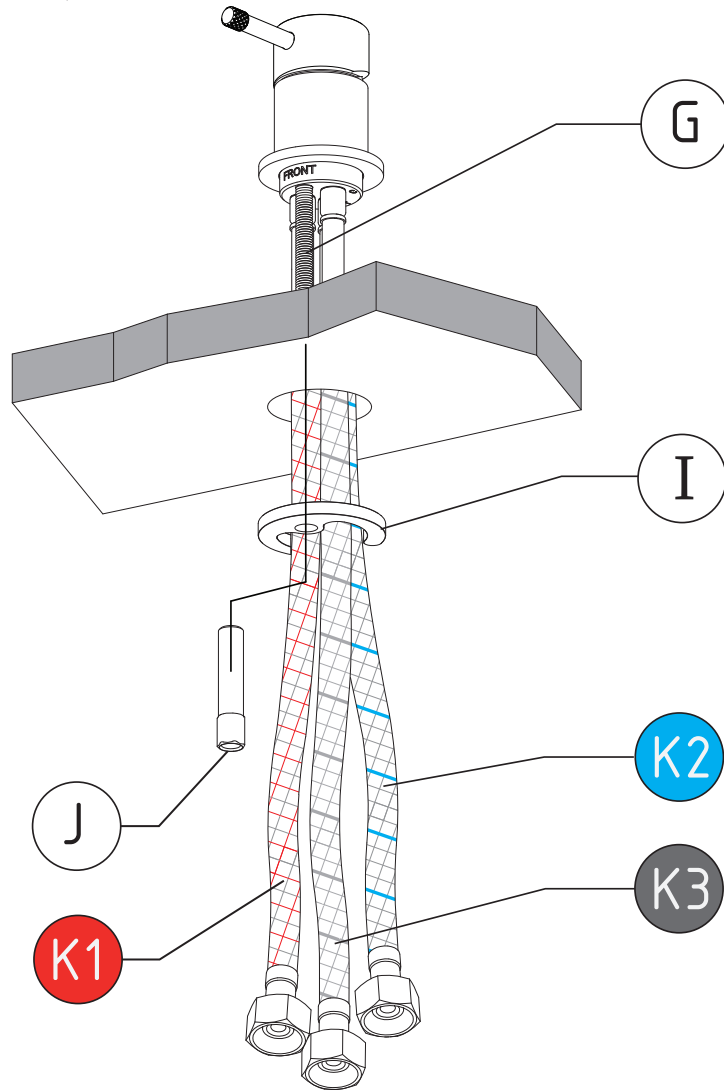
- Tapware is to be installed by a Licensed Plumber in accordance with AS/NZS 3500:2021
- Recommended working water pressure 300 - 500 Kpa. Maximum water temperature is 65°C
- After installation, ensure that tapware functions correctly without leaks.
- Please ensure a copy of the Installation Instructions are left with the end user for future reference.



Step 1

Remove Fixing Nut (J) and Clamp (I) then feed the preinstalled and labelled hoses (K1, K2 & K3) through the bench. Apply a small amount of Sealant to the under side of the Hob Mixer Flange (H) to seal the Mounting Surface. Note: The "FRONT" label must be positioned to face the user.

Working from underneath, fit the Clamp onto the Thread Bar (D) then tighten with Fixing Nut (J). (tighten well).



Step 2

Connect the Hot (E1) and Cold (E2) flexible hoses to 1/2" BSP pipework and tighten firmly with a spanner. Ensure hoses do not twist or kink during tightening. Sussex recommends using Stop Cocks/Mini Stops, however, these are not supplied.

