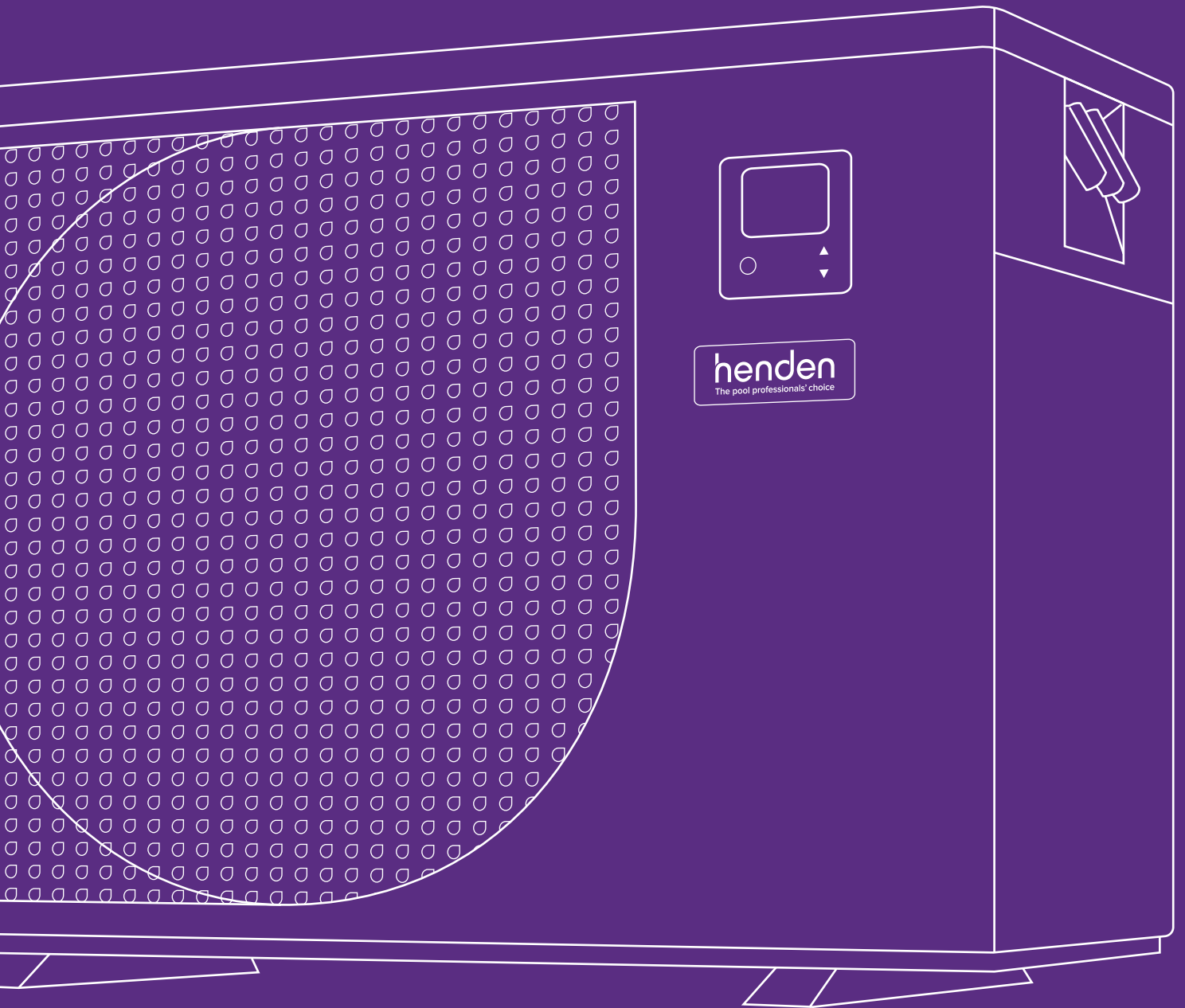


henden™

The pool professionals' choice



Product
Range

The pool professionals' choice

Whether you're building or maintaining a pool, Henden gives you the confidence to focus on getting the job done.



Available everywhere

Stocked in over 50 Reece Irrigation & Pool branches across Australia.



Fast delivery direct to site

One pump or a whole pool set up.



Support 24/7

From in-field technical support, to post installation support for you and your customers, we've got you covered.



Filters

Single Cartridge Filter	4
Multi Cartridge Filter	6
Media Filter	8

Pumps

Single Speed Pump	10
3 Speed Pump	12
VSD Pump	14

Chlorinators

Salt and Mineral Chlorinator	16
------------------------------	----

Acid Dosing Pumps

Acid Dosing Pump	18
------------------	----

Automation

Control	20
Balance	22

Inverter Heat Pumps

Elevate Inverter Heat Pump	24
Essential Inverter Heat Pump	26

Robotic Pool Cleaners

H2	28
H3	30

Pool Covers

Solar Pool Covers	32
Mobile Pool Roller	34
In-Ground Cover Box	36

Spa Equipment

Spa Blower	38
------------	----

Warranties

Warranties	40
------------	----



Single Element Cartridge Filter

Moulded to create a cyclone effect for ultimate filtration, with an easy grip handle and quick release locking ring for fuss free maintenance.

- > Easy to read pressure gauge to signal cleaning
- > Cyclone effect for ultimate filtration
- > Easy grip handles and quick release locking ring for easy maintenance
- > 30 micron filter element for high performance
- > Double O-ring seal for reliable sealing
- > UV resistant tank for long life
- > 40mm and 50mm inlet/outlet for flexible installation



Features

Cyclone Effect

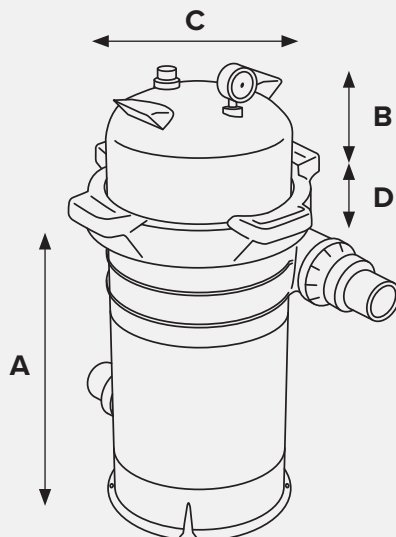
- > As water is pumped into the filter, the pressure creates a cyclone effect. This means more of the element is used, and filtration is efficient and effective.
- > Easy grip handles and quick release locking ring enables easy access for element cleaning.
- > Knee-height tank base height ensures the element is easy to lift out for cleaning.

Specifications			
Model	Henden Single Element Cartridge Filter 100	Henden Single Element Cartridge Filter 150	Henden Single Element Cartridge Filter 200
Effective Filtration Area m ² / ft ²	9.29m ² /100ft ²	13.94m ² /150ft ²	18.58m ² /200ft ²
Filtration Flow Rate m ³ /h / GPM	22.7m ³ /h 375lpm	27.3m ³ /h 455lpm	27.3m ³ /h 455lpm
Max Working Pressure Bar/PSI	3.5 Bar / 50 PSI	3.5 Bar / 50 PSI	3.5 Bar / 50 PSI
Horizontal Clearance cm	46.4cm	46.4cm	46.4cm
Vertical Clearance cm	45cm	45cm	45cm
Max Temperature °C	43°C	43°C	43°C
Replacement Element Reece Code	914100004	914100005	914100006

Suggested Pool Chemistry Levels	
pH level	7.2 to 7.8
Total alkalinity	80 to 120 ppm
Calcium hardness	200 to 400 ppm
Combined chlorine	0.2 ppm Maximum
Chlorine (stabilized)	1.0 to 3.0 ppm
Chlorine stabilizer (cyanuric acid)	60 to 80 ppm

Dimensions				
Model	A	B	C	D
Single Element Cartridge Filter 100	53.05cm	23cm	46.40cm	8.20cm
Single Element Cartridge Filter 150	53.05cm	31.50cm	46.40cm	8.20cm
Single Element Cartridge Filter 200	53.05cm	43.80cm	46.40cm	8.20cm

Clearance Dimensions			
Model	A	B Side	C Above
Single Element Cartridge Filter 100	82.7cm	46.4cm	45cm
Single Element Cartridge Filter 150	91.2cm	46.4cm	45cm
Single Element Cartridge Filter 200	103.4cm	46.4cm	45cm



Multi Element Cartridge Filter

Built with four filters for ultimate filtration, with easy grip handles and a clever pressure gauge this filter ensures easy, fuss free maintenance.

- > **Easy to read pressure gauge to signal cleaning**
- > **4 filter elements create large surface area for ultimate filtration and increased time between maintenance**
- > **Double O-ring seal for reliable sealing**
- > **UV resistant tank for long life**
- > **40mm and 50mm inlet/outlet for flexible installation**



Features

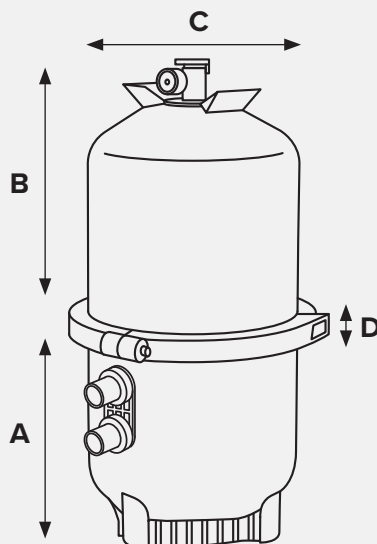
- > Easy grip handles enables easy access for element cleaning.
- > Knee-height tank base height ensures the element is easy to lift out for cleaning.

Specifications	
Model	Henden Multi Cartridge Filter 330
Effective Filtration Area m ² / ft ²	30.7m ² / 330ft ²
Filtration Flow Rate m ³ /h / GPM	28.1m ³ / 460lpm
Max Working Pressure Bar/PSI	3.5 Bar / 50 PSI
Horizontal Clearance cm	51cm
Vertical Clearance cm	45cm
Max Temperature °C	43°C
Replacement Element Reece Code	914100008

Suggested Pool Chemistry Levels	
pH level	7.2 to 7.8
Total alkalinity	80 to 120 ppm
Calcium hardness	200 to 400 ppm
Combined chlorine	0.2 ppm Maximum
Chlorine (stabilized)	1.0 to 3.0 ppm
Chlorine stabilizer (cyanuric acid)	60 to 80 ppm

Dimensions				
Model	A	B	C	D
Multi Element Cartridge Filter 330	53cm	23.7cm	60.2cm	4.5cm

Clearance Dimensions			
Model	A	B Side	C Above
Multi Element Cartridge Filter 330	88.6cm	51cm	45cm



Media Filter

Designed to deliver high quality and reliable filtration in residential pools. Featuring a wide grip handle and sight glass on the tank, backwashing is easier than ever.

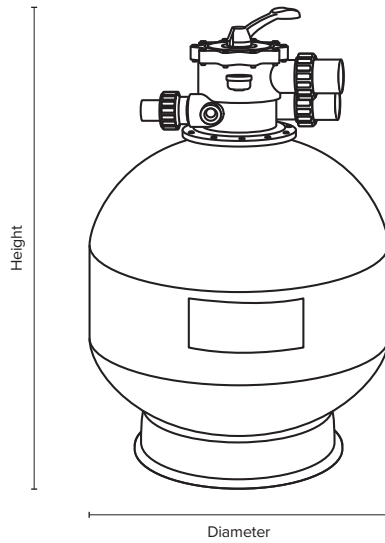
- > 6 way valve with large handle for easy operation
- > Upward facing oil filled pressure gauge for fuss free maintenance
- > Sight glass for easy backwashing
- > Twin layered tank for longevity
- > UV stabilised and corrosion proof external



- > Suitable for sand, glass and Zelbrite media.

Specifications						
Model	Henden Media Filter 2140	Henden Media Filter 2540	Henden Media Filter 2550	Henden Media Filter 2850 (tank only)	Henden Media Filter 3250 (tank only)	50MPV
Max Temperature	43°C	43°C	43°C	43°C	43°C	43°C
Max Pressure	250kPa (36PSI)	250kPa (36PSI)	250kPa (36PSI)	250kPa (36PSI)	250kPa (36PSI)	250kPa (36PSI)
Max Testing Pressure	400kPa (58PSI)	400kPa (58PSI)	400kPa (58PSI)	400kPa (58PSI)	400kPa (58PSI)	400kPa (58PSI)
Size of media	0.8mm	0.8mm	0.8mm	0.8mm	0.8mm	-
Filter Area m ²	0.22m ²	0.32m ²	0.32m ²	0.41m ²	0.50m ²	-
Design Flow m ³ /h	11.10 m ³ /h	15.6 m ³ /h	16.32 m ³ /h	20.16 m ³ /h	24.90 m ³ /h	-
Recommended Media (kg)	85kg	145kg	145kg	215kg	355kg	-
Valve connections (inch)	1.5inch	1.5inch	2inch	2inch	2inch	2inch

Dimensions					
Model	Henden Media Filter 2140	Henden Media Filter 2540	Henden Media Filter 2550	Henden Media Filter 2850	Henden Media Filter 3250
Height (mm)	845mm	950mm	980mm	1095mm	1200mm
Tank Diameter (mm)	535mm	635mm	635mm	723mm	800mm



Single Speed Pump 200, 300 & 420

A reliable, universal pool pump that's perfect for all residential pool types up to 90,000 litres: in-ground, above ground, large swim spas, plunge pools and solar heated pools.

- > **See through lid for visibility and easy maintenance**
- > **Self resetting thermal overload protection in the event of the pump overheating**
- > **Corrosion resistant Noryl impeller for longer lasting trouble-free performance**
- > **316 stainless steel motor shaft**
- > **High performance silicon carbide Viton mechanical seal for long life in pool water'**
- > **40/50mm ABS quick coupling barrel unions for easy connection and installation**

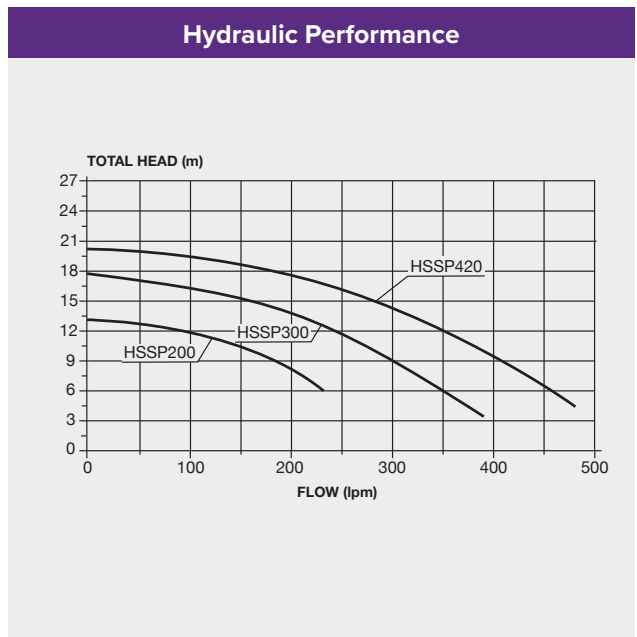


Features

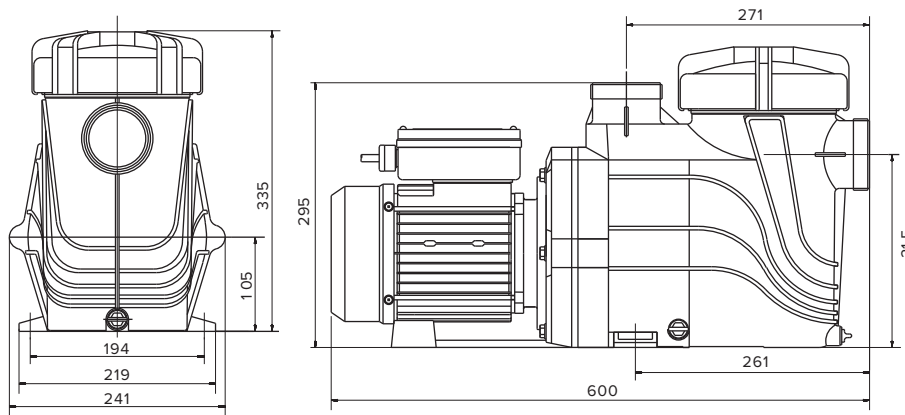
- > **Durable Exterior**
Constructed of strong corrosion and UV resistant materials for long and reliable working life.
- > **High Performance Motor**
Totally enclosed to protect against the elements, with power reserves for extended operating life.
- > **Double Insulated to Water Circuit**
Provided with an Equipotential Bonding Point for AS/NZ 3000 wiring standards.
- > Fully serviceable, allowing for easy maintenance and repair.
- > Drain plugs enable simple water drainage for easy maintenance.
- > 3m power lead with 10 amp three pin plug fitted to all models.

Electrical Data			
Model	HSSP200B	HSSP300B	HSSP420B
Voltage (V)	220-240		
Phase	Single		
Supply frequency (Hz)	50		
Run current (A)	3.8	5.8	8.3
Motor input power (W)	750W	1100W	1650W
Motor output power (W / hp)	550W / 0.8 hp	750W / 1 hp	1300W / 1.7 hp
RPM	2900		
Enclosure class (IP)	55		
Insulation class	F		
Approval No.	TUV02147EA		

Operating Limits	
Maximum water temperature	40°C
Maximum ambient temperature	50°C
dBa @ 1 metre	61 - (HSSP200) 62 - (HSSP300) 65 - (HSSP420)



Dimensions (mm)				
Model	Mounting Holes Diameter	Inlet PVC	Outlet PVC	Net Weight (kg)
HSSP200B	11	40 & 50	40 & 50	13.6
HSSP300B	11	40 & 50	40 & 50	15.5
HSSP420B	11	40 & 50	40 & 50	17.6



3 Speed Pump

Saves up to 70% of running costs compared to a single speed pump. Specifically designed to circulate swimming pool water for filtration, heating and sanitising applications. Suitable for pools up to 90,000 litres.

- > **3 speed variable control with fully programmable speed options for maximum performance and efficiency**
- > **See through lid for visibility and easy maintenance**
- > **Extra large leaf basket for longer intervals between cleaning**
- > **Advanced technology brushless DC motor for longer pump life**
- > **Auto reset thermal protection to prevent over heating of the motor**
- > **Strong corrosion resistant, UV stabilised materials**
- > **40/50mm ABS quick coupling barrel unions for easy connection and installation**

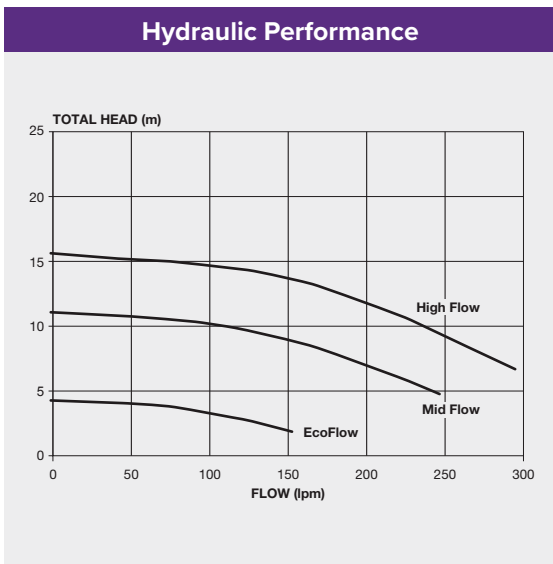


Features

- > **3 Speed Control**
Switch between Eco Flow (lowest speed) for pool filtration, Mid Flow for pool cleaning and High Flow for all other pool sanitisation and heating applications.
- > **Programmable Intelligence**
Fully programmable speed options by adjusting the RPM of the motor from the factory pre-sets for Eco, Mid and High Flow speeds. This maximises your pool efficiency, use and performance.
- > **Energy Efficient**
Lower emissions, power usage and energy costs compared to single speed pumps.
- > **Lower Noise Levels**
Quiet at only 60.5dB, allowing you to run your pump at any time of day or night.

Electrical Data	
Model	H3SP1HP
RPM	Eco Flow – 1500rpm
	Mid Flow – 2400rpm
	High Flow – 2850rpm
Enclosure Class (IP)	24
Insulation Class	Class F
Voltage (VAC)	220-240
Supply Frequency (Hz)	50
Run Current (A)	6.5amps @ High Flow
Motor Input Power (W / hp)	Eco Flow – 181W / 0.24 hp
	Mid Flow – 600W / 0.80 hp
	High Flow – 970W / 1.30 hp
Pump Output Power (W / hp)	Eco Flow – 145W / 0.19 hp
	Mid Flow – 480W / 0.64 hp
	High Flow – 776W / 1.04 hp

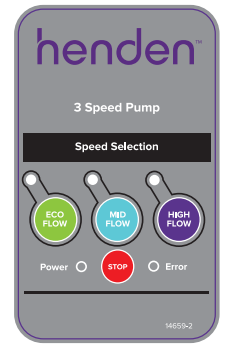
Operating Limits	
Maximum water temperature	50°C
Maximum ambient temperature	55°C



Low Energy Operation:
3 speed settings which are also fully programmable:

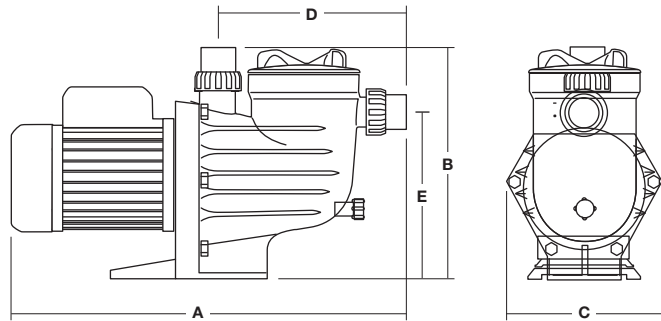
1. Eco Flow – Lowest Speed
2. Mid Flow – Medium Speed
3. High Flow – Highest Speed

Eco Flow mode provides the lowest speed and the greatest energy savings.



Operation	Recommended Speed Setting
Pool filtration	Eco Flow
Automatic pool cleaner operation	Mid Flow
Backwashing your media filter	Mid Flow
Manually cleaning your pool	Mid Flow
Water feature operation	High Flow
Spa jet operation	High Flow
Solar pool heating	High Flow

Dimensions (mm)									
A	B	C	D	E	Mounting Holes Dia.	Inlet PVC	Outlet PVC	Net Weight (Kg)	
705	330	250	305	246	10	40/50	40/50	16.75	



280 and 400 Variable Speed Pump



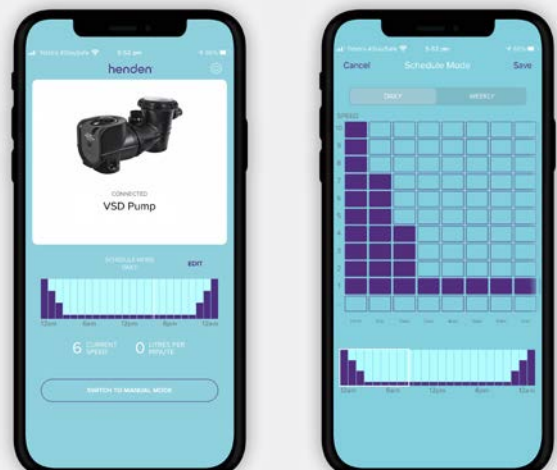
The premium high efficiency pool pump that operates super quietly. Designed to save money on running costs and ideal for pool filtration, in-floor pool cleaning systems, connection to external pool controllers, heat pumps and gas heaters. Suitable for pools up to 140,000 litres.

- > Large 4.5 litre lint pot allows for longer intervals between cleaning
- > Fully variable frequency drive with user friendly selectable speed dial
- > Multi-coloured LED indicator light for operating conditions and warnings
- > Loss of prime protection to protect the pump in the event no water is detected
- > Drain plug to enable quick draining of the casing for easy removal and maintenance
- > High performance water cooled motor for super quiet, efficient use all year round
- > Double insulated to water circuit with Equipotential Bonding Point for AS/NZ 3000 wiring standards
- > 40/50mm ABS quick coupling barrel unions for easy connection and installation

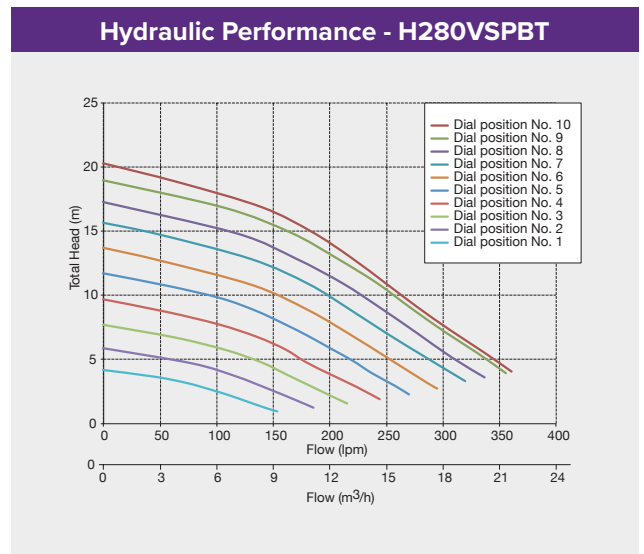


Features

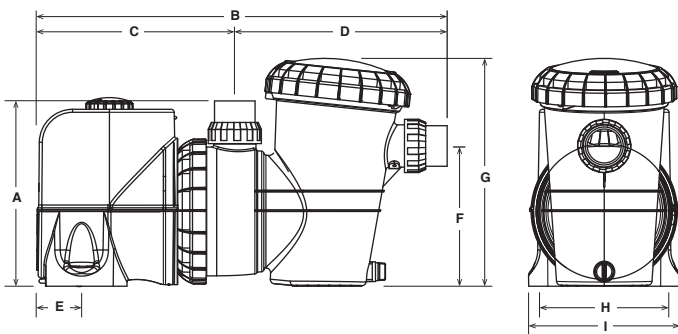
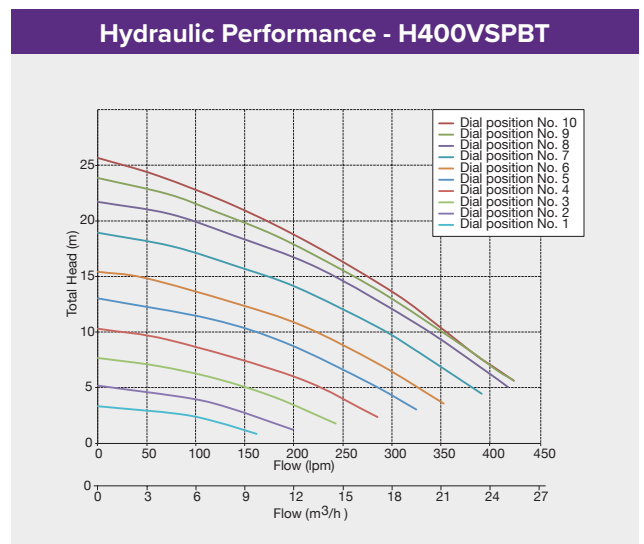
- > **Bluetooth enabled**
To allow setup and control functionality from your iOS or Android smartphone.
- > **Programmable schedules**
Schedule hourly run times at desired speed for every day or every week via Bluetooth app.
Fully flexible to suit most applications.
Improves surface skimming capabilities.



Electrical Data		
Model	H280VSPBT	H400VSPBT
Voltage (V)	220-240	
Supply frequency (Hz)	50/60	50
Motor input power (W)	128W @ Dial 1 524W @ Dial 5 1,111W @ Dial 10	126W @ Dial 1 728W @ Dial 5 1,639W @ Dial 10
Motor output power (W / hp)	90W / 0.1 hp @ Dial 1 367W / 0.5 hp @ Dial 5 778W / 1 hp @ Dial 10	87.5W / 0.1 hp @ Dial 1 506.8W / 0.7 hp @ Dial 5 1220W / 1.6 hp @ Dial 10
Motor speed (rpm)	1,500 to 3,600	1,050 to 3,100
Backwash (rpm)	Variable speed	
Enclosure class (IP)	45	
Insulation class	F	
Power lead length	3m	
Approval No.	SGS-150025-EA	



Operating Limits	
Maximum water temperature	40°C
Maximum ambient temperature	50°C



Dimensions (mm)										Mounting Holes Diameter	Inlet/Outlet PVC	Net Weight (kg)
A	B	C	D	E	F	G	H	I				
305	670	320	350	65	230	380	200	250	10	40/50	14	

400 Model Only

- > **High performance water cooled motor**
Captures noise and vibrations, allowing you to run your pump at any time of day or night.
Does not require air ventilation, giving more flexibility with positioning.
Any waste heat generated is transferred into the pool water, helping reduce pool heating costs.
- > **Backwash speed cycling technology**
For effective media cleaning and reducing waste water when backwashing.
- > **Constant flow/speed compensation**
As debris starts to build up in the filter, pressure in the system builds up, and this reduces the flow the pump produces. Uses intelligent technology to overcome this and automatically ramps up the speed of the motor to maintain the same flow.
- > **Weatherproof RJ45 communication port**
For speed adjustment via connection to a Henden Water Quality Hub, gas heater or heat pump.

Compact Salt + Mineral Chlorinator

Meet our reliable chlorinator, built for efficient chlorine production. The Compact Salt + Mineral Chlorinator features a quick connect and self cleaning cell for easy installation and hassle free maintenance. Suitable for Salt and Mineral pools.

- > Digital display screen for easy operation
- > Unique service menu for easy operation
- > Quick connect cell for quick installation
- > Long life self-cleaning cell for reduced maintenance



Features

- > Designed with a smart self-cleaning cell electrode with adjustable cleaning cycles for easy maintenance.
- > The cell can be either horizontally or vertically installed for simple installation to new or existing pools.

Salt Levels

- > 3500-4000PPM (0.35%-0.4%) in regular models or 1500PPM (0.15%) in low salt models.

Technical Specifications						
Model	Input Volts (Vac)	Input Amps* (Aac)	Input Power (Watts)	Output Volts (Vdc)	Output Amps* (Adc)	Frequency (Hz)
15gm	220-240	0.53	120	25	2.8-3.2	50/60
25gm	220-240	0.70	157	25	3.8-4.2	50/60
35gm	220-240	0.86	192	25	4.8-5.2	50/60
25gm low salt	220-240	0.70	157	25	3.8-4.2	50/60
35gm low salt	220-240	0.86	192	25	4.8-5.2	50/60

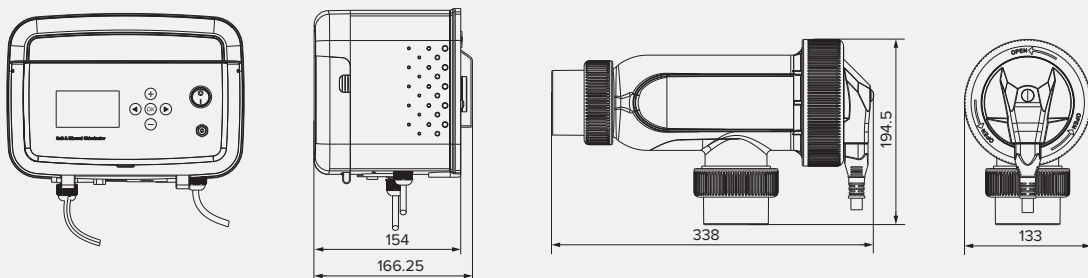
*All readings taken at 230Vac and in optimum salt water ppm, with a water temperature of 26°C.

Sanitiser Output						
Model	Per Hour			Per 8 Hours		
	Chlorine Output	Cal.Hypo. Equivalent (65%)	Sod.Hypo. Equivalent (12.5%)	Chlorine Output	Cal.Hypo. Equivalent (65%)	Sod.Hypo. Equivalent (12.5%)
15gm	15g	23g	120ml	120g	184g	960ml
25gm	25g	38g	200ml	200g	304g	1600ml
35gm	35g	54g	280ml	280g	432g	2240ml
25gm low salt	25g	38g	200ml	200g	304g	1600ml
35gm low salt	35g	54g	280ml	280g	432g	2240ml

Chlorinator Dimensions					
Model	Length (mm)	Width (mm)	Height (mm)	Weight (kg)	
15gm	250mm	154mm	185mm	6.30kg	
25gm	250mm	154mm	185mm	6.35kg	
35gm	250mm	154mm	185mm	7.40kg	
25gm low salt	250mm	154mm	185mm	6.60kg	
35gm low salt	250mm	154mm	185mm	7.65kg	

Cell Housing Dimensions			
Model	Length (mm)	Width (mm)	Height (mm)
Cell Housing	338mm	195mm	133mm

Dimensions



Acid Dosing Pump

Designed to dose the pool and maintain a balanced pH, the Acid Dosing pump is suitable for all pool surfaces and is the perfect companion for the Henden Compact Salt + Mineral Chlorinator.

- > Algorithmic function for simple operation
- > Commercial grade peristaltic tube and roller
- > Plug and play for easy installation



Features

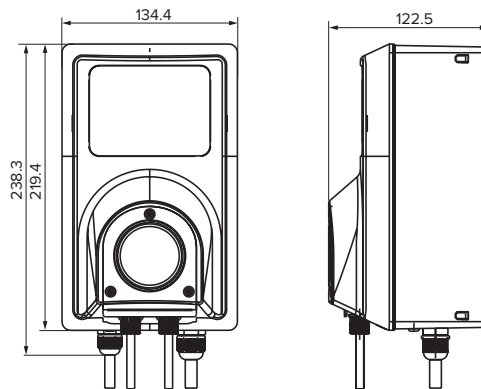
- > Optimises the effectiveness of the chlorinator by automatically maintaining pH balance in the pool.
- > Works with high and low flow filtration systems.
- > The Henden Acid Dosing Pump is the perfect companion for the Henden Compact Salt + Mineral Chlorinator.

Technical Specifications

Volts & Amps Input (AC)	220-245 V, 0,1 A
Total Power Consumption	13 W Motor, 20 W Max.
Frequency	50 Hz
Output as Controlled by Sanitiser	0-1000 ml per hour
Rated Pressure	350kPa (optimum for injector is 150kPa)
Squeeze Tube	Tygon® Norprene® (Commercial spec)
Case Pump Inspection Window	Cleat Acrylic Viewing Window
Motor Speed	10 RPM
Non-Return Injector Valve	Polypropylene Injector with Norprene Sleeve
Tubing Size	4m long x 6mm diameter Clear Flexible PVC
Power Cord	Approved piggy-back type
Roller Block	Heavy-duty Glass filled Nylon
Casing Material	Glass Filled Polypropylene
Wall Mounting	Simple Click ON - Clip OFF
Water Connection	CLEAR Acrylic Faucet Tee 50mm pipe
Water Flow Rate (L/min)	80-650 L/min
Ingress Protection Rating	IP 35

Dimensions

Model	Length (mm)	Width (mm)	Height (mm)	Weight (kg)
Henden Acid Dosing Pump	135mm	123mm	220mm	2.5mm



Control

Effortlessly control pumps, heaters, sanitisers, lights, valves, water features, spa equipment and much more! Simply download the Henden Control app to program, monitor and control the pool from your smart device. It's pool automation, made simple.

- > In-built Wi-Fi control for ease of use
- > Simple and intuitive menu design
- > Customisable appliance and valve selection for user flexibility
- > Plug and play system for simple installation
- > Henden Control app for easy management



Features

- > **Wi-Fi Enabled**
Built-in 2.4GHz Wi-Fi compatibility and an integrated Henden Control app for remote monitoring and control from your smart device.
- > **App Functionality**
Effortlessly manage temperature, chemical balance, timers, modes and other pool and spa requirements from the palm of your hand.
- > **Modular System**
Expansion units available in 10amp or 15amp plug options, allowing for up to an additional 6 power sockets to be utilised and controlled by the Henden Control.

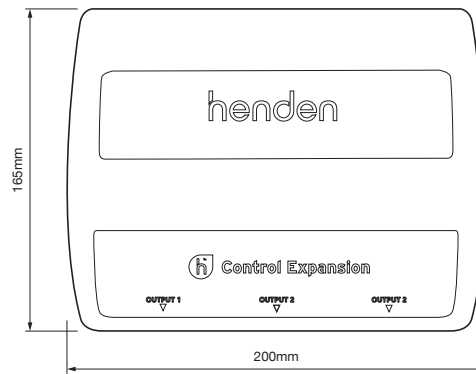
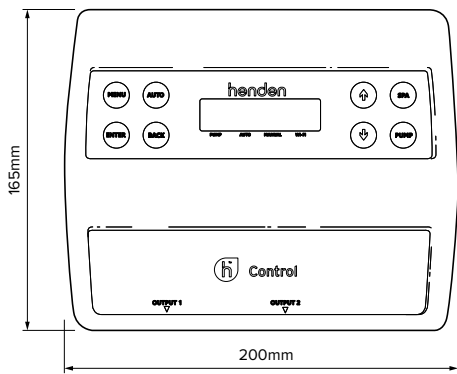


Henden Control	
Electrical Connection	10a Plug
Number of 240v Power Outlets	2x 10amp
Maximum Combined Load	9.9amp (2370w)
Input Connections	Pump call 2x temperature sensor
Output Connections	Pump control Heater interlock 4x valve actuator Communication output

Henden Control 10amp Expansion Module	
Electrical Connection	10a Plug
Maximum Combined Load	9.9amp (2370w)
Connections	3x 10amp

Henden Control 15amp Expansion Module	
Electrical Connection	15a Plug
Maximum Combined Load	14.9amp (3570w)
Connections	3x 10amp

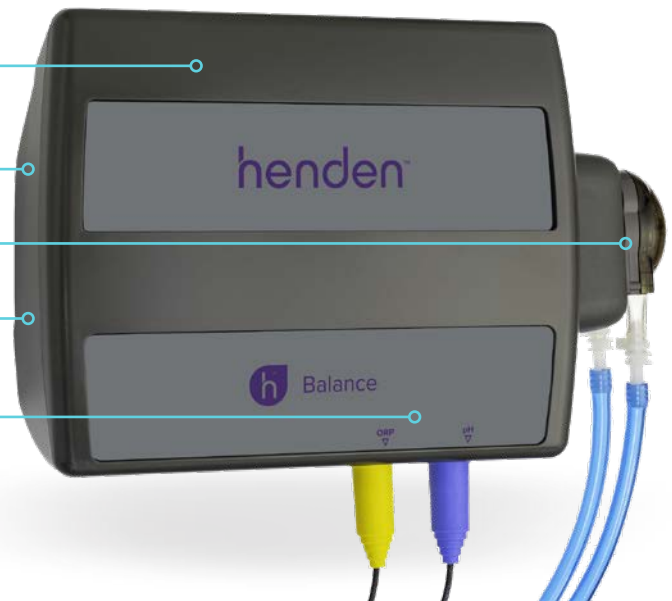
Dimensions			
	Henden Control	Henden Control 10amp Expansion Module	Henden Control 15amp Expansion Module
Length	90mm	90mm	90mm
Width	200mm	200mm	200mm
Height	165mm	165mm	165mm



Balance

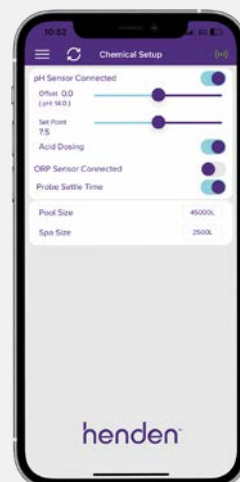
Monitors and automatically adjusts the pH and ORP levels to help deliver a balanced pool. With the Henden Balance, maintaining a healthy pool has never been easier.

- > Automatically measures and controls pH and ORP levels, helping you maintain a perfectly balanced pool
- > Henden Control app for easy water chemistry management
- > Automatic dosing pump to maintain the desired pH level
- > Low-voltage power connection for ease of installation
- > Simple probe connections for automatic monitoring of pH and ORP



Features

- > **Automatic chemical and dosing system**
Continually measure and control the set pH and ORP levels of the pool.
- > **ORP and pH Probes**
Accurately monitor and maintain ORP and pH chosen set points, enhancing the pool water treatment process.
- > **App Functionality**
Check and set chemical levels anywhere using the Henden Control app when connected to Wi-Fi.

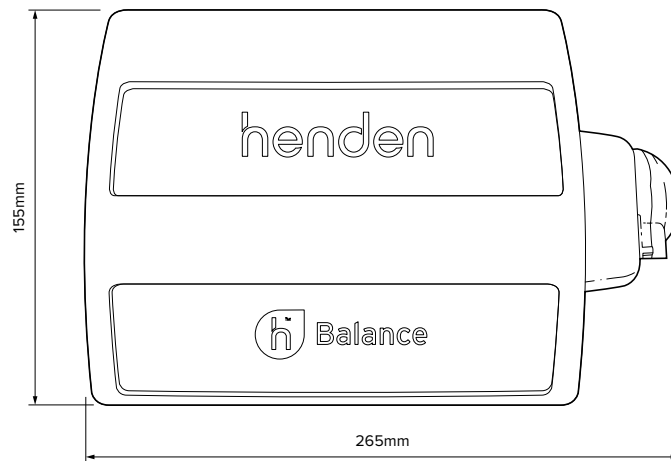


Henden Balance Tech Table

Input Connections	Low voltage power input 24Vac 1.2a
	pH probe input
	ORP probe input
	Communication input

Dimensions

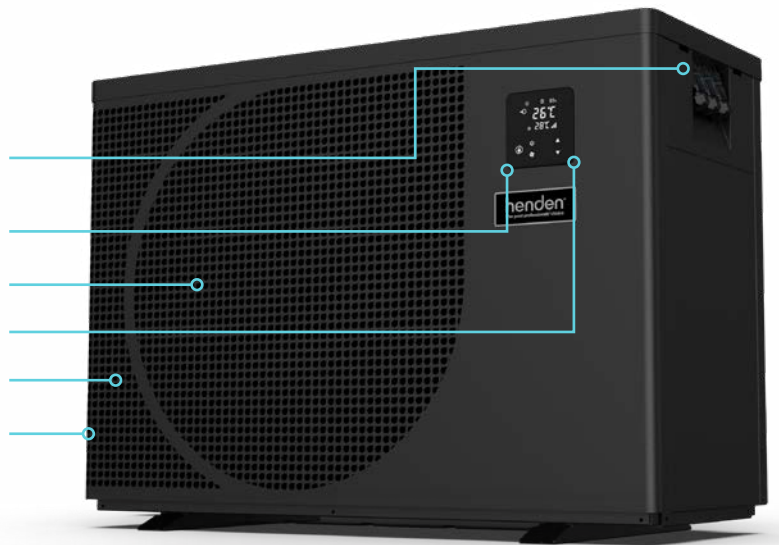
Length	90mm
Width	265mm
Height	155mm



Elevate Inverter Heat Pump

Harness the power of this high performing heat pump. Built with Full Inverter technology for energy efficiency and designed for super quiet, elite operation.

- > External 3 point quick connection for simplified installation
- > Intuitive touch screen controller for easy operation
- > Unique perforated design
- > 3 modes: Turbo/Smart/Silent
- > Uses R32 Refrigerant gas
- > Full Inverter Technology for energy efficiency



Features

- > **Designed with an external 3 point connection**
External connection points for Pump Control, Automation and RS485 make installation easier than ever.
- > **Built with Full Inverter Technology**
For quick heating and optimal performance when you need it.
- > **Quiet Operation**
With a sound pressure equivalent to a library, the Elevate Inverter Heat Pump is perfect for residential spaces.
- > **Sleek and Compact Design**
Modern design façade and compact casing means the Elevate Inverter Heat Pump fits easily in any backyard space - whether it's next to the pool or down the side of the house.
- > **Wi-Fi Enabled**
Built-in Wi-Fi and app compatibility makes setting temperature and timers a breeze.

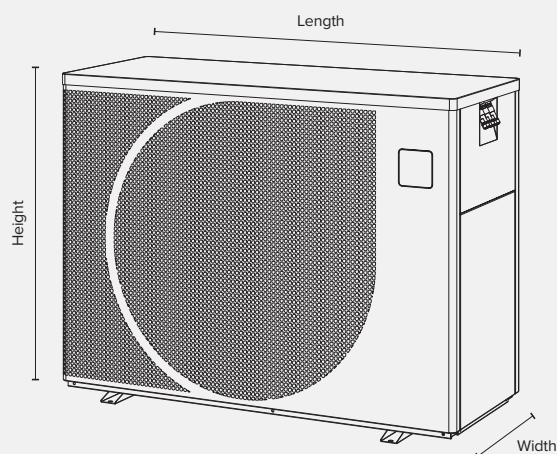
Performance							
Heater Model	11kW	14kW	18kW	21kW	26kW	32kW	40kW
Performance Condition: Air 26°C, Water 26°C, Humidity 80%							
Heating capacity (kW) in Turbo mode	11	13.5	17.5	21.5	25.5	31.5	40
Heating capacity (kW) in Smart mode	9.2	11.5	14.5	17.8	21.5	27	35
COP range	15.1-7.1	15.0-7.3	15.5-6.4	15.0-6.3	16.0-6.8	15.8-6.3	15.8-6.4
Performance Condition: Air 15°C, Water 26°C, Humidity 70%							
Heating capacity (kW) in Turbo mode	7.5	9	11.3	14.3	17.5	21.5	28
Heating capacity (kW) in Smart mode	6.3	7.5	9.4	11.8	14.8	18	24
COP range	6.9-4.8	6.8-4.9	7.3-4.4	7.8-4.6	7.8-4.9	7.8-4.9	7.9-4.7
Performance Condition: Air 35°C, Water 28°C, Humidity 80%							
Cooling capacity (kW)	4.4	5.6	6.5	8	11.6	13.6	16

Technical Specifications							
Heater Model	11kW	14kW	18kW	21kW	26kW	32kW	40kW
Advised Pool Volume (m3)	25-40	31-50	41-60	51-75	61-85	76-110	86-140
Working air temp (°C)	-15°C - 43°C						
Power Supply	230V / 1 Ph / 50Hz						400V / 3PH
Rated input power (kW) at air 15°C	0.18-1.53	0.22-1.8	0.26-2.56	0.31-3.08	0.38-3.53	0.46-4.4	0.60-5.94
Rated input current (A) at air 15°C	0.78-6.65	0.96-7.82	1.14-11.3	1.35-13.4	1.65-15.3	2.01-19.1	0.87-8.57
Water Connection (mm)	48.3						
Sound pressure 1m dB(A)	38.5-45.5	38.6-46.9	42.0-47.7	42.9-50.8	40.8-51.2	43.3-51.9	42.5-51.7
Sound pressure 50% capacity at 1m dB(A)	39.5	41.3	43.7	44.5	44.4	46.4	43.8
Sound pressure 10m dB(A)	18.5-25.5	18.6-26.9	22.0-27.7	22.9-30.8	20.8-31.2	23.3-31.9	22.5-31.7

Dimensions							
Heater Model	11kW	14kW	18kW	21kW	26kW	32kW	40kW
Net Dimension L x W x H (mm)	799 x 432 x 650mm	893 x 432 x 650mm	939 x 432 x 650mm	995 x 432 x 750mm	1125 x 429 x 952mm	1074 x 539 x 947mm	1260 x 539 x 947mm
Net Weight (kg)	51kg	61kg	65kg	70kg	98kg	102kg	126kg

Minimum Ventilation Requirements		
Front	Sides	Back
500mm	300mm	300mm

Dimensions



Essential Inverter Heat Pump

Harness the power of this high performing heat pump. Built with DC inverter technology for energy efficiency and quiet operation, this heat pump is essential for any residential pool.

- > **External 3 point quick connection for simplified installation**
- > **Intuitive touch screen controller for easy operation**
- > **Unique perforated design**
- > **Dual mode: Smart/Silence**
- > **Uses R32 Refrigerant gas**
- > **DC Inverter Technology for energy efficiency**



Features

- > **Designed with an external 3 point connection**
External connection points for Pump Control, Automation and RS485 make installation easier than ever.
- > **Built with DC Inverter Technology**
For quick heating and optimal performance when you need it.
- > **Quiet Operation**
Built for quiet operation, the Elevate Inverter Heat Pump is perfect for residential spaces.
- > **Compact Design**
Compact casing means the Essential Inverter Heat Pump fits easily in any backyard space - whether it's next to the pool or down the side of the house.
- > **Wi-Fi Enabled**
Built-in Wi-Fi and app compatibility makes setting temperature and timers a breeze.

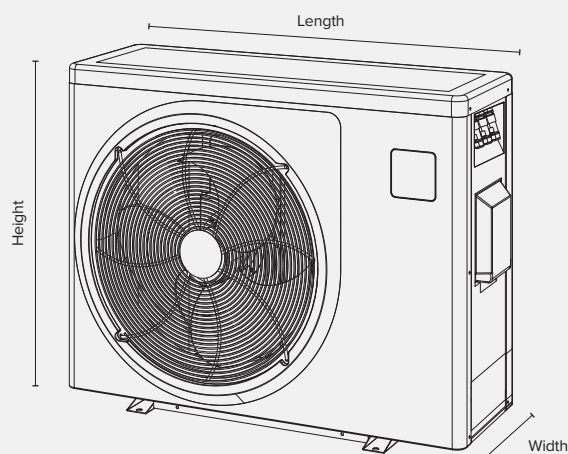
Performance					
Heater Model	9kW	13kW	17kW	21kW	24kW
Performance Condition: Air 26°C, Water 26°C , Humidity 80%					
Heating capacity (kW)	9	12.5	16	20	24
COP range	10.6-6.8	11.6-7.0	11.2-7.1	11.8-6.5	11.8-6.5
Performance Condition: Air 15°C, Water 26°C, Humidity 70%					
Heating capacity (kW) in Smart mode	6.3	8.5	11	14	16
COP range	6.14.5	6.3-4.8	6.4-4.7	6.5-4.6	6.5-4.6
Performance Condition: Air 35°C, Water 28°C, Humidity 80%					
Cooling capacity (kW)	3.1	4.6	5.6	7.8	9.5

Technical Specifications					
Heater Model	9kW	13kW	17kW	21kW	24kW
Advised Pool Volume (m3)	20-35	30-50	35-65	45-80	55-90
Working air temp (°C)	0°C-43°C				
Power Supply	230V/1 Ph/50Hz				
Rated input power (kW) at air 15°C	0.36-1.40	0.47-1.78	0.59-2.34	0.75-3.04	0.86-3.48
Rated input current (A) at air 15°C	1.57-6.09	2.02-7.74	2.52-10.17	3.26-13.21	3.74-15.13
Water Connection (mm)	48.3				
Sound pressure 1m dB(A)	40.6-52.5	42.9-53.0	45.2-56.3	45.3-57.1	45.8-57.8
Sound pressure 50% capacity at 1m dB(A)	45.8	48.5	48.7	49.6	50.1
Sound pressure 10m dB(A)	20.6-32.5	22.9-33.0	25.2-36.3	25.3-37.1	25.8-37.8

Dimensions					
Heater Model	9kW	13kW	17kW	21kW	24kW
Net Dimension L × W × H (mm)	872×349×654mm	872×349×654mm	962×349×654mm	962×349×754mm	961×420×758mm
Net Weight (kg)	46kg	49kg	60kg	68kg	68kg

Minimum Ventilation Requirements		
Front	Sides	Back
500mm	300mm	300mm

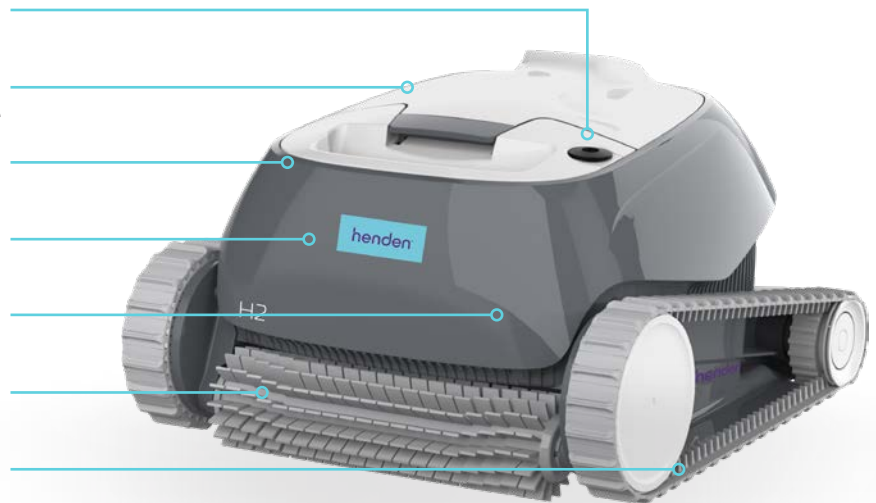
Dimensions



H2 Robotic Pool Cleaner

The Henden H2 is our most affordable Robotic Pool Cleaner. Easy to use, it takes all the effort out of maintaining a perfect pool. The clever navigation technology ensures floors and walls are cleaned effectively, every time. Designed for easy use and maintenance, the H2 is a quality piece of pool equipment, guaranteed to last.

- > **On/Off power supply** for simple operation
- > **Clever scanning and navigation technology** for an effective cleaning route
- > **Additional ultra-fine filters** for a deeper clean
- > **Easy to clean filter basket** for simple maintenance
- > **15m cable length** for pools up to 10m long
- > **All terrain brush with active scrubbing technology**
- > **Dual tracks** for continuous traction



Features

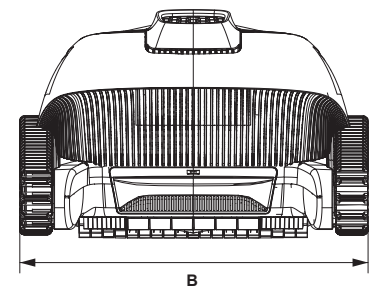
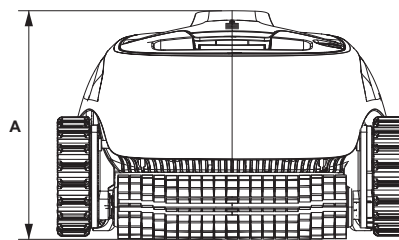
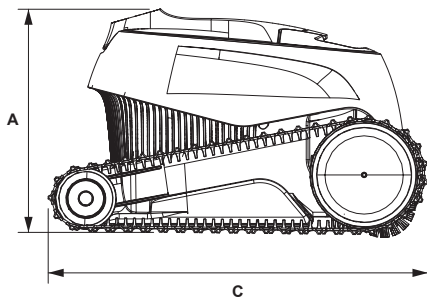
- > **2 Hour Cleaning Cycle**
The quick cleaning cycle makes maintaining a pool easier than ever.
- > **Clever Scanning and Navigation Technology**
The combination of clever scanning software and a built-in navigation system, ensures pools are cleaned in using the most effective route, every time.
- > **Ultra-Fine Filtration**
The additional ultra-fine filters provided ensure a deep clean, every time.

Water Conditions	
Chlorine Maximum	4 ppm
pH Range	7.0–7.8
Temperature Range	6–34°C
Salinity Maximum	5000 ppm
Minimum Depth	0.80m/2.6ft
Maximum Depth	5m/16.4ft

Electrical Data	
Digital Power Supply Input:	200-230 AC Volts, 50-60 Hertz
Digital Power Supply Output	<30 VDC
Motor Protection	IP54

Pool Suitability	
Ideal Pool Length	Up to 10 metres
Cable Length	15 metres
Cycle Time	2 hours
Cleaning Coverage	Floor and walls

Dimensions	
A (Height)	250mm
B (Width)	400mm
C (Length)	425mm
Weight	6.5kg



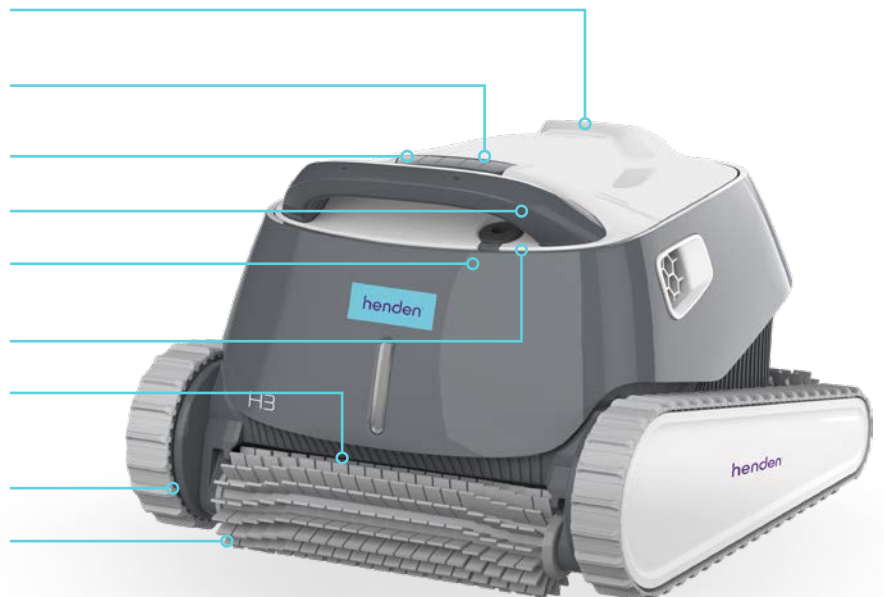
Kit Components

- > H2 Robotic Pool Cleaner
- > Ultra-Fine Filters
- > H2 Power Supply
- > Filter Basket
- > 15m cable

H3 Robotic Pool Cleaner

The Henden H3 is our most advanced Robotic Pool Cleaner. Packed with intelligent features to keep your pool sparkling all year around. Active scrubbing and clever navigation technology deliver the best cleaning result across floor, walls and waterline.

- > **Clever scanning and navigation technology for an effective cleaning route**
- > **Pop up filter basket for simple maintenance**
- > **Ultra-fine filters for a deeper clean**
- > **Grab handle for easy use**
- > **On/Off power supply with weekly timer for convenient operation**
- > **18m cable length for pools up to 12m long**
- > **All terrain front and rear brush system with active scrubbing technology for an enhanced clean**
- > **Dual tracks for continuous traction**
- > **Fast, clean water release for ease of use**



Features

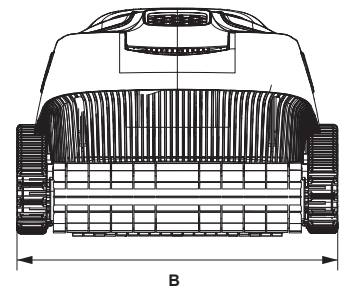
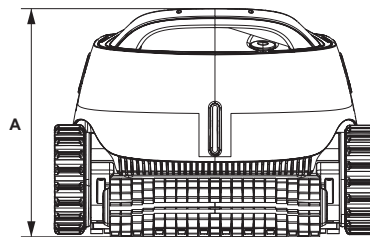
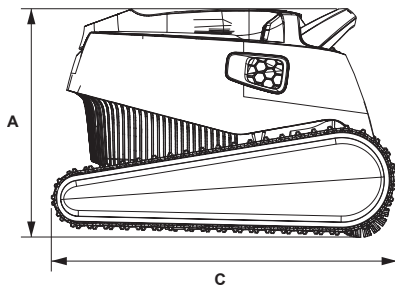
- > **2 Hour Cleaning Cycle**
The quick cleaning cycle makes maintaining a pool easier than ever.
- > **Clever Scanning and Navigation Technology**
The combination of clever scanning software and a built-in navigation system, ensures pools are cleaned using the most effective route.
- > **Ultra-Fine Filtration**
The ultra-fine filter basket ensures a deep clean, every time.
- > **Weekly Timer**
Schedule the H3 Robotic Pool Cleaner to work on preferred days, for enhanced convenience.
- > **Super strong grip**
The multi-directional water jets provide allow the H3 to grip all vertical and horizontal surfaces. Improving waterline scrubbing and ensuring no part of the pool gets left behind.

Water Conditions	
Chlorine Maximum	4 ppm
pH Range	7.0–7.8
Temperature Range	6–34°C
Salinity Max	5000 ppm
Minimum Depth	0.80m/2.6ft
Maximum Depth	5m/16.4ft

Electrical Data	
Digital Power Supply Input:	200-230 AC Volts 50-60 Hertz
Digital Power Supply Output	<30 VDC
Motor Protection	IP54

Pool Suitability	
Ideal Pool Length	Up to 12 metres
Cable Length	18 metres
Cycle Time	2 hours
Cleaning Coverage	Floor, walls and waterline

Dimensions	
A (Height)	300mm
B (Width)	400mm
C (Length)	430mm
Weight	7.5kg



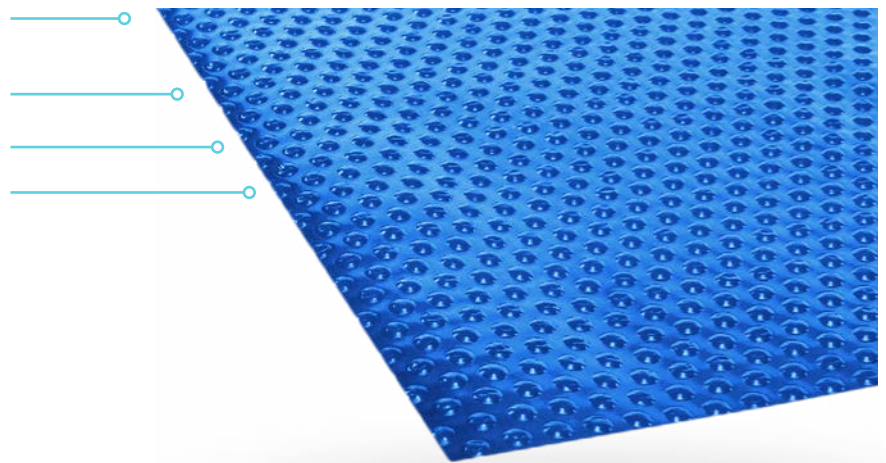
Kit Components

- > H3 Robotic Pool Cleaner
- > Ultra-Fine Filters
- > Filter Basket
- > H3 Power Supply
- > 18m cable

Solar Pool Covers

Help your customers get the most out of their pool with Henden Solar Pool Covers. Protect the pool from debris, trap heat and reduce heat loss and water evaporation. Made sustainably in Australia, they're designed for premium performance. Available in standard or custom sizes & delivered pre-cut straight to site ready to install.

- > **550 micron pool cover for long lasting performance**
- > **Air pockets to insulate air and trap heat**
- > **Available in our signature Henden Blue**
- > **Suitable for all pools**



Benefits

- > **Long lasting high performance**
At 0.55mm thick, the 550 micron pool cover lasts much longer than thinner pool covers.
- > **Heat retention**
Trap and retain the sun's heat to increase the temperature of the pool by 6-8°C while reducing heat loss by up to 75%. This allows you to extend the swimming season into Spring and Autumn.
- > **Protection from debris**
Simply and effectively reduce maintenance and keep your pool free of debris, from garden dirt to leaves and insects.
- > **Save water**
Reduce up to 95% of water evaporation and save up to thousands of litres of water per month, during Summer.
- > **Australian made**
100% designed and produced in Australia.

Cut to size and ready to install

Henden takes the hassle out of sizing and installation. The Henden Solar Pool Cover is cut to size and delivered to site ready to install, saving you time on the job.

Colour	Product size	Product Code
Blue	6 x 3m	1537841
	7.5 x 3.5m	1537842
	8 x 4m	1537843
	9 x 4.5m	1537844
	Custom	1537840
Teal	6 x 3m	1546735
	7.5 x 3.5m	1546736
	8 x 4m	1546737
	9 x 4.5m	1546738
	Custom	1546739
Clear	6 x 3m	1546730
	7.5 x 3.5m	1546731
	8 x 4m	1546732
	9 x 4.5m	1546733
	Custom	1546734

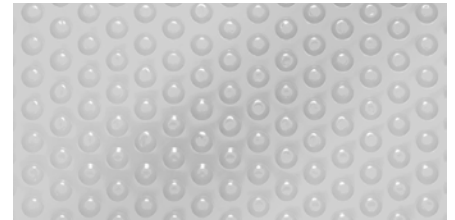
Available in three colours



Blue



Teal



Clear

Committed to sustainability

We minimise our impact on the environment through continuous improvement, adopting strategies such as source reduction, use of recyclable and recycled materials and encouraging re-use where possible, without compromising our commitment to quality.

Our environmentally friendly solar pool covers are:

- > Compliant with ISO14001 environmental standards
- > Contain up to 15% post-industrial recycled content
- > A 100% recyclable product

Our covers are approved by:

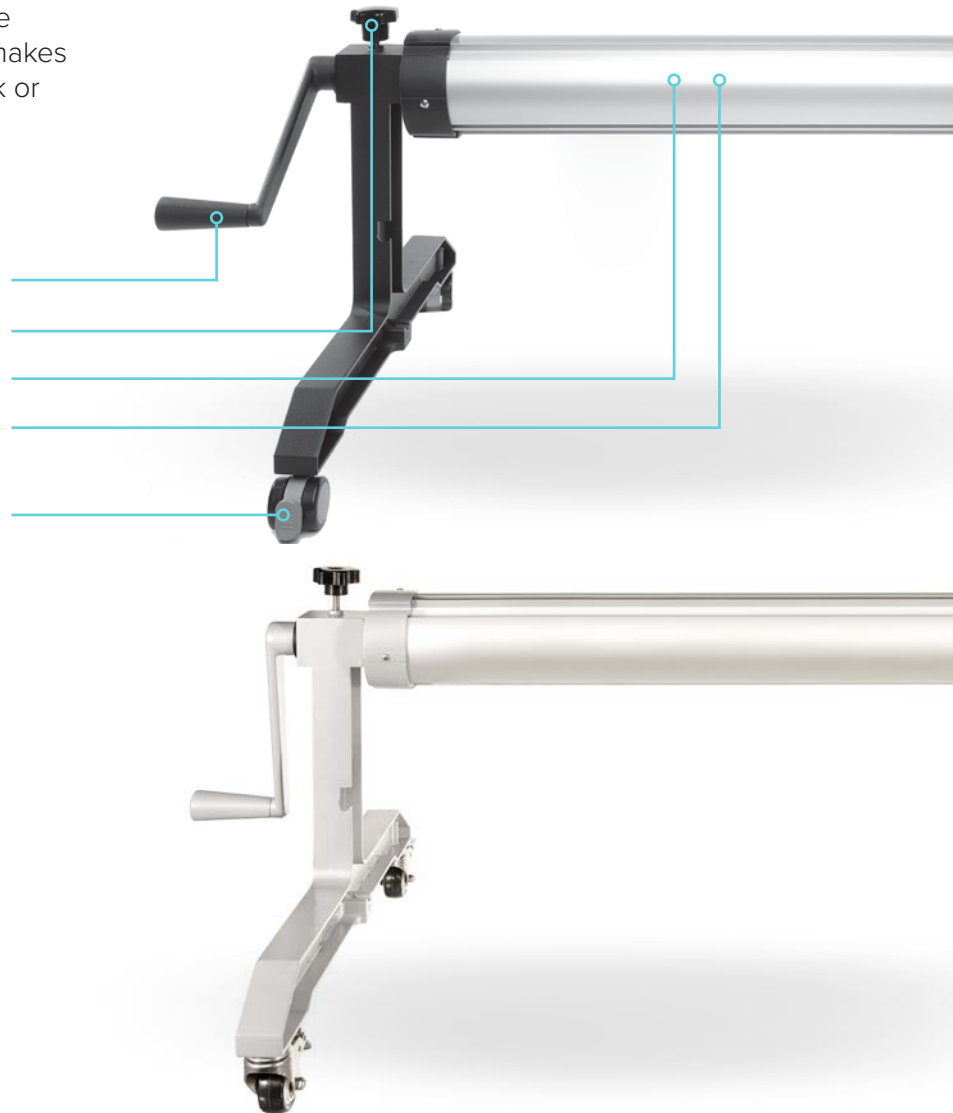


Note: Solar Pool Covers are not safety covers. They are not designed to support the weight of a person or pet. Potentially save thousands of litres of water per month during Summer

Mobile Pool Roller

A convenient and cost-effective solution to keep every swimming area safe and tidy and prevent damage to the cover. Built for one person operation, its lightweight design makes it easy to roll and unroll. Available in black or metallic silver to suit any pool aesthetic.

- > **Functional handle for ease of use**
- > **Full locking system to prevent unrolling**
- > **Rust resistant structure for longevity**
- > **One piece pool roller available for easy set up**
- > **Lockable wheels for convenient and safe movement around the pool area**



Features

- > Unrolls in less than a minute.
- > Available in classic colours: metallic silver and black, and a range of sizes to suit most pools.
- > Made of rust-resistant materials, including cast aluminium.
- > Functional handle to roll the solar pool cover on and off easily.
- > Full locking system to prevent unrolling when not in use.
- > Lockable caster wheels make it convenient and safe to move the cover around the pool area.
- > Includes a smart clamp system and straps to adjust and fasten your cover to the pool roller.
- > Includes over cover to protect the roller when not in use and extend lifespan.

Product Size

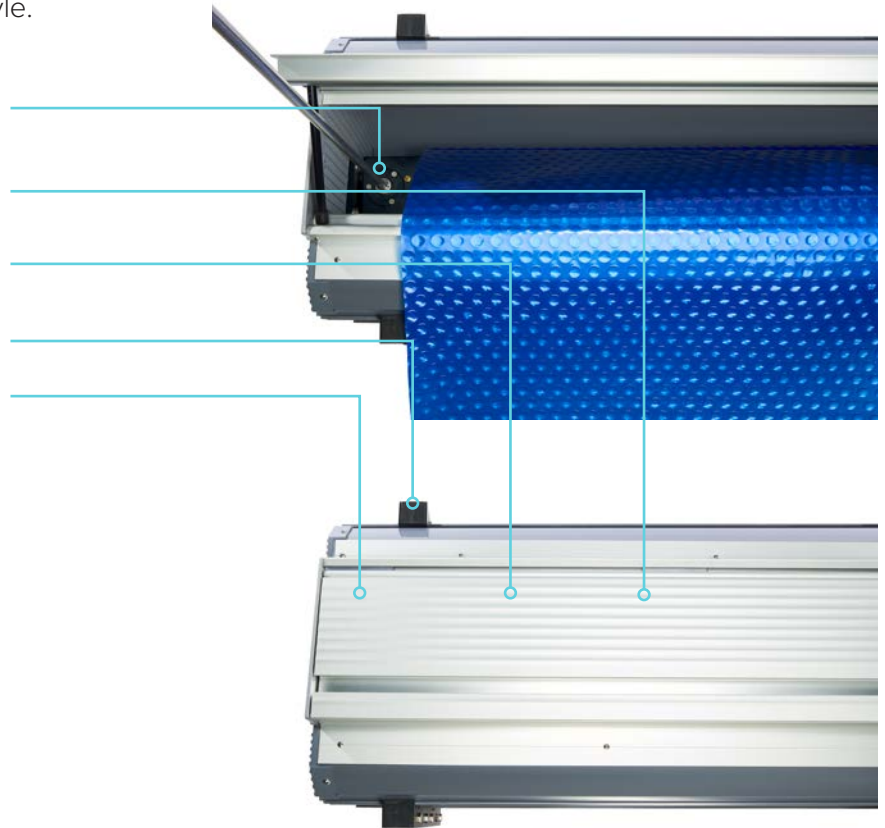
Available in a range of standard sizes to accommodate most pools.

Name	Size	Product Code	
		Silver	Black
Henden Mobile Pool Roller	3.9m	1537851	1537852
	4.9m	1537853	1537854
Henden One Piece Pool Roller	3m	1546306	1546300
	3.5m	1546307	1546301
	4m	1546308	1546302
	4.5m	1546309	1546303
	5m	1545310	1546304
	5.5m	1546311	1546305

In-Ground Box Cover

An innovative and compact solution that neatly stores the Henden Solar Pool Cover underground. The In-Ground Box Cover is made with strong, quality components that protect the Solar Pool Cover from UV rays and harsh weather when not in use. Designed for one person operation, the In-Ground Box Cover sits flush with paving and creates the perfect balance of functionality and style.

- > **Internal winder handle for easy access and use**
- > **Clever design to sit flush for a clean aesthetic**
- > **Anodised and corrosion resistant aluminium lid for longevity**
- > **Sealed bearings for protection**
- > **Available in compact sizes for smaller pools**



Features

- > Anodised aluminium lid that sits flush to decking or paving.
- > Built in winder handle that is safely stored inside the box for easy access.
- > Durable internal mechanisms to prevent rust or corrosion.
- > Sealed bearings to prevent sand, water or debris from entering the unit.
- > Available in a range of sizes to accommodate any shaped pool.



* The Henden In-Ground Cover Box is made to order and delivered directly to site only. We recommend that this product be installed by a pool or landscape professional.

Product Size

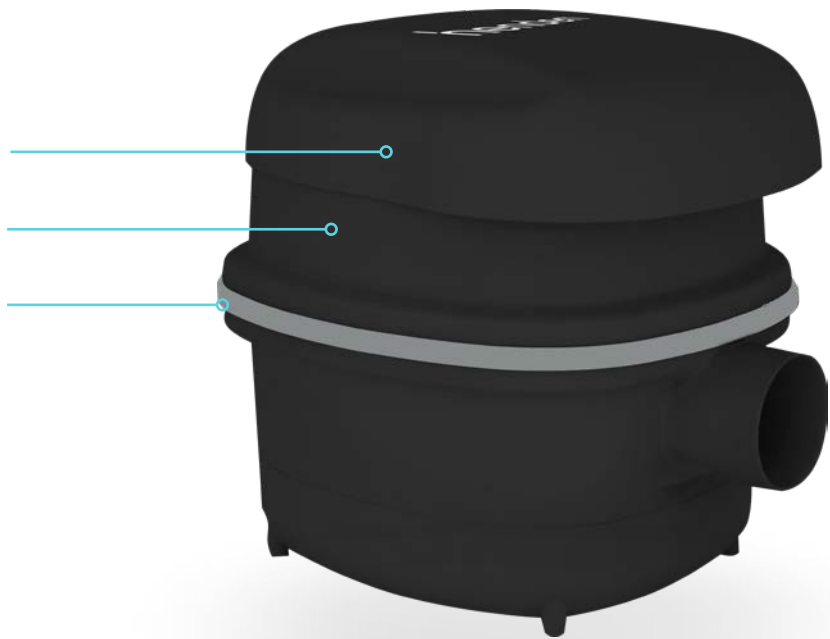
Available in a range of standard sizes to accommodate most pools.

Model	Size	Product Code
Henden In-Ground Cover Box	3m	1537845
	3.5m	1537846
	4m	1537947
	4.5m	1537848
	5m	1537849
	5.5m	1537850
Henden Compact In-Ground Cover Box	3m	1546312
	3.5m	1546313
	4m	1546314
	4.5m	1546315

Spa Blower

Designed to deliver maximum power with minimal noise, the Henden Spa Blower is ideal for both outdoor swimming pools and in-ground spas.

- > **Quad Port Air Delivery System for extended motor life**
- > **Lower motor operation temperature for reduced noise levels**
- > **Supplied wall bracket for easy installation**

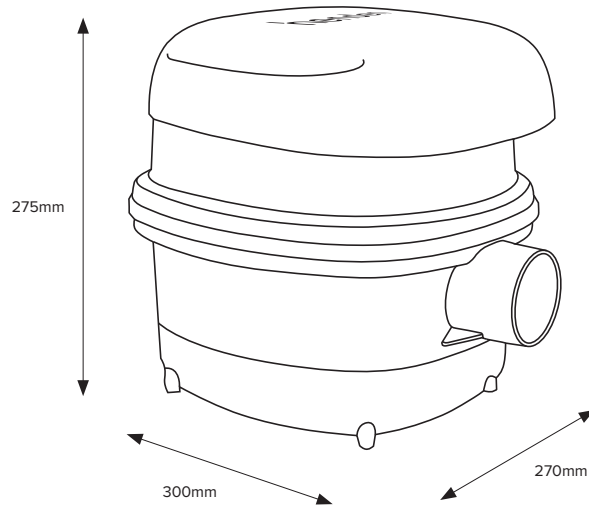


Features

- > Quad Port Partition to protect the motor from moisture build up.
- > Powerful product that delivers endless bubbles to enhance the total spa experience.
- > Unique design to reduce noise levels.
- > Sleek design to match Henden Pool Pad.

Specifications

Fan	Two stage
Speed	Single speed
R.P.M.	29,000
Input	240 VAC 50/60 Hz
Power	1100 Watt
Current	7 Amp
Airflow	3,078 LPM
Air Supply	Through-flow discharge
kPa	28kPa
IP Rating	23



Warranties

Our warranties are clear, so you know exactly what you're covered for. Labour is included in infield warranties. Labour is not included in return to branch warranties and may include a call out fee*.

Cartridge Filters – Residential Application*			
Product Description	Warranty		
	Cartridge Filter	Cartridge Element + Internal Components including, o-rings, gaskets and gauges	Labour
Henden Single Element Cartridge Filter 100	5 Year	1 Year	1 Year
Henden Single Element Cartridge Filter 150	5 Year	1 Year	1 Year
Henden Single Element Cartridge Filter 200	5 Year	1 Year	1 Year
Henden Multi Element Cartridge Filter 330	5 Year	1 Year	1 Year

Cartridge Filters – Commercial Application*			
Product Description	Warranty		
	Cartridge Filter	Cartridge Element + Internal Components including, o-rings, gaskets and gauges	Labour
Henden Single Element Cartridge Filter 100	1 Year	6 Months	6 Months
Henden Single Element Cartridge Filter 150	1 Year	6 Months	6 Months
Henden Single Element Cartridge Filter 200	1 Year	6 Months	6 Months
Henden Multi Element Cartridge Filter 330	1 Year	6 Months	6 Months

Media Filters – Residential Application*			
Product Description	Warranty		
	Tank	Internals & Gauge	Labour
Henden Media Filter 2140	10 Year	1 Year	1 Year
Henden Media Filter 2540	10 Year	1 Year	1 Year
Henden Media Filter 2550	10 Year	1 Year	1 Year
Henden Media Filter 2850	10 Year	1 Year	1 Year
Henden Media Filter 3250	10 Year	1 Year	1 Year

Pumps	
Product Description	Warranty
Henden Single Speed Pump 200	Pump: 0-2 years infield. 3-4 years return to branch. Consumables: 0-1 year infield only.
Henden Single Speed Pump 300	
Henden Single Speed Pump 420	
Henden 3 Speed Pump	
Henden 280 Variable Speed Pump with Bluetooth	
Henden 400 Variable Speed Pump with Bluetooth	

Inverter Heat Pumps – Residential Application*				
Product Description	Warranty			
	Heat Exchanger	Compressor	Componentry	Labour
Henden Essential Inverter Heat Pump	25 Year*	5 Year	3 Year	1 Year
Henden Elevate Heat Pump	25 Year*	10 Year	5 Year	1 Year

Inverter Heat Pumps – Commercial Application*				
Product Description	Warranty			
	Heat Exchanger	Compressor	Componentry	Labour
Henden Essential Inverter Heat Pump	1 Year	1 Year	1 Year	1 Year
Henden Elevate Heat Pump	1 Year	1 Year	1 Year	1 Year

* 25 Year Titanium heat exchanger warranty against corrosion (casing of heat exchanger is covered for 2 years).

Chlorinators – Residential Application*			
Product Description	Warranty		
	Power Supply	Cell	Labour
Henden Compact Salt & Mineral Chlorinator 15g	3 Year	3 Year	1 Year
Henden Compact Salt & Mineral Chlorinator 25g	3 Year	3 Year	1 Year
Henden Compact Salt & Mineral Chlorinator 35g	3 Year	3 Year	1 Year
Henden Compact Salt & Mineral 25g (low salt) Chlorinator 35g (low salt)	3 Year	3 Year	1 Year
Henden Compact Salt & Mineral Chlorinator	3 Year	3 Year	1 Year

Chlorinators – Commercial Application*			
Product Description	Warranty		
	Power Supply	Cell	Labour
Henden Compact Salt & Mineral Chlorinator 15g	1 Year	1 Year	1 Year
Henden Compact Salt & Mineral Chlorinator 25g	1 Year	1 Year	1 Year
Henden Compact Salt & Mineral Chlorinator 35g	1 Year	1 Year	1 Year
Henden Compact Salt & Mineral Chlorinator 25g (low salt)	1 Year	1 Year	1 Year
Henden Compact Salt & Mineral Chlorinator 35g (low salt)	1 Year	1 Year	1 Year

Acid Dosing Pumps – Residential Application*		
Product Description	Warranty	Labour
Henden Acid Dosing Pump	1 Year	1 Year

Acid Dosing Pumps – Commercial Application*		
Product Description	Warranty	Labour
Henden Acid Dosing Pump	6 Months	6 Months

Warranties

Automation	
Product Description	Warranty
Henden Control	0-3 years infield. Probes: 24 months return to branch.
Henden Balance	
Henden Control Expansion Module 10A	
Henden Control Expansion Module 15A	

Robotic Pool Cleaners	
Product Description	Warranty
H3 Robotic Pool Cleaner	0-2 years return to branch.

Pool Covers	
Product Description	Warranty
Henden Solar Pool Cover (all sizes and colours)	10 year pro rata warranty: 1-4 years: 100% (discount off replacement) 5-7 years: 50% (discount off replacement) 8-10 years: 25% (discount off replacement)
Henden Mobile Pool Roller (all sizes and colours)	Complete roller: 0-5 years infield Cover straps and clips: 0-1 years infield
Henden One Piece Pool Roller (all sizes and colours)	Complete roller: 0-5 years infield Cover straps and clips: 0-1 years infield
Henden In-Ground Cover Box (all sizes and colours)	Structure: 0-5 years infield Gear box: 0-3 years infield Outer lid and hinge: 0-1 years infield Cover straps and clips: 0-1 years infield
Henden Compact In-Ground Cover Box (all sizes and colours)	Structure: 0-5 years infield Gear box: 0-3 years infield Outer lid and hinge: 0-1 years infield Cover straps and clips: 0-1 years infield
Henden Pool Roller Cover (all sizes and colours)	12 months infield

Spa Equipment	
Product Description	Warranty
Henden Spa Blower	1 Year infield.

* Residential Application defined as: Any structure containing water to a depth greater than 300 mm and used primarily for swimming, wading, paddling or the like, including a bathing or wading pool, or spa pool.

* Commercial Application defined as any other use of the product other than defined in the domestic application is considered to be a commercial application.





hendenpools.com.au

Reece. Works for you.

Call **1800 032 566** or visit www.reece.com.au for your nearest Reece Irrigation & Pools Store.
Due to limitations in the printing process the colours in this brochure are a guide only.

V14 [BROCHURE CODE 2131665]

