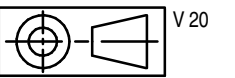


FASCO MOTORS MAY PROVIDE TECHNICAL ASSISTANCE TO OUR CUSTOMERS IN MANY AREAS. HOWEVER, SINCE FASCO MOTOR IS NOT AWARE OF ALL DATA CONCERNING THE USE AND APPLICATION OF THIS MOTOR, THE FITNESS OF THE MOTOR FOR THE APPLICATION MUST BE DETERMINED BY AND IS THE RESPONSIBILITY OF THE CUSTOMER.



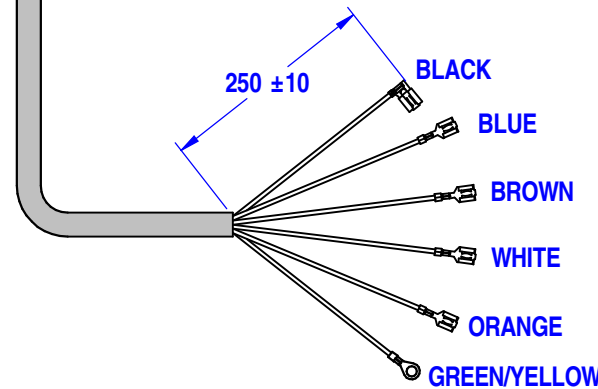
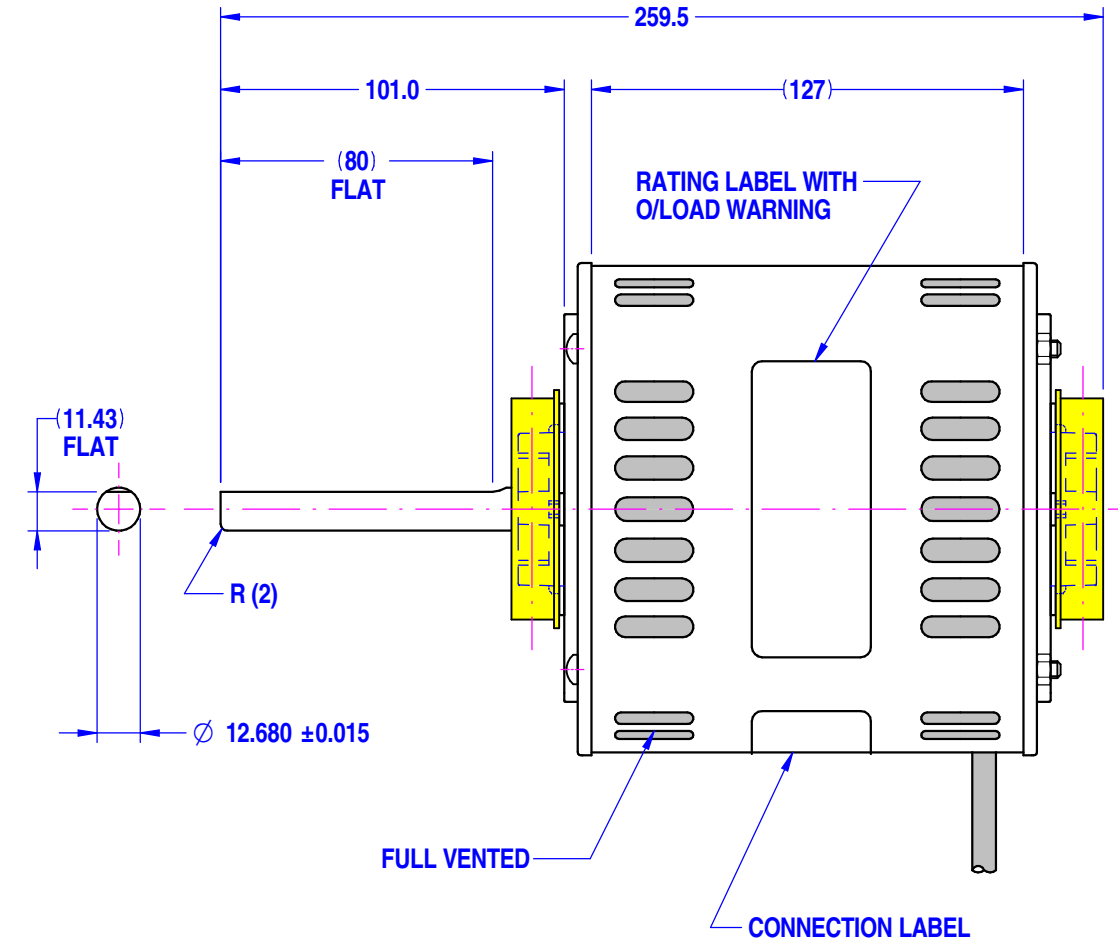
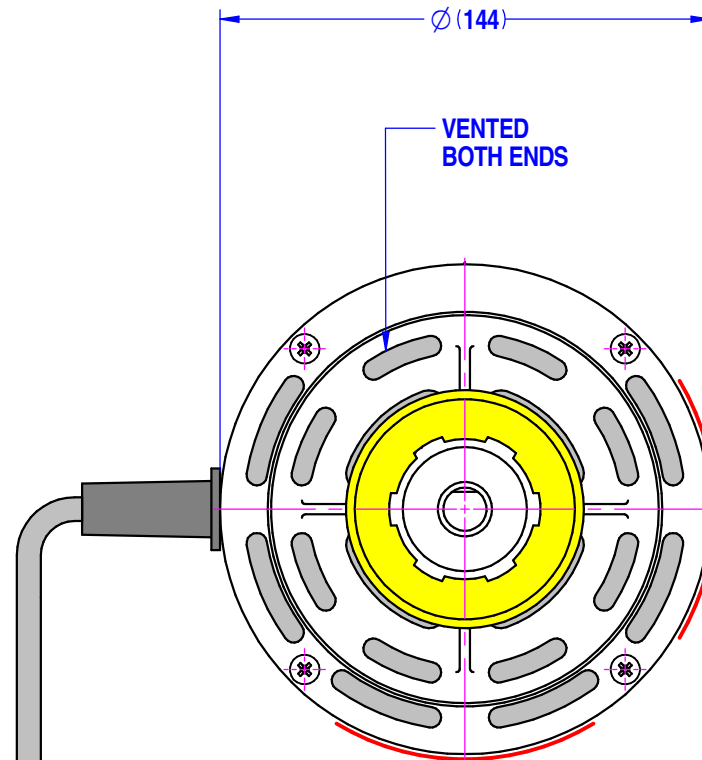
MOTOR SPECIFICATION

FINAL INSPECTED MOTORS MUST COMPLY WITH ELECTRIC MOTOR VIBRATION SPECIFICATION (ES049)

THIRD ANGLE PROJECTION

8061S082-03

Q.R. No.	4482	CUSTOMER NO.	-
CUSTOMER	LOVELOCK LUKE		
MOTOR RATING	VOLTS	240	Hz 50 Ph 1 Duty A.O.M.
	RPM.	1200	4.4 AMPS
	NOM. OUTPUT	600 WATTS	
ROTATION	CLOCK WISE AT SHAFT END		
CAPACITOR	START	-----	μF/V RUN 15/440 μF/V
ENCLOSURE	FULLY VENTED		
MOTOR TYPE	CSR	INSULATION CLASS	B
THERMAL PROTECTION	AUTO RESET OVERLOAD		
APPLICATION	FAN CENTRIFUGAL - SHAFT HORIZONTAL		
BEARING D.E.	6202 DDU	LUBRICATION	LONG LIFE, WIDE RANGE
BEARING N.D.E.	6202 DDU		
SUPPLY LEAD	FLEX 1100±30 GREY		
EARTH PROVISION	VIA SUPPLY LEAD		
BASIC BUILD SPECIFICATION	305-570-03	PAINT/ COLOUR	PC GREY PLAIN E/SHIELDS
PERFORMANCE SPECIFICATION	SP85026-04		
CONNECTION DIAGRAM	393-081	RATING LABEL	SSTDAUTO.FMT



FASCO DESIGNED AND MANUFACTURED TO AUSTRALIAN STANDARDS & SPECIFICATIONS

MODEL **8061S082-03**

VOLTS 240	R.P.M. 1300	CLASS B130	Hz 50
WATTS 600	TYPE CSR	μF/V S NIL	Ph 1
AMPS 3.8	DUTY AOM	μF/V R 15/440	PROT. AUTO

WARNING MOTOR FITTED WITH INTERNAL AUTO RESET OVERLOAD AND MAY RESTART WITHOUT WARNING

SPECIAL REQUIREMENTS:

1) CAPACITOR SUPPLIED BY CUSTOMER.

UNLESS OTHERWISE SPECIFIED : DIMENSIONS ARE IN MM. TOLERANCES

DECIMALS	ANGULAR
.X ± 1.0	± 30'
.XX ± 0.1	

THIS DRAWING REMAINS THE PROPERTY OF FASCO MOTORS AND MAY NOT BE USED, COPIED OR ISSUED WITHOUT WRITTEN PERMISSION FROM FASCO MOTORS

MOTOR WEIGHT	8.5 kg.	
DRAWN	Veeranut	26/10/2018
CHECKED	Pipat	27/10/2018
RELEASED	Kanapote	01/11/2018
SCALE	N.T.S.	

FASCO THAILAND

29/7-8 MOO 3, BANGKRUAY - SAINOI Rd., BANGKRANG, MUANG NONTABURI DISTRICT, NONTABURI 11000 THAILAND

FRAME	MOTOR	
STATUS	R	
SHEET	B026:8555V-600-KAD:LGL	
A3	DWG. NO.	8061S082-03
	REVISION	U

MIC1804207 By: Veeranut Date:26/10/2018 MIC U: REMOVE C-TICK FROM LABEL