



Changing Places Folding Shower Seat

Model RBA4157-777-005



Materials & Features

Folding shower seat is designed to suit all requirements of Changing Places (2020) when installed correctly. Unit is slip-resistant, self-draining and support legs extend to the floor for increased stability. Seat is secured to frame from underneath to eliminate fixings on the seat top for improved comfort and infection control. Seat folds in an upwards direction.

Technical Detail

Frame: 1.2mm x 25mm x 25mm, 304 Stainless Steel, Satin Finish
 Seat: One-piece, 12mm phenolic
 SWL: 180kgs

Available Products

RBA4157-777-005 Changing Places (2020) Folding Shower Seat

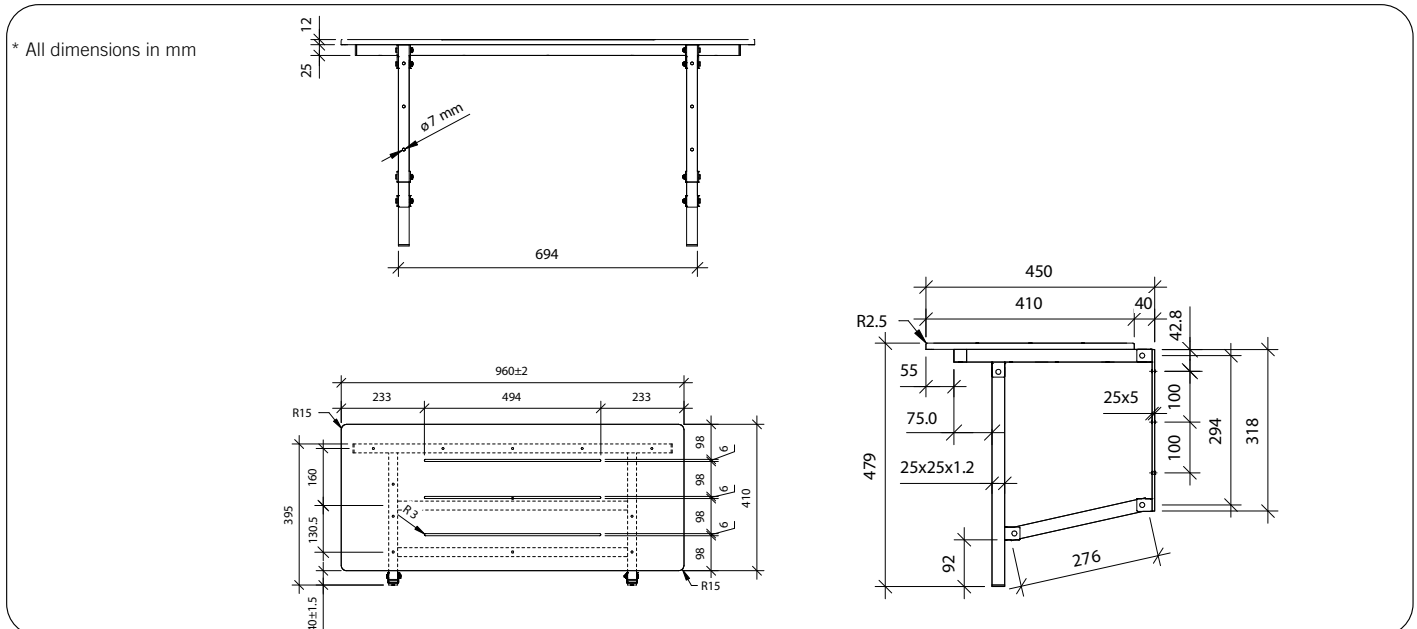
Related Products

B819687 Bobrick Accessible Compliant Folding Shower Seat to AS1428.1-2009

Installation

Warning: Folding Shower Seats are no stronger than the anchors or walls to which they are attached and therefore must be firmly secured in order to support the loads for which they are intended.

Important: Installation instructions and current rough-in details should be furnished with each fixture. Do not rough in without certified dimensions. Dimensions are subject to manufacturer's tolerance of +/-10mm.



As improvements in the design and performance of RBA products are continuous, specifications may be subject to change without notice. The illustrations and descriptions herein are applicable to production as of the date of this Technical Data Sheet. Revised 06/20 © 2020 by RBA Group TD/Model RBA4157-777-005/0620