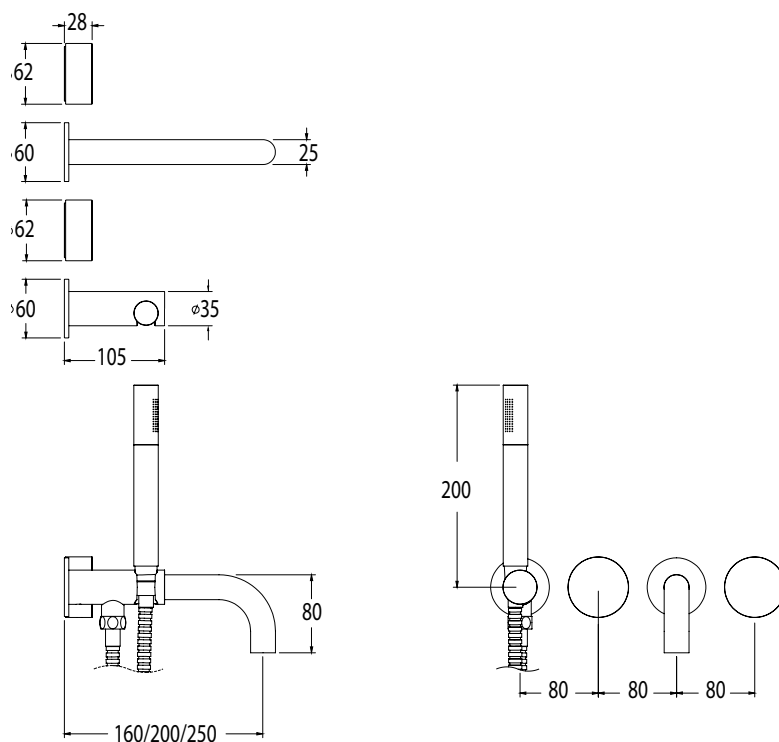


# PURE BATH MIXER SYSTEM WITH HANDSHOWER



Dimensions are nominal measurements only.

## SPECIFICATIONS

|                                 |  |
|---------------------------------|--|
| <b>Recommended Use</b>          | Domestic, Hotel and Commercial   |
| <b>Finish</b>                   | Chrome, Matt Black, Rose Gold,<br>Brushed Gunmetal                         |
| <b>Material</b>                 | Brass  |
| <b>Pressure Rating</b>          | Recommended working pressure 300 - 500Kpa                                  |
| <b>Temperature Rating</b>       | Max continuous working temperature 65 deg. C                               |
| <b>Suitable Hot Water Units</b> | Storage Tank: Yes<br>Continuous Flow: Yes<br>Gravity Feed: Not recommended |



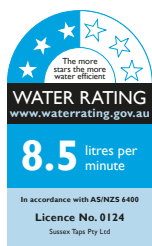
To see the complete MILLI range go to [www.reece.com.au/bathrooms](http://www.reece.com.au/bathrooms)

## CLEANING RECOMMENDATIONS

We recommend the use of soapy water or approved cleaners.

This product should not be cleaned with abrasive materials.

Damage caused by any improper treatment is not covered by the product warranty. Refer to Warranty Conditions.



**Disclaimer:** Products in this specification manual must by regulation be installed by licensed and registered trade people. The manufacturer/distributor reserves the right to vary specifications or delete models from their range without prior notification. Dimensions are nominal measurements only. Dimensions and set-outs listed are correct at time of publication however the manufacturer/distributor takes no responsibility for printing errors.

Tech Page Version 1



Milli

# PURE BATH MIXER SYSTEM WITH HANDSHOWER



Matte Black



Brushed Gunmetal



Rose Gold

Don't risk it, use a licensed plumber.™

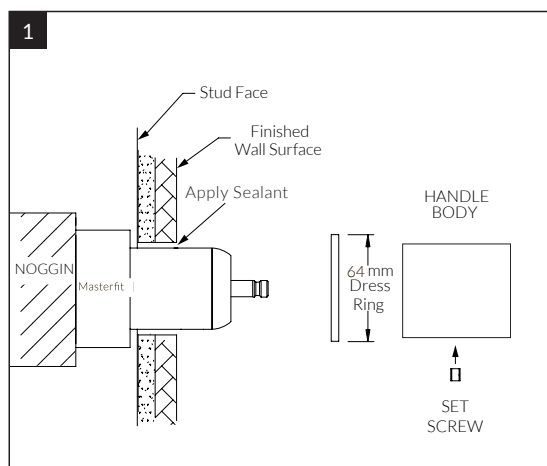


# PURE BATH MIXER SYSTEM WITH HANDSHOWER

## INSTALLATION INSTRUCTIONS

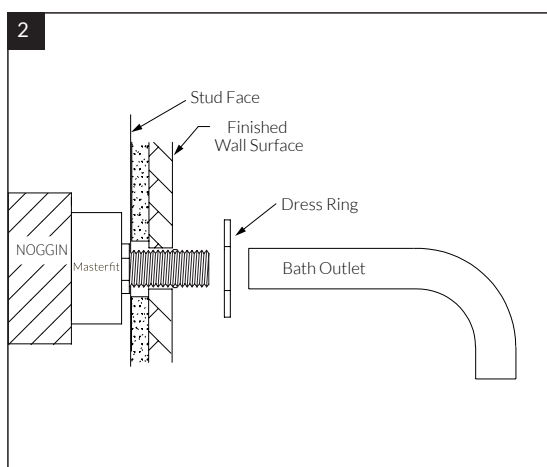
Tapware is to be installed by a Licensed Plumber in accordance with AS/NZS 3500:2003

Recommended working water pressure 300-500 kpa.  
Maximum water temperature is 65 deg.c.



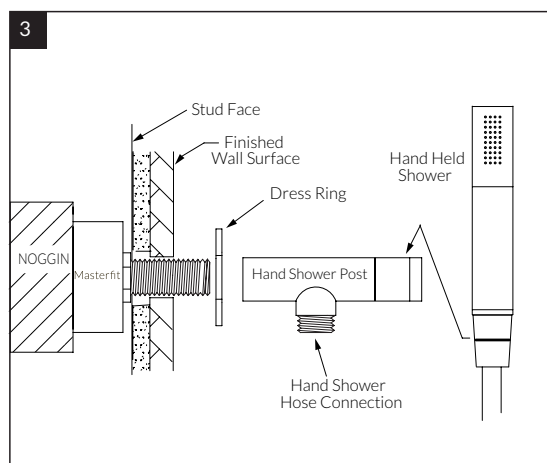
### MIXER DRESS KIT

- Remove Mixer protective cover.
- Seal the wall surface around the Mixer and Outlet threads using appropriate sealant.
- Fit the Dress Ring to the Mixer.
- Fit the Handle Body onto the Mixer Cartridge Lever and ensure full engagement.
- Secure the Handle Body by tightening the set screw using the Allen Key provided (tighten well).
- To complete installation, operate the Mixer(s) checking the flow of both hot and cold water from the Outlet. Check all fittings and fixtures for water leaks.



### OUTLET FIT OFF

- Apply sealing tape (Teflon) to male thread.
- Place Dress Ring over outlet
- Fit and align the Outlet.
- Push Dress Ring back to meet the wall.



### HAND SHOWER FIT OFF

- Apply sealing tape (Teflon) to male thread.
- Place Dress Ring over prepared male thread.
- Fit Hand Shower Post.
- Connect the Hand Shower Hose to Post.

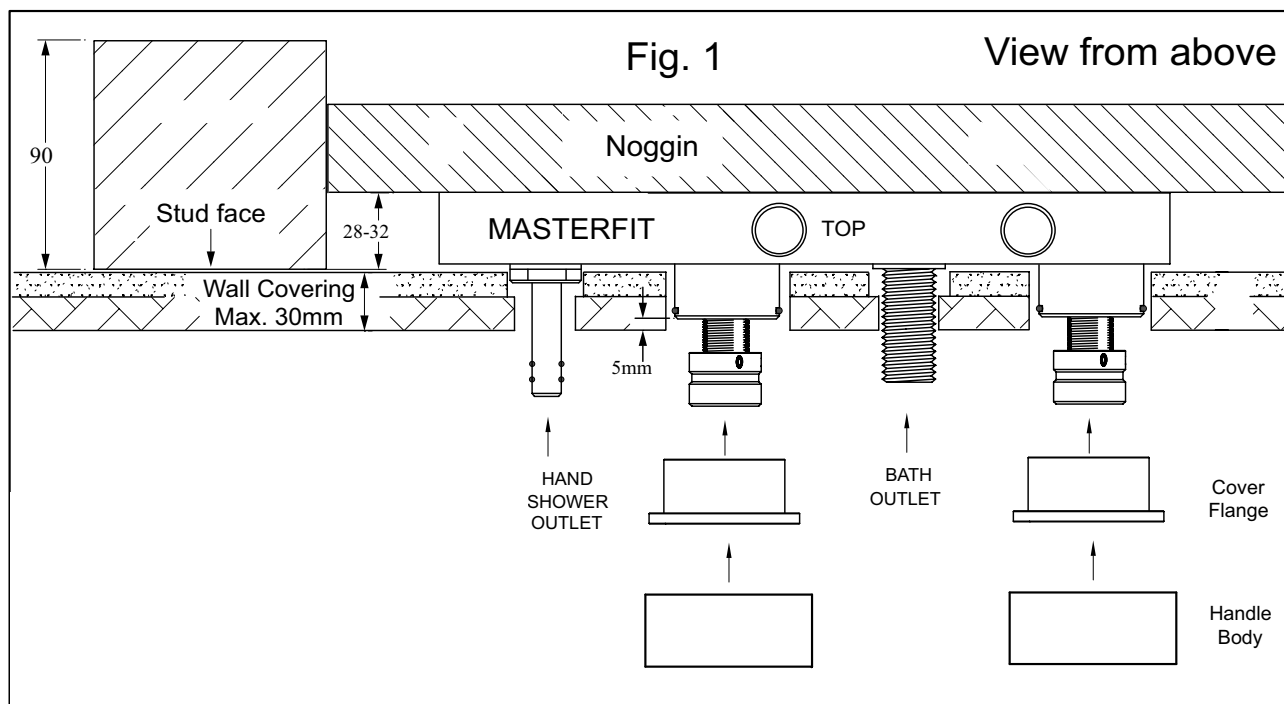
Plumbers, please ensure a copy of the installation instructions is left with the end user for future reference

# PURE BATH MIXER SYSTEM WITH HANDSHOWER

## INSTALLATION INSTRUCTIONS

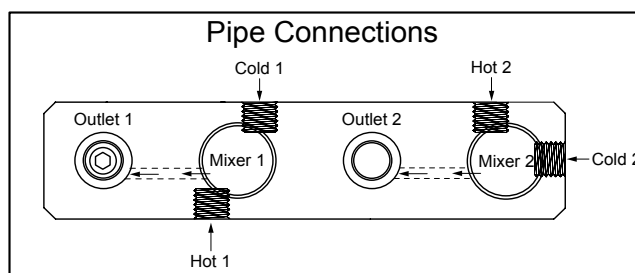
Tapware is to be installed by a Licensed Plumber in accordance with AS/NZS 3500:2003

Recommended working water pressure 300-500 kpa.  
Maximum water temperature is 65 deg.c.



### ROUGH IN PLUMBING

- Prior to installing, calculate the finished wall thickness to ensure enough adjustment is available when fitting the Handle.
- The Masterfit is supplied with a plastic cover to protect the Mixer during Plastering and Tiling.
- The Hot/Cold Ports are marked on the shoulder of the Masterfit body to indicate the correct connection.
- Note: Do not cross Hot/Cold connections from Mixer 1 to Mixer 2 (See Pipe Connections)
- Set a Nogging between 28 - 32mm back from the face of the wall stud. (see Fig.1).
- Using the screws provided, fix the Mixer to the Nogging.
- Ensure the Masterfit is aligned square and well secured.
- Flush all water feed lines. Pipes and fittings must be free from any dirt and debris before connecting to the Mixer.
- Once all water fittings are connected, check Hot/ Cold water flow by operating the Mixer.
- Check for any water leaks.
- Once all checks have been made, leave the Mixers in the closed position and replace the protective cover.
- Store remaining parts in a safe place until wall coverings have been completed and final fit-off is required (see Dress finishing).



### PLUMBER NOTE:

- On-site high pressure line testing must be conducted with the Mixer in the closed position. (STATIC TEST ONLY)
- Under no circumstances is the Mixer to be opened when exceeding the maximum stated water pressure.
- At the completion of the testing, do not relieve any high pressure by opening the Mixer.
- Exposing the internals of the Mixer Cartridge to higher than specified water pressures, will void the manufacturer's warranty.

Plumbers, please ensure a copy of the installation instructions is left with the end user for future reference