

Roca Inspira Round Above Counter Basin 370mm x 370mm Matte White

1806217

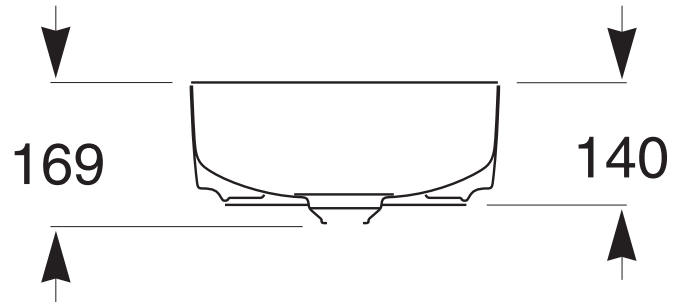
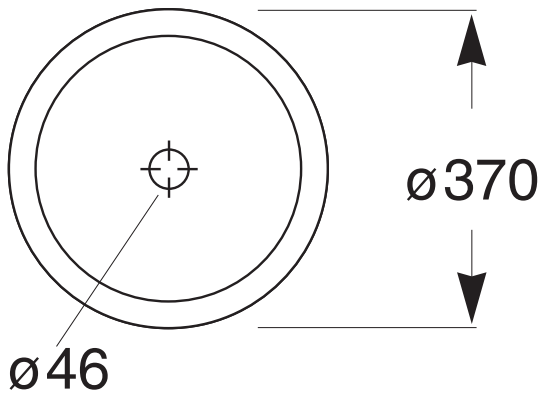
SPECIFICATIONS

Recommended Use	Domestic, Hotel & Commercial
Basin Colour	White
Basin Finish	Matte
Material	FINECERAMIC®
Mounting	Countertop
Overflow Configuration	No Overflow
Taphole Configuration	No Taphole
Bowl Capacity	11.2L
Weight	5.2kg
Plug & Waste Size	Open Waste
Plug & Waste	Sold Separately
Tapware	Sold Separately

WARRANTY

Warranty - Domestic Use	15 Years
Spare Parts & Labour	12 Months

Please refer to Warranty Page for full Terms and Conditions



Dimensions are nominal measurements only.

CLEANING RECOMMENDATIONS:

We recommend the use of soapy water or approved cleaners. This product should not be cleaned with abrasive materials. Damage caused by any improper treatment is not covered by the product warranty. Refer to Warranty Conditions

Disclaimer: Products in this specification manual must by regulation be installed by licensed and registered trade people. The manufacturer/distributor reserves the right to vary specifications or delete models from their range without prior notification. Dimensions are nominal measurements only. Dimensions and set-outs listed are correct at time of publication however the manufacturer/distributor takes no responsibility for printing errors.

Published 05/11/2021

To see the complete Roca range go to
www.reece.com.au