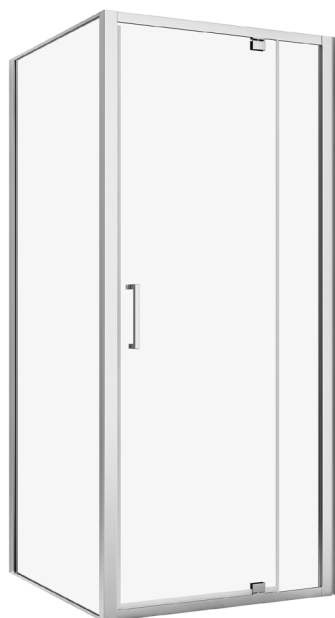
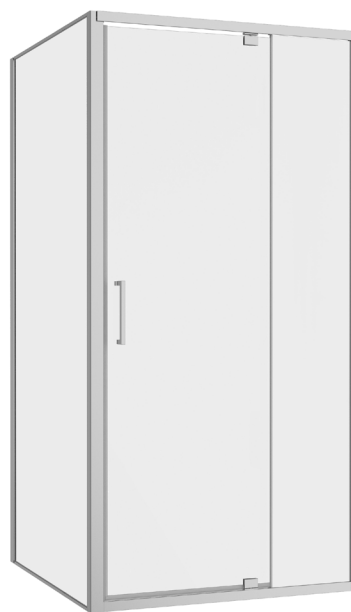




BASE MKII SHOWER SCREENS



900 x 900 x 2000mm



1000 x 1000 x 2000mm

Dimensions are nominal measurements only.

To see the complete Base range go to www.reece.com.au/bathrooms

SPECIFICATIONS

Recommended use	Domestic, Hotel, and Commercial
Material	6mm toughened glass shower screen with fully framed chrome door and return panel. Square exterior chrome door handle.
Frame & Support Rail Colour	Chrome
Screen Height	2000mm
Door Width	900: Min 868 - Max 878mm 1000: Min 968 - Max 978mm
Return Width	900: Min 854 - Max 866mm 1000: Min 954 - Max 966mm
Door Opening	Right or Left

CLEANING RECOMMENDATIONS

We recommend the use of soapy water or approved cleaners.

This product should not be cleaned with abrasive materials.

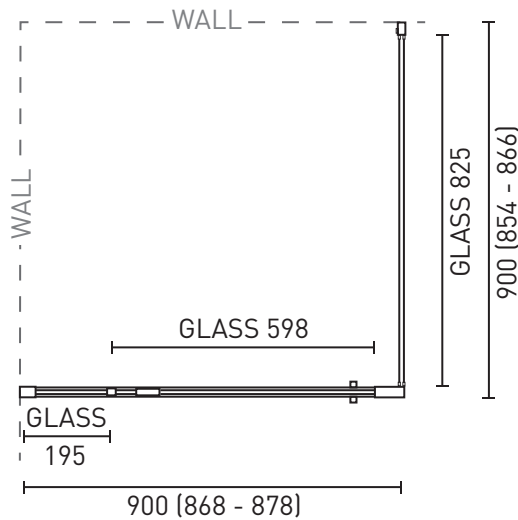
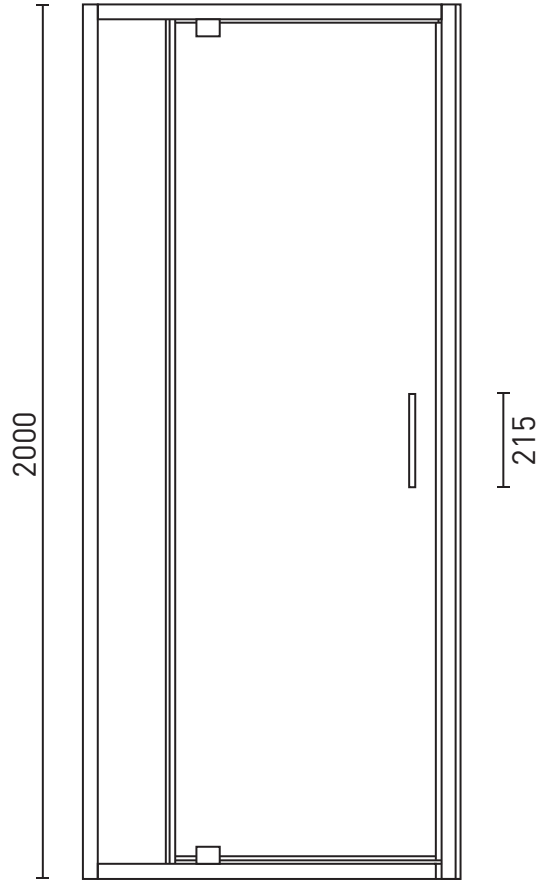
Damage caused by any improper treatment is not covered by the product warranty- refer to Warranty Conditions.

Disclaimer: Products in this specification manual must by regulation be installed by licensed and registered trade people. The manufacturer/distributor reserves the right to vary specifications or delete models from their range without prior notification. Dimensions are nominal measurements only. Dimensions and set-outs listed are correct at time of publication however the manufacturer/distributor takes no responsibility for printing errors.

Tech Page Version 1



BASE SHOWER SCREENS



Note: Screen only. Shower base not included.

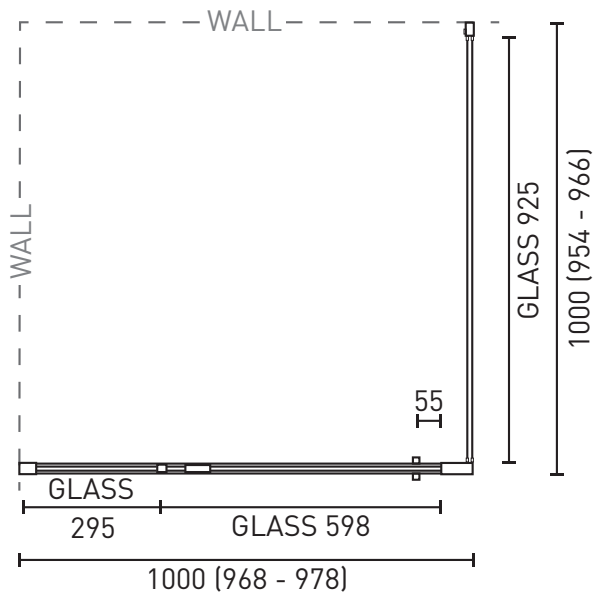
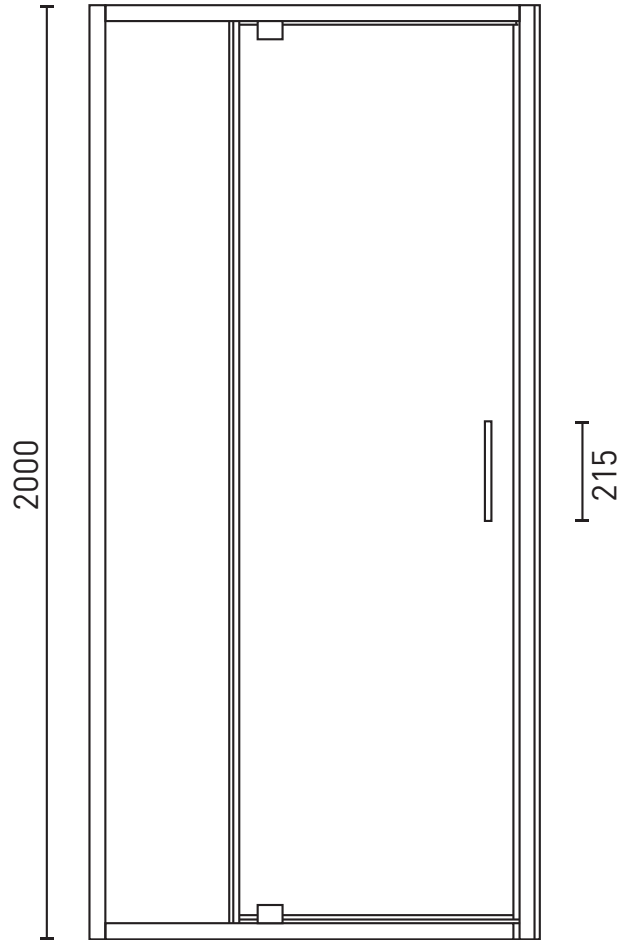
Disclaimer: Products in this specification manual must by regulation be installed by licensed and registered trade people. The manufacturer/distributor reserves the right to vary specifications or delete models from their range without prior notification. Dimensions are nominal measurements only. Dimensions and set-outs listed are correct at time of publication however the manufacturer/distributor takes no responsibility for printing errors.

Tech Page Version 1





BASE SHOWER SCREENS





BASE SHOWER SCREENS

Important Pre-Installation Information

- Please read this entire instruction book before commencing installation.
- A licenced tradesman must be used for the installation.
- Ensure there is a gasket between all glass and metal components.
- Leave the plastic protectors on the glass corners until the last possible moment and handle with care.
- Instructions to install the shower tray are included with the shower tray.
- In cold climates, warming the gaskets and seals with hot water or a hairdryer will assist installation.

Maintenance

If water alone is not enough to clean the glass, Decina recommends the use of mild detergent solutions only.

Tools Required



Silicone Sealant



Drill



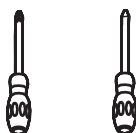
Level



Rubber Mallet



Pencil



Phillips Screwdriver



Tape Measure



Cutting Pliers



Utility Knife



6mm (1/4") and
3mm (1/8") Drill Bits



Safety Goggles



Gloves

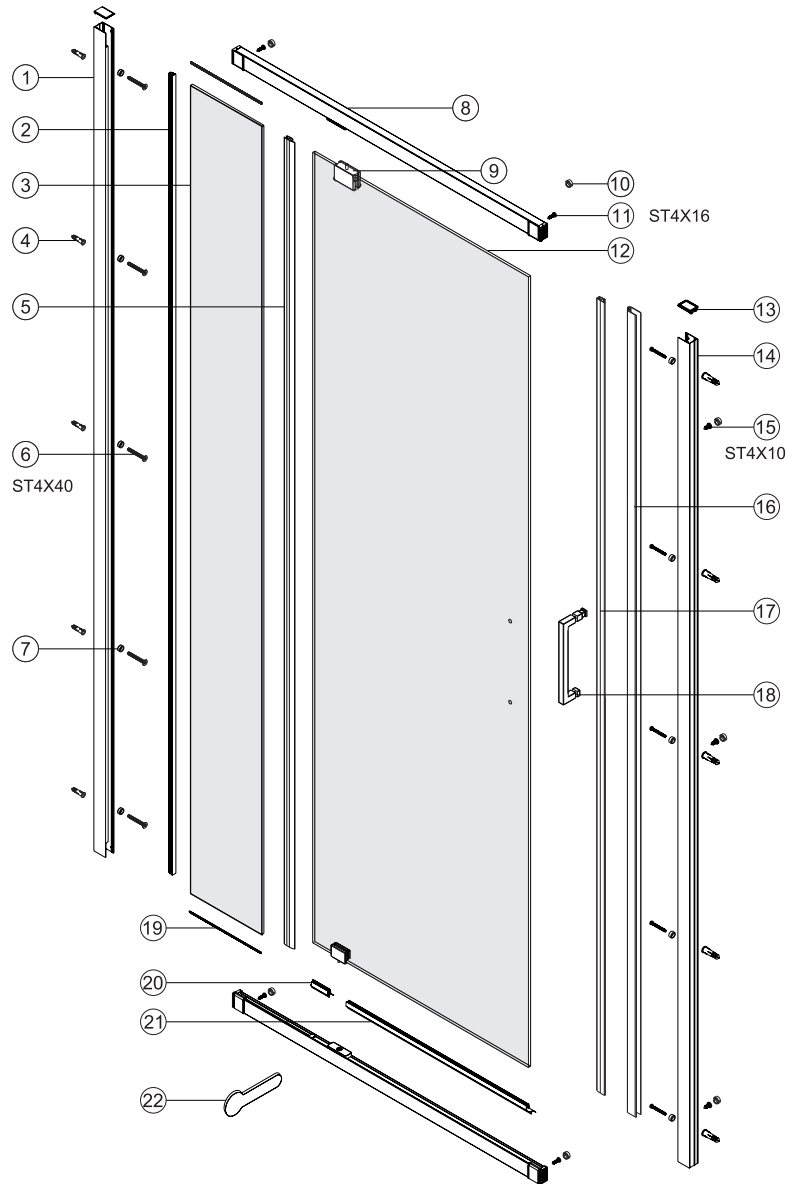
* Use the correct type of drill bit for the material being drilled, with 6mm required for anchor fixing and 3mm used for screwing directly into the wall studs.

** As with all toughened glass, take care while handling and wear safety goggles and gloves for personal protection.



BASE SHOWER SCREENS

Parts List of Door



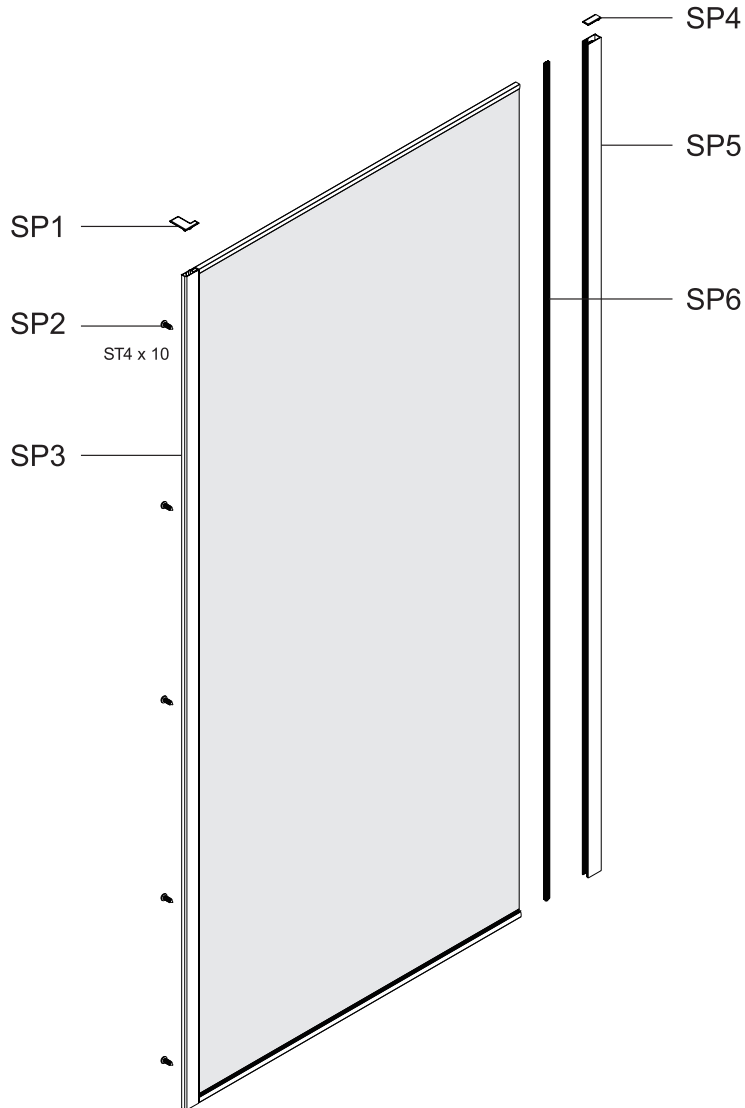
NO	Qty	Description
1	1	Wall channel
2	1	Squeeze gasket
3	1	Fixed panel
4	10	Wall anchor
5	1	Side gasket
6	10	Screw ST4X40
7	10	Washer
8	2	Rail
9	2	Pivot cap
10	7	Screw cap
11	4	Screw ST4X16

NO	Qty	Description
12	1	Glass door
13	2	Wall channel cap
14	1	Wall channel
15	3	Screw ST4X10
16	1	Magnet channel
17	1	Magnet gasket
18	1	Handle
19	2	Squeeze gasket
20	1	Bottom gasket
21	1	Bottom gasket
22	1	Gasket tool



BASE SHOWER SCREENS

Parts List of Return



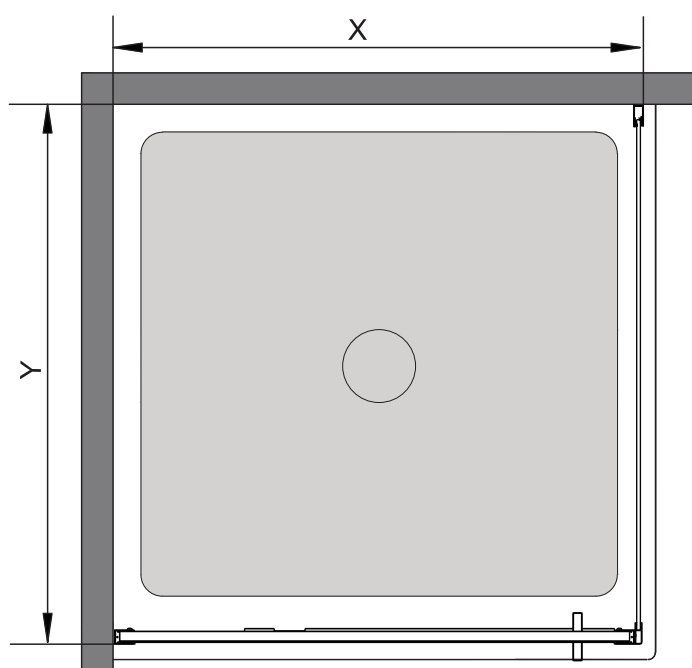
NO	Qty	Description
1A	1	Channel cap L
1B	1	Channel cap R
2	5	ST4 x 10
3	1	Return panel assembling
4	1	Channel cap extrusion
5	1	Wall Channel
6	1	Squeeze gasket



BASE SHOWER SCREENS

Determining Wall Channel Location

When commencing step 1 on the following page, please refer to this drawing and the tabulated dimensions for your size of system to assist in the correct location of the wall channels.



Size	X
900	868-878
1000	968-978

Size	Y
900	854-866
1000	954-966

- Locate the size of your shower screen in column 1 and use the value for X and Y on the same line to find the distance from the shower wall to the outside edge of the wall channels. If a shower base is fitted, do not measure from the edge of the shower base to determine the position of the wall channel.
- If your wall and shower base are not at right angles the glass will not push fully into the wall channel at the top or bottom. This misalignment is acceptable if not exceeding 15mm, however the overall shower size will then increase by the amount of this misalignment.



BASE SHOWER SCREENS

1

Size	X
900	868-888
1000	968-988

4 $\Phi 6$
 5
 6 INSIDE SP5
 7
 SP5
 X
 1
 2
 3 INSIDE \Rightarrow

2

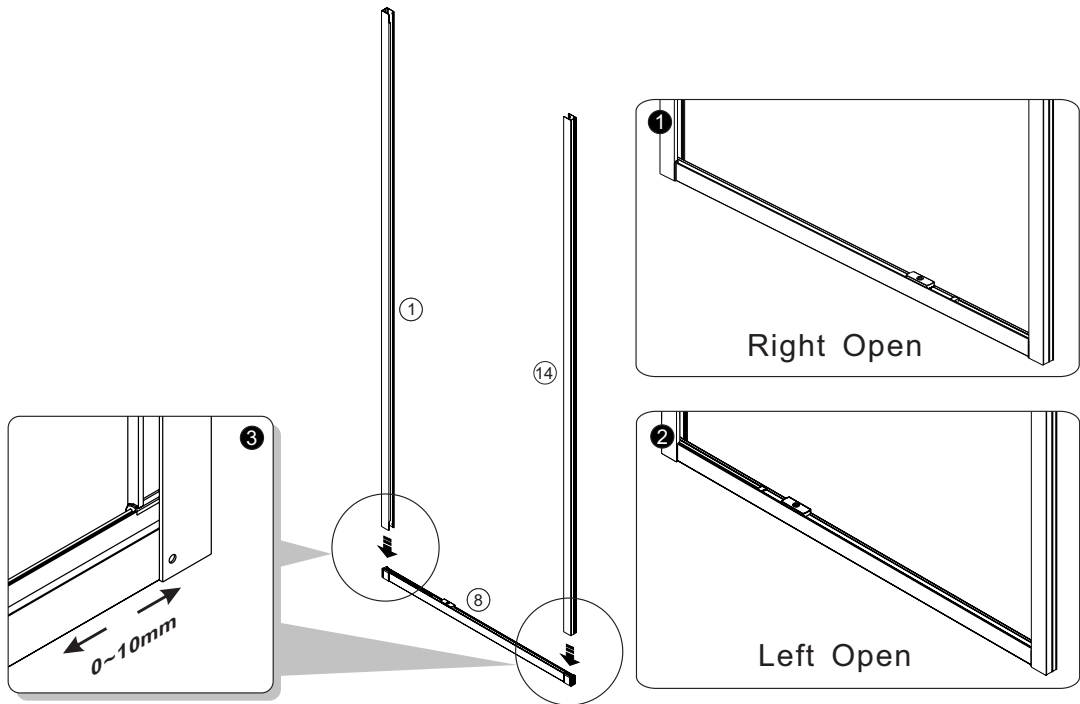
Reversible

SP5
 SP3

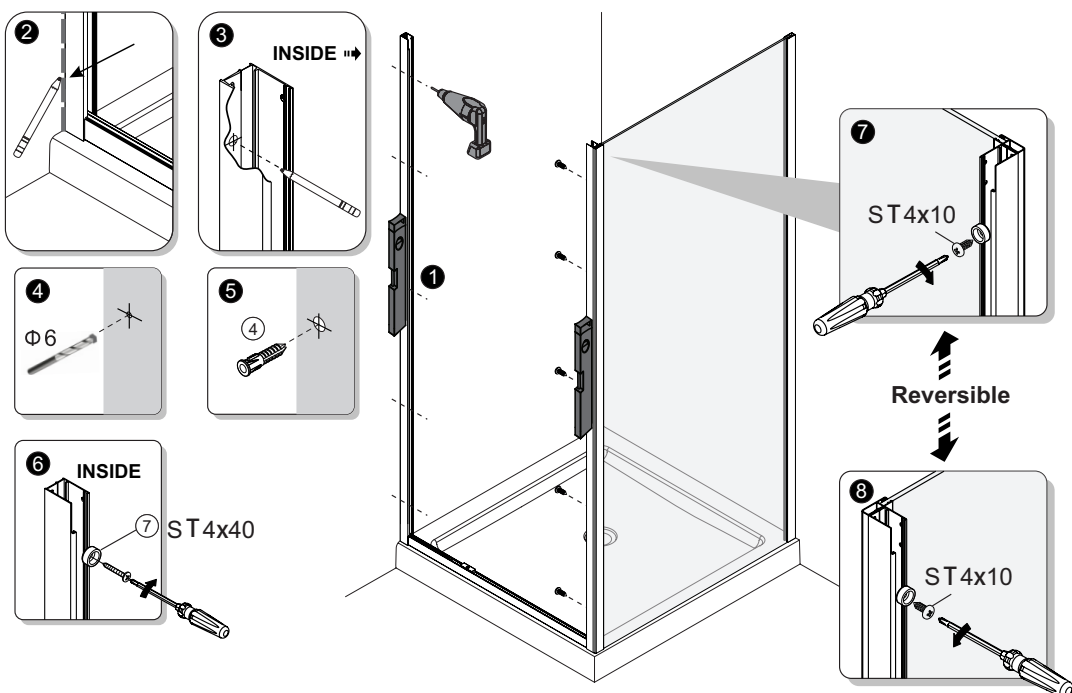


BASE SHOWER SCREENS

3



4

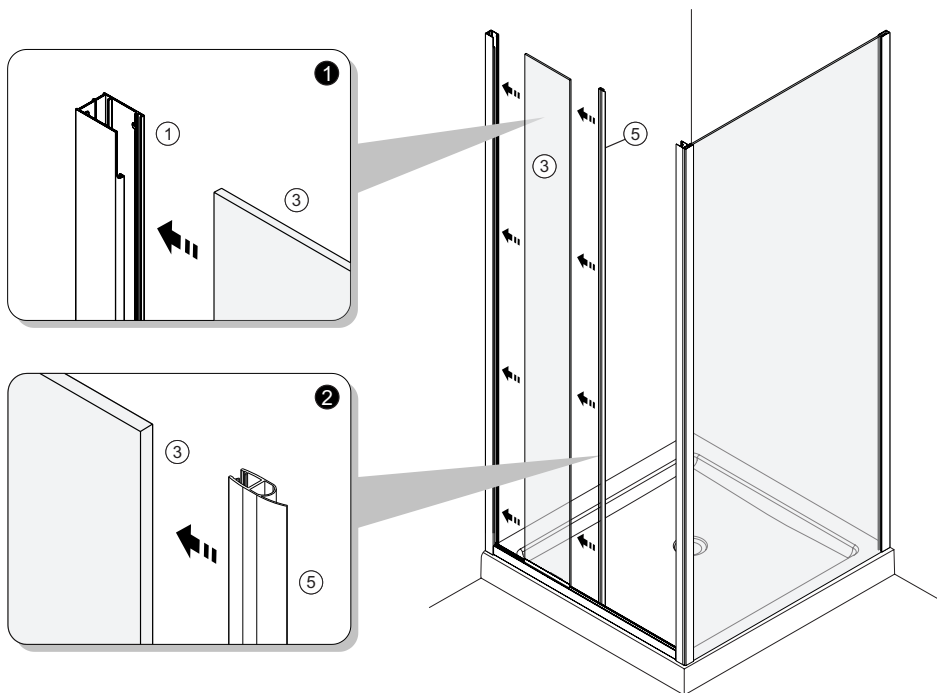




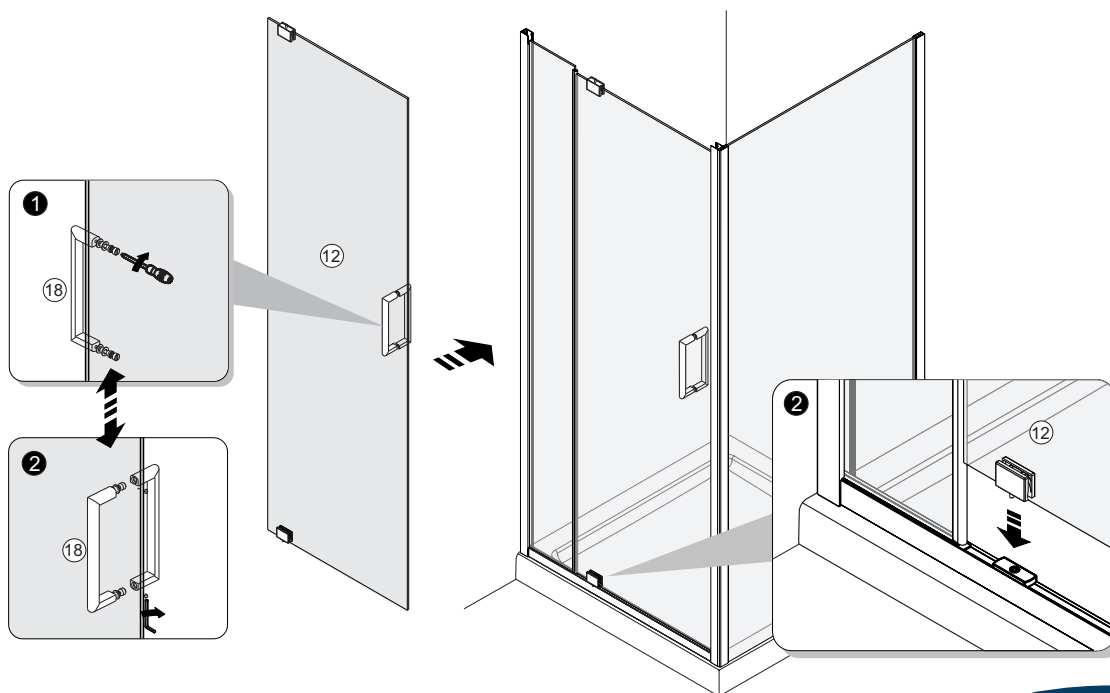
BASE SHOWER SCREENS

INSTALLATION INSTRUCTIONS - SHOWER SCREEN

5



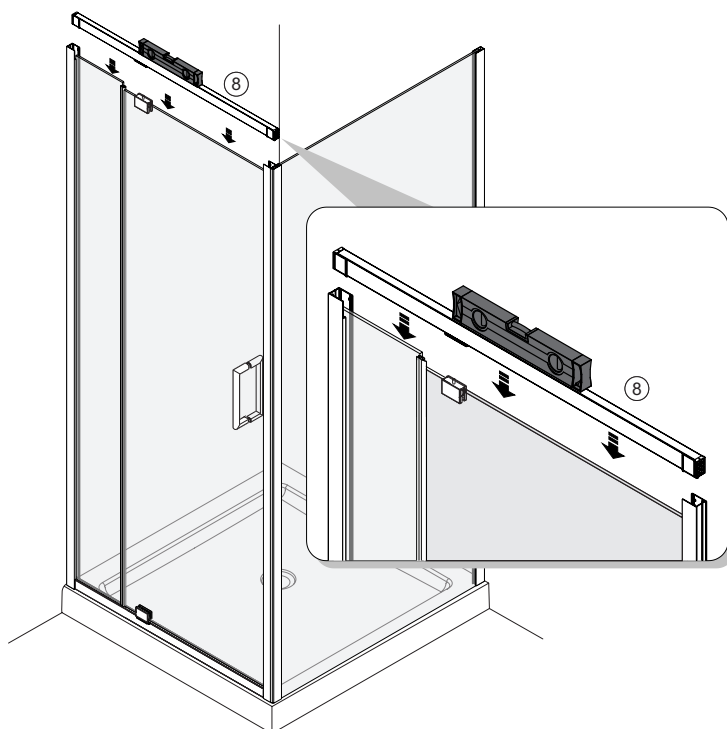
6



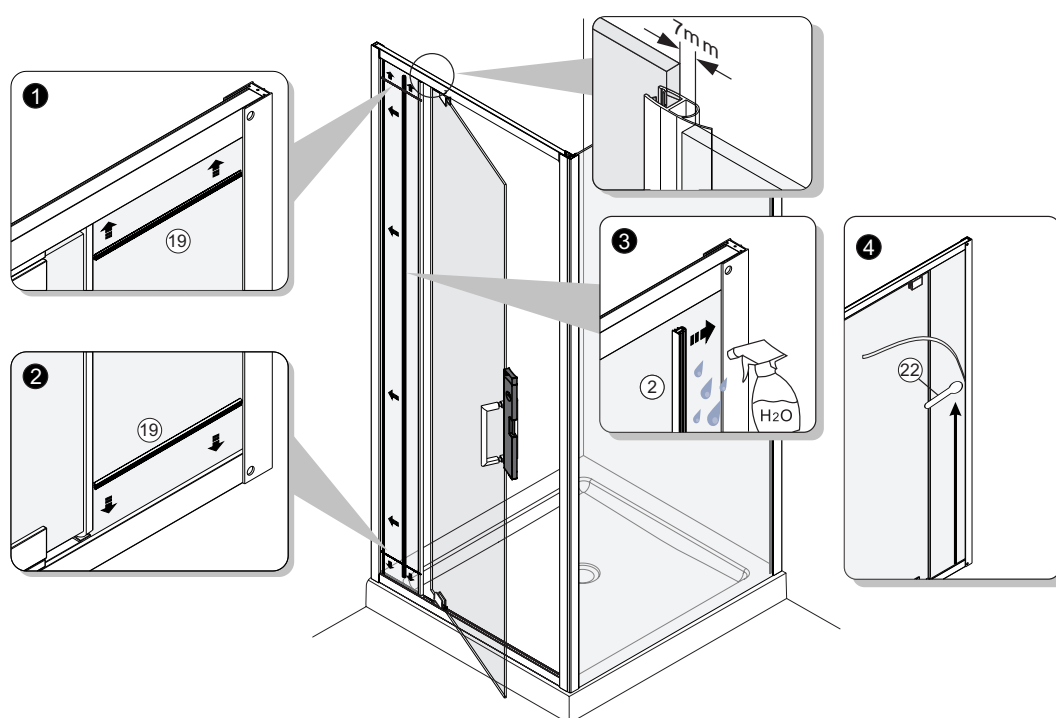
base™

BASE SHOWER SCREENS

7



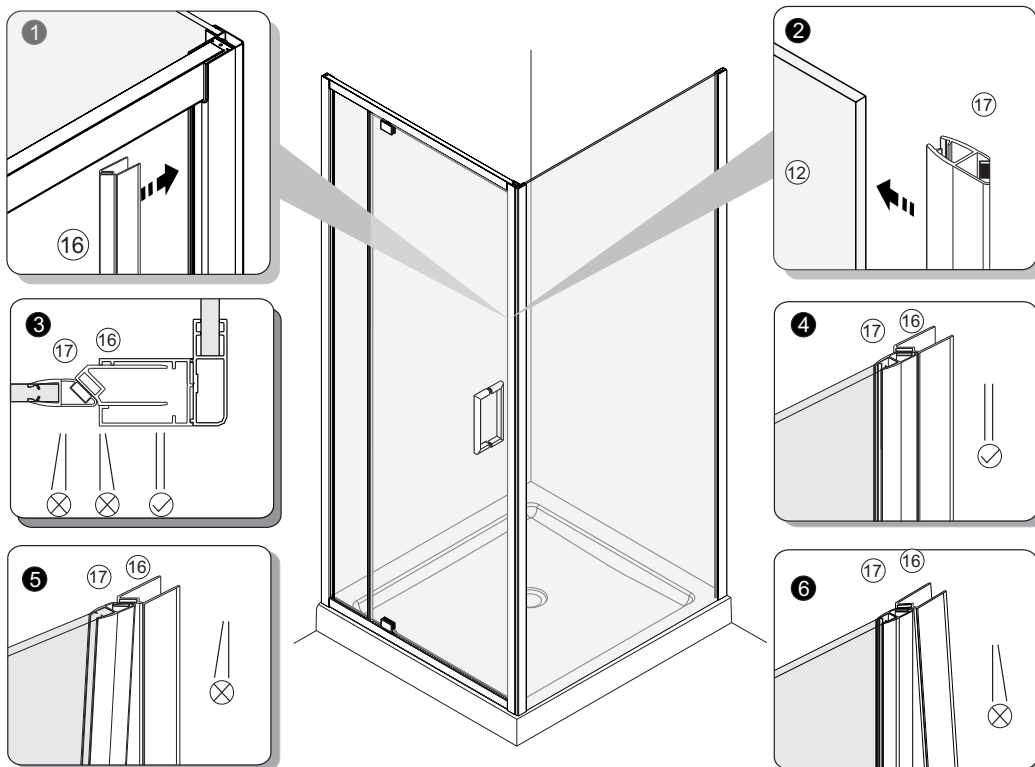
8



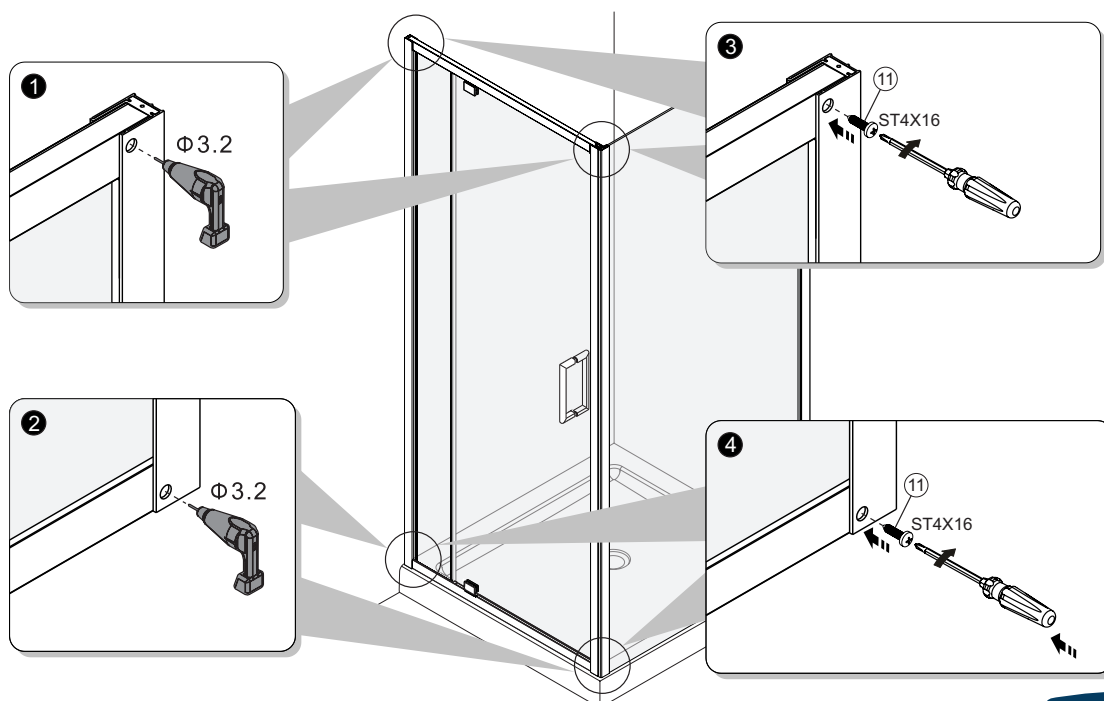
base™

BASE SHOWER SCREENS

9



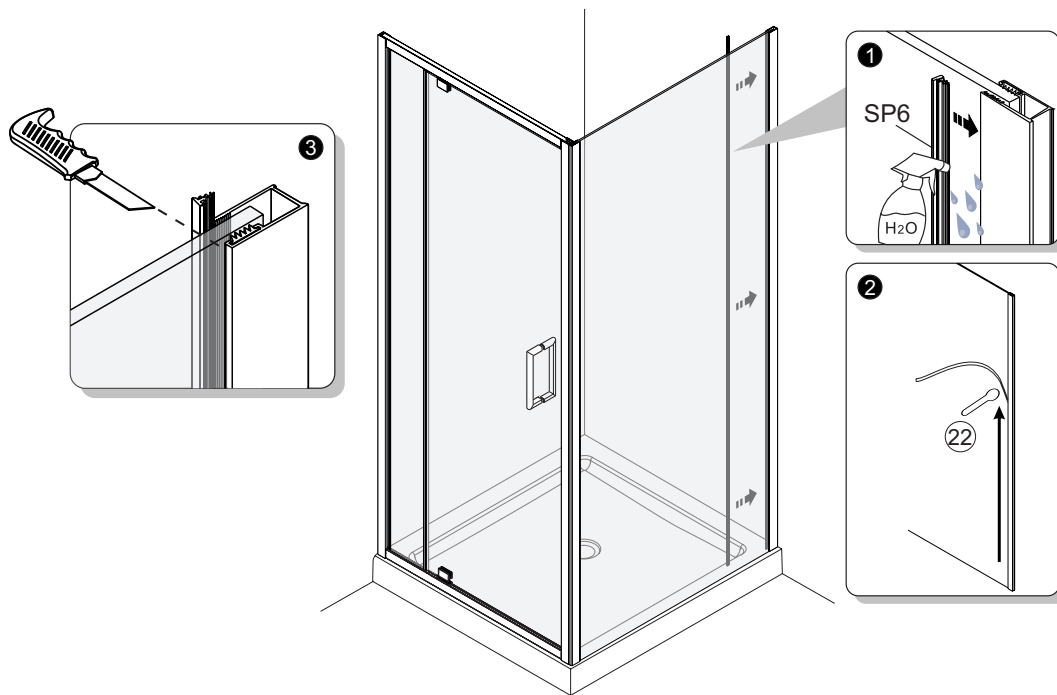
10



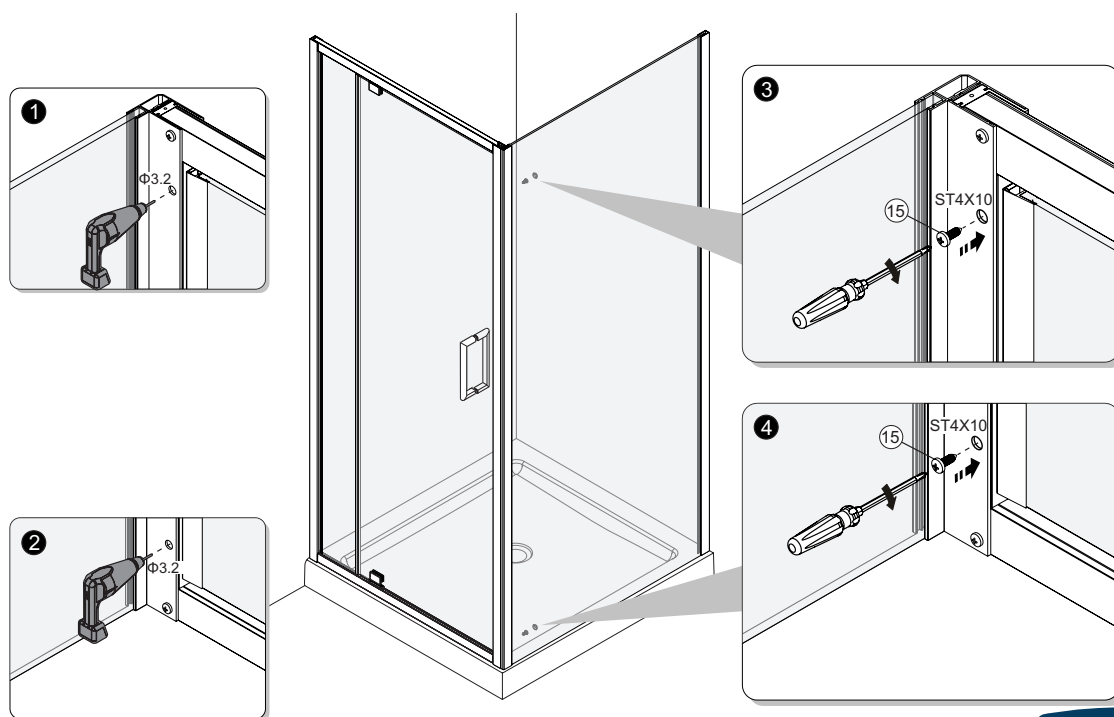
base™

BASE SHOWER SCREENS

11



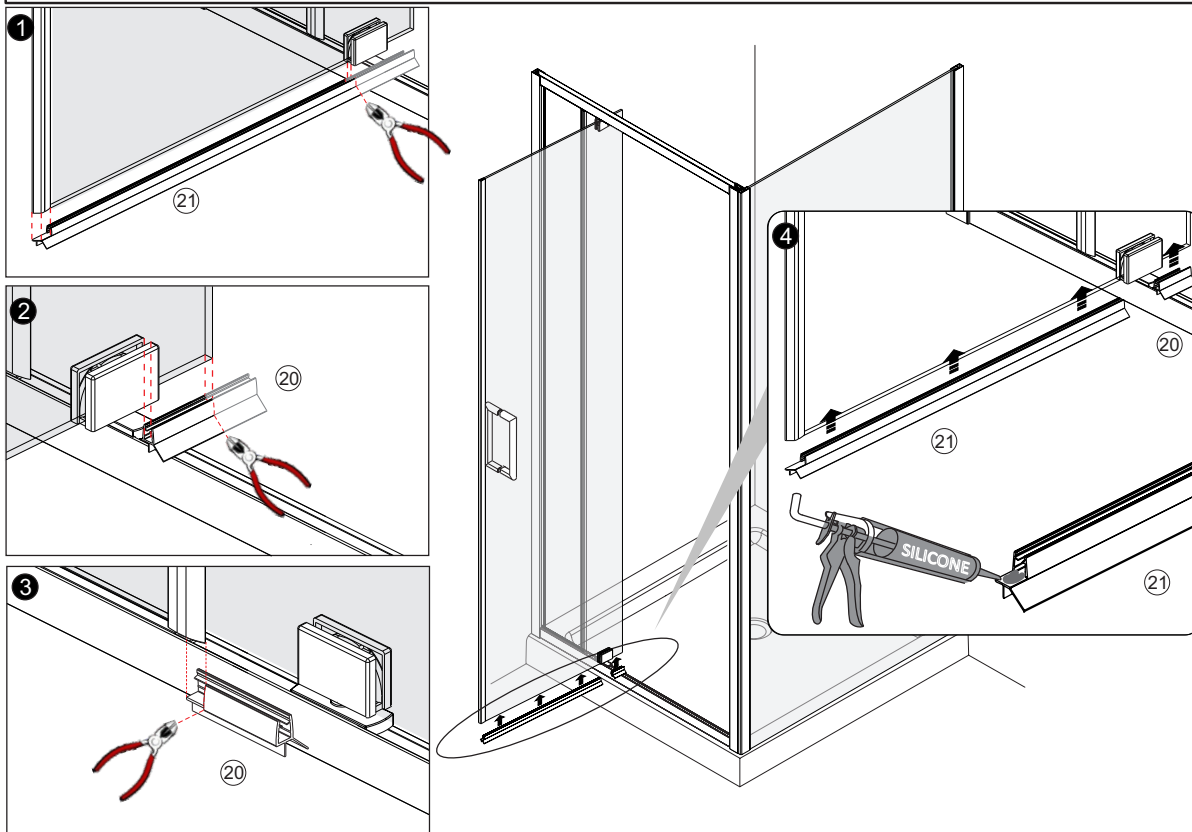
12



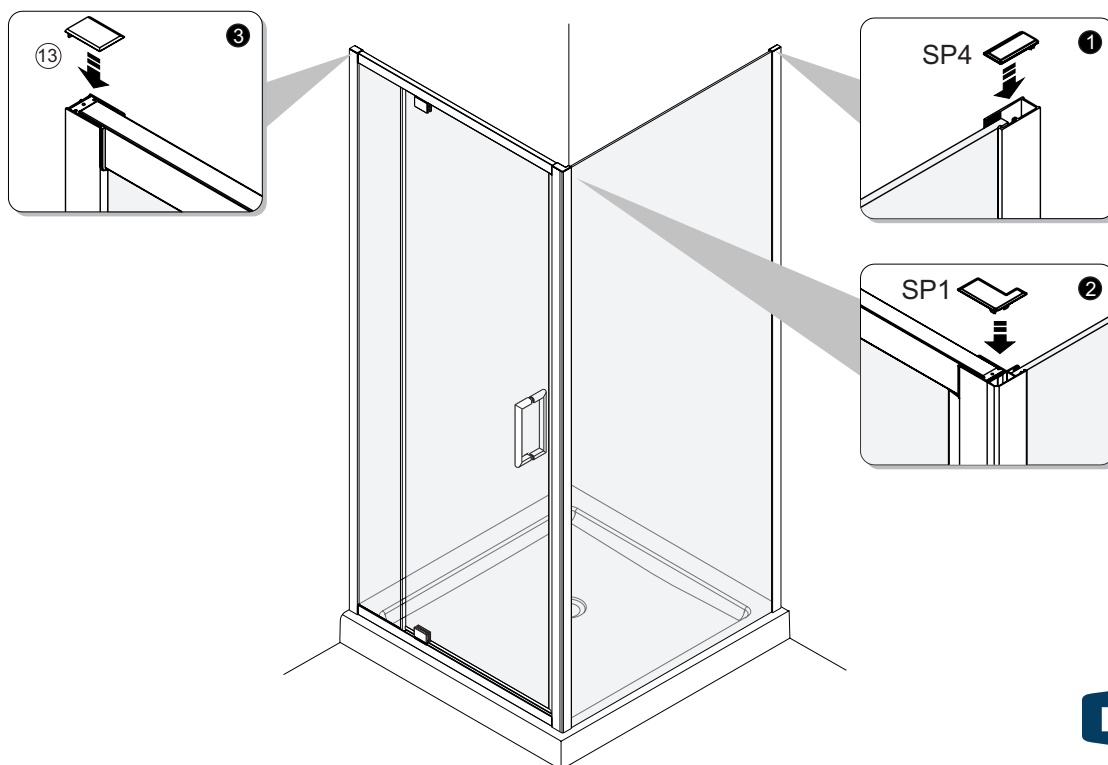
base™

BASE SHOWER SCREENS

13



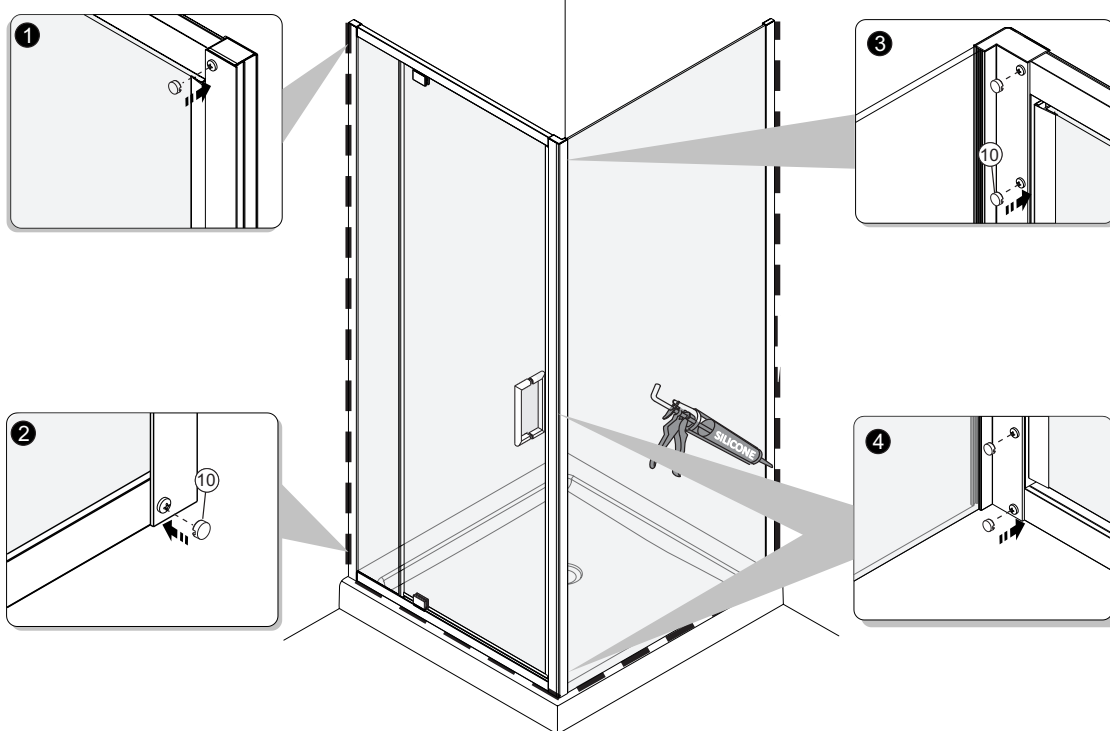
14



base™

BASE SHOWER SCREENS

15



16

