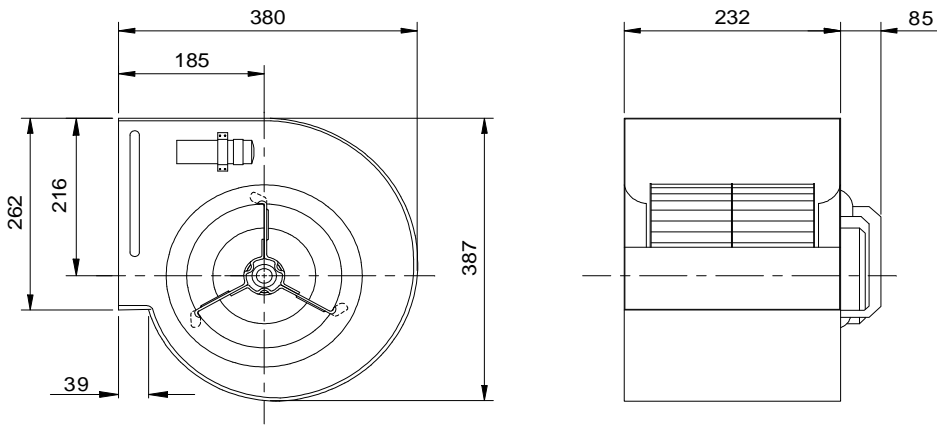
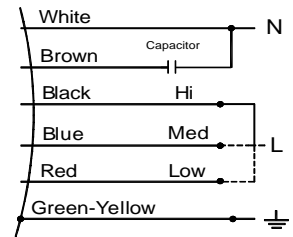


KDD 9/7 350W 4P-1 3SY

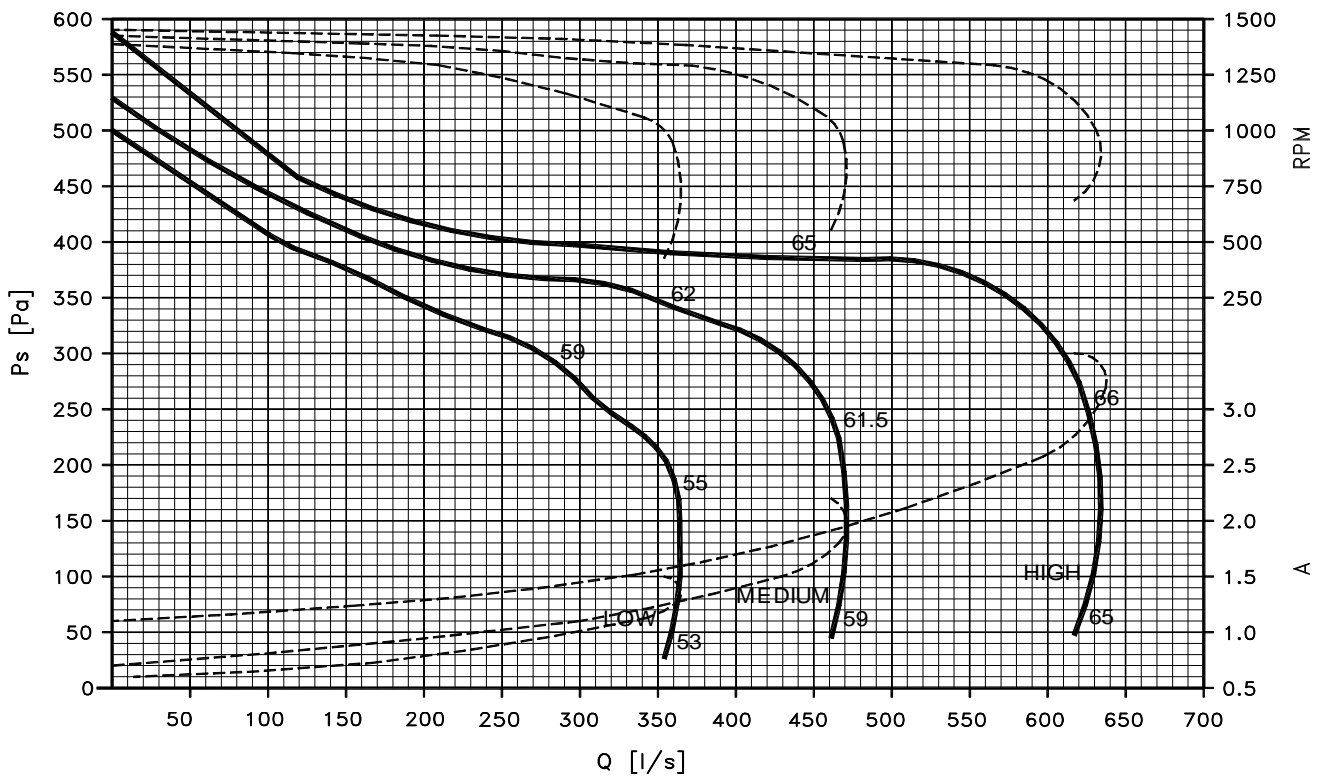


VOLT	220 - 240	Ph	1	SL. KD09007.3		
WATT	350	Hz	50	Part no. CE-AD0F723.01		
RPM	1330/1150/1050	Cl.	F	uF/V	12.5/450	
POLE	4	Temp.	min - 20°C	N. Amp	2.4	
IP	21		max +40°C	M. Amp	3.6	Weight

Wiring diagram



All Dimension in mm



* Sound Lp(A) at 1 m.