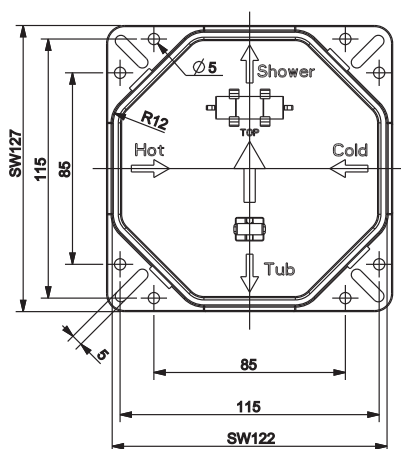
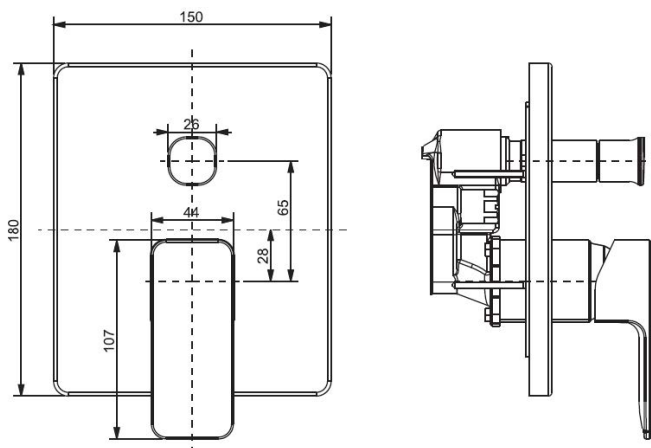
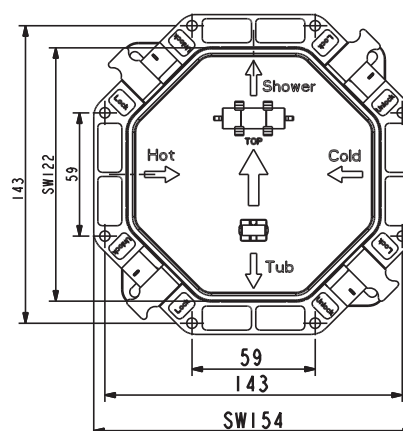
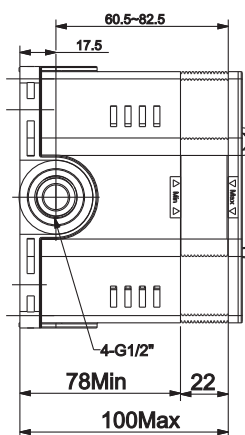


American Standard Cygnet Shower Mixer With Diverter

| SPECIFICATIONS | |
|---|------------------------------|
| Recommended Use | Domestic, Hotel & Commercial |
| Colour | Chrome |
| Recommended Pressure Range | 150 - 500kPa |
| Max Continuous Working Pressure | 500kPa |
| Max Continuous Working Temperature | 50°C |
| Suitable for Storage Tank Hot Water | Yes |
| Suitable for Continuous Flow Hot Water | Yes |
| Suitable for Gravity Feed Hot Water | No |
| Hot and Cold water inlet pressure should be equal | |
| WARRANTY | |
| Warranty - Domestic Use | 10 Years |
| Spare Parts & Labour | 12 Months |
| Please refer to Warranty Page for full Terms and Conditions | |



solid wall installation



hollow wall installation

Dimensions are nominal measurements only.

Disclaimer: Products in this specification manual must by regulation be installed by licensed and registered trade people. The manufacturer/distributor reserves the right to vary specifications or delete models from their range without prior notification. Dimensions are nominal measurements only. Dimensions and set-outs listed are correct at time of publication however the manufacturer/distributor takes no responsibility for printing errors.

Published 24/11/2020

To see the complete American Standard range go to www.reece.com.au/bathrooms

