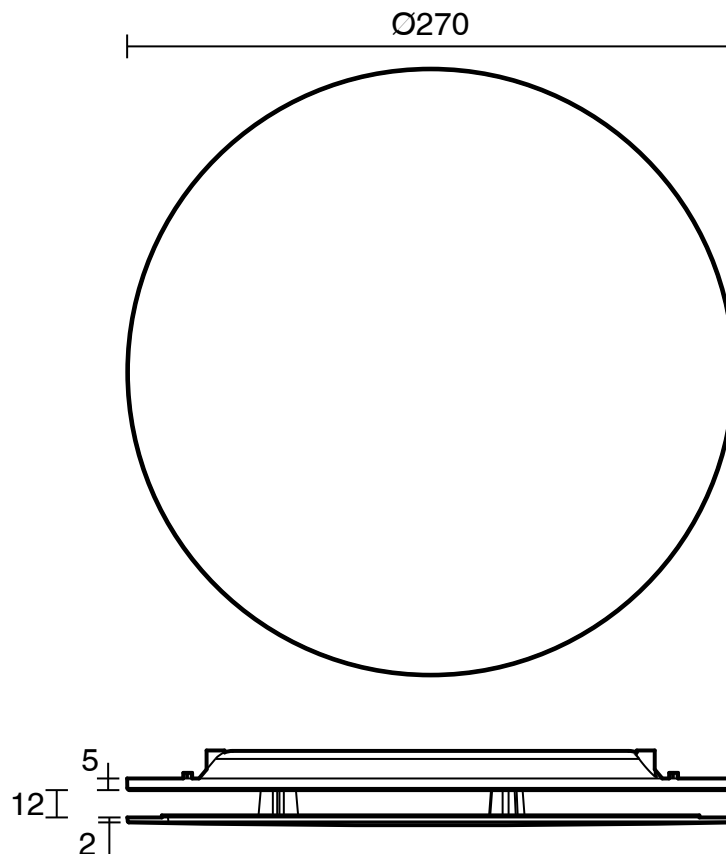


# KADO

## Kado Lux HiFlow Fascia Only Round

2020362

SPECIFICATIONS	
Recommended Use	Domestic;Commercial;Hotel
Material	ABS
Colour	Matte White
Weight (kg)	0.8
Electrical Connection Type	Not Applicable
IP Rating	IPX4
WARRANTY	
Warranty - Domestic Use (Years)	7
Spare Parts & Labour (Years)	2
<i>Please refer to Warranty Page for full Terms and Conditions</i>	



Dimensions are nominal measurements only.

**CLEANING RECOMMENDATIONS:**

We recommend the use of soapy water or approved cleaners. This product should not be cleaned with abrasive materials. Damage caused by any improper treatment is not covered by the product warranty. Refer to Warranty Conditions

Disclaimer: Products in this specification manual must by regulation be installed by licensed and registered trade people. The manufacturer/distributor reserves the right to vary specifications or delete models from their range without prior notification. Dimensions are nominal measurements only. Dimensions and set-outs listed are correct at time of publication however the manufacturer/distributor takes no responsibility for printing errors.

Published 24/03/2025

To see the complete Kado range go to [www.reece.com.au/bathrooms](http://www.reece.com.au/bathrooms)

