

Model RBA7742-777-004



Materials & Features

Single Jumbo toilet roll holder in a matte black finish Steel. Equipped with a lock and features a slot to reveal toilet roll supply inside cabinet. Completed with rounded serration.

Technical Detail

Mounting Plate:	0.8mm Type 304 Stainless Steel
Main Body:	Type 304 Stainless Steel
Capacity:	1 Jumbo toilet roll up to 255mm Dia
Finish:	Matte Black powder coated
Fixings:	Supplied

Available Models

RBA7742-777-004 Jumbo Toilet Roll Holder | Matte Black

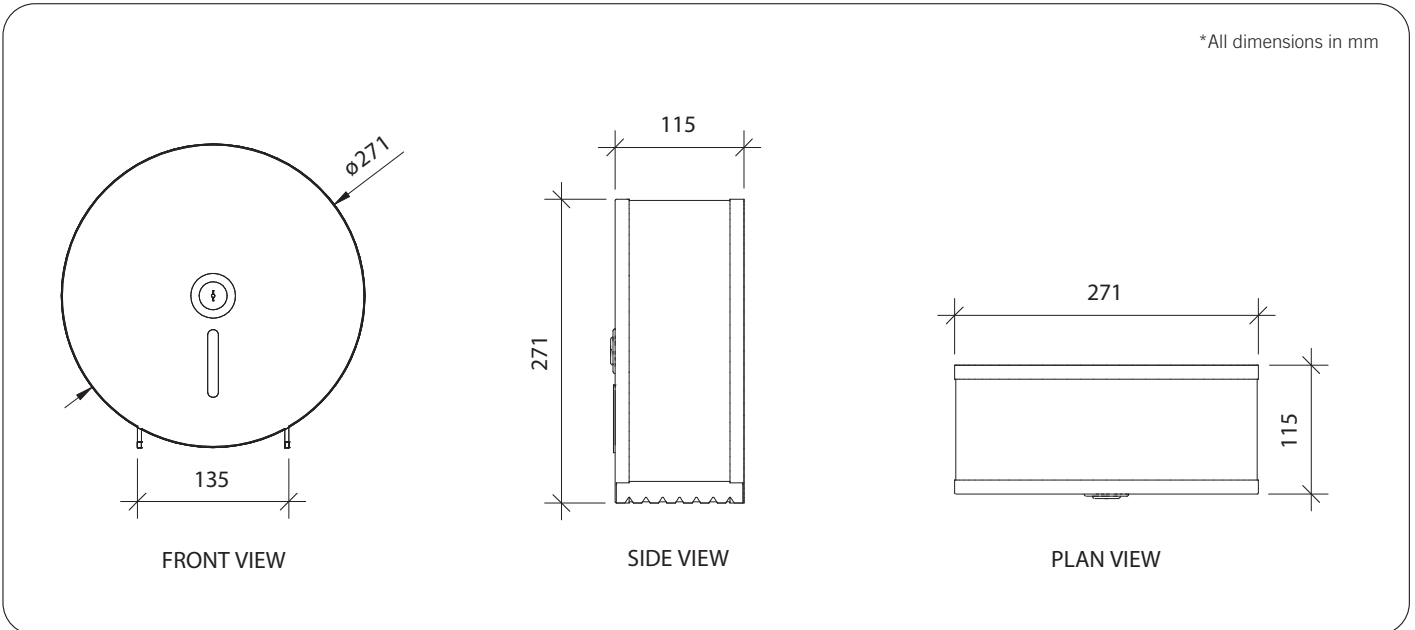
Related Products

RBA7742-777-001 Single Toilet Roll Holder | Matte Black

RBA7742-777-002 Liquid Soap Dispenser | Matte Black

RBA7742-777-003 Paper Towel Dispenser | Matte Black

Important: Installation instructions and current rough-in details should be furnished with each fixture. Do not rough in without certified dimensions. Dimensions are subject to manufacturer's tolerance of +/-10mm.



As improvements in the design and performance of RBA products are continuous, specifications may be subject to change without notice. The illustrations and descriptions herein are applicable to production as of the date of this Technical Data Sheet. Revised 06/21 © 2021 by RBA Group TD/Model RBA7742-777-004/0621