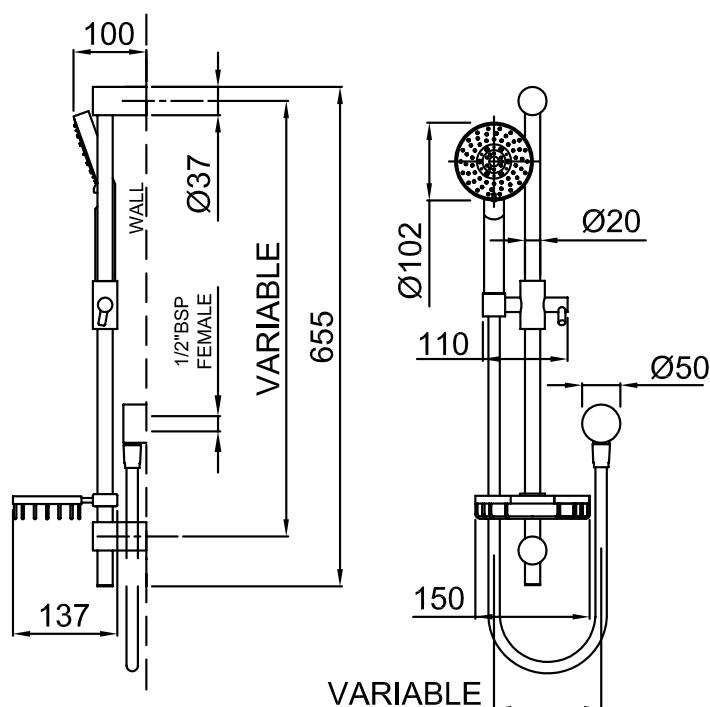


# POSH

## SOLUS MKII 1F BRASS RAIL SHOWER



### SPECIFICATIONS

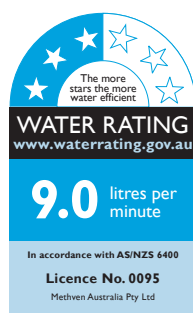
<b>Recommended use</b>	Domestic, hotel and commercial
<b>Colour availability</b>	Chrome
<b>Pressure rating</b>	Suitable for high pressure applications and has been WELS certified to the following: Minimum operating pressure 1.5 bar (150kPa) Minimum operating pressure 5 bar (500kPa)
<b>Temperature rating</b>	Maximum hot temperature 60°C (recommended 42°C) Minimum temperature 1°C
<b>WELS</b>	Stars: 3 Flow rate: 9L p/min
<b>Standards</b>	AS 3662:2005 Level 2

### CLEANING RECOMMENDATIONS

This product should not be cleaned with abrasive materials eg. steel wool/scourers. Do not use any corrosive or abrasive cleaning agents containing acids or scouring agents. Bleaches can also discolour products and therefore should not be used. Damage caused by any improper treatment is not covered by the product warranty – refer to Warranty Conditions.



To see the complete Posh range go to [www.reece.com.au/bathrooms](http://www.reece.com.au/bathrooms)



**Disclaimer:** Products in this specification manual must by regulation be installed by licensed and registered trade people. The manufacturer/distributor reserves the right to vary specifications or delete models from their range without prior notification. Dimensions and set-outs listed are correct at time of publication however the manufacturer/distributor takes no responsibility for printing errors.

Tech Page Version 2

Posh

reece

# POSH

## SOLUS MKII 1F BRASS RAIL SHOWER

### INSTALLATION INSTRUCTIONS

#### IMPORTANT

##### Please Note:

1. Some showers may not provide an effective shower when used with gravity fed heated water systems or where pressures are less than 150kPa at the outlet. Additionally showers with flow rates of less than 9L/min may not allow the following to function correctly:
  - some instantaneous water heaters
  - some tempering valves
  - some thermostatic mixing valves
2. Some shower heads only operate correctly when hot and cold water supplies are both mains pressure and may not be suitable for some instantaneous hot water services.

### INSTALLATION

The tools you will need: screw driver and drill.

1. Establish the desired rail position and height.
2. Using the hex key provided, loosen the hex screw and remove the brass plates from the rail pillars.
3. Mark the top fixing hole and drill to suit fixing anchor provided.
4. Attach the plate to the wall using anchor and tapered screw.
5. Fit the top pillar (one-sided rail hole) to the plate.
6. Check the handset slider/holder (where provided) are on the rail.
7. Locate the bottom pillar (double-sided rail hole) to the desired position (within 100mm of end of rail). Mark and drill hole position to suit installation.
8. Drill to suit fixing anchor provided and attach the plate to the wall using anchor and tapered screw.
9. Locate pillar on rail to match plate and secure with straight screw via internal hole in bottom pillar.
10. 10. Fit rail to both pillars and tighten both hex screw.

DO NOT OVER TIGHTEN.

11. Adjust soap dish position on the rail and tighten screw.