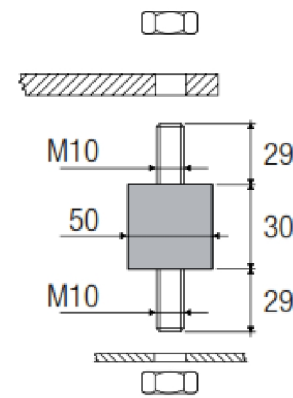
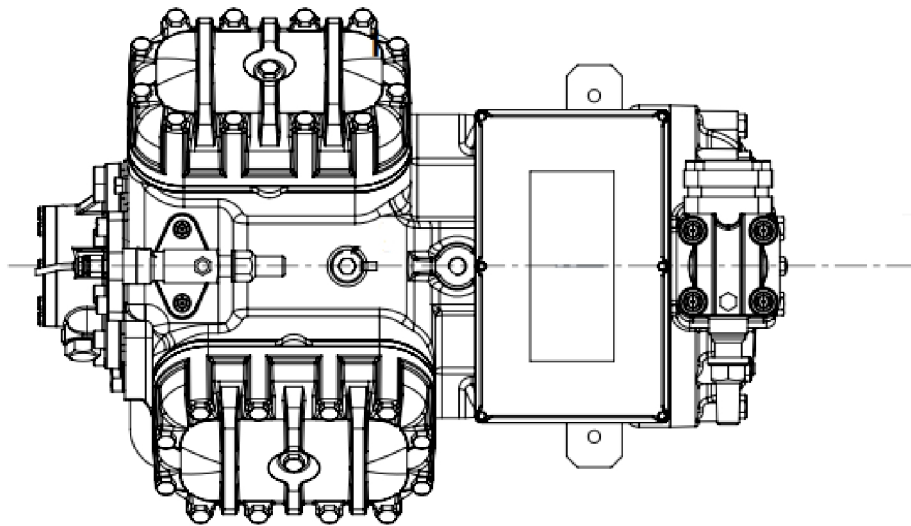
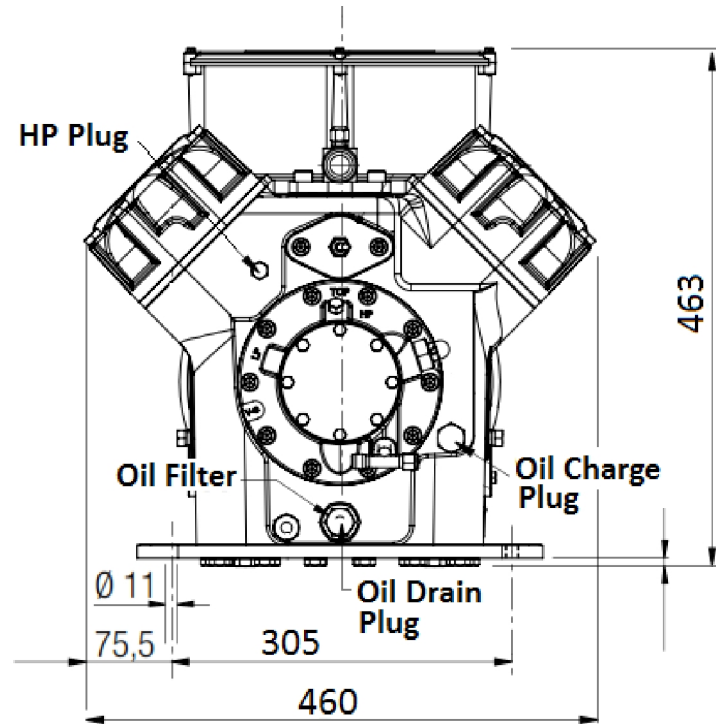
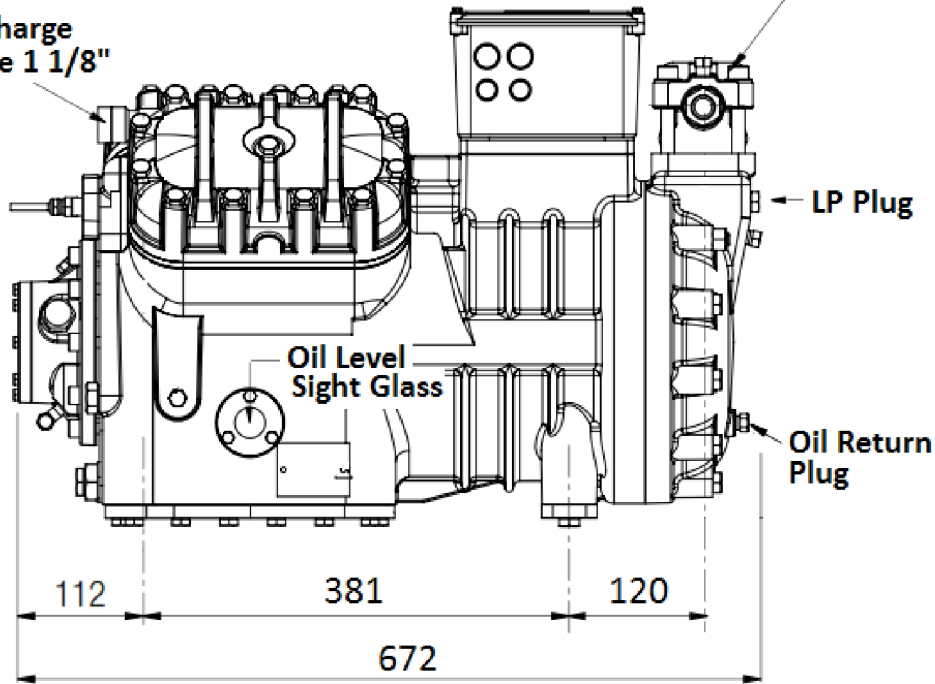


Discharge Valve 1 1/8"

Suction Valve 1 5/8"



Vibration absorber

No.	Ind	Modification	Date	Drawn	Checked	Approved

	Model	SH4623Z	Drawn	rudy
	Description	Compressor Semi Hermetic	Checked	Ijat
	Drawing No.	V20-59Y	Approved	Sham
	Date	25/04/2018	Index	-
 TECUMSEH EURO-MALAYSIA SDN BHD				