

Posh Solus MK3 Undermount Sinks

NOTE: Please inspect sink for damage prior to install.

If wall mounted tapware is to be used, consideration should be made to length of outlet and positioning of the basin on bench top.

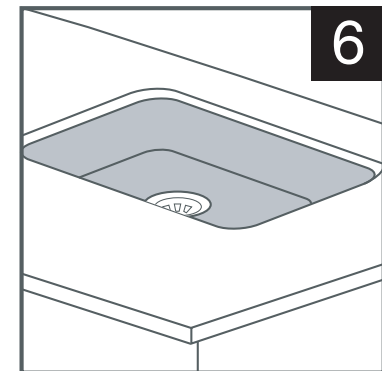
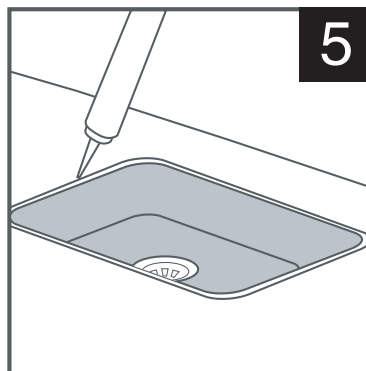
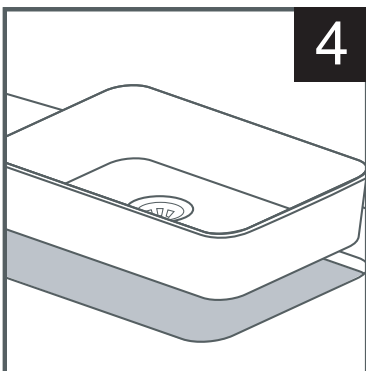
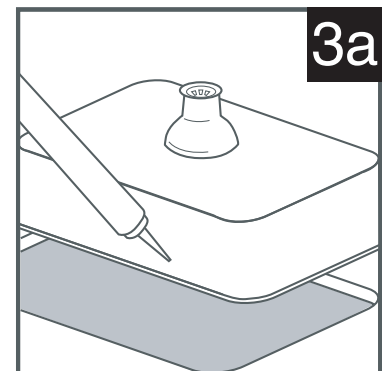
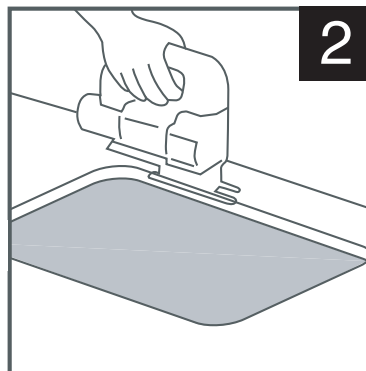
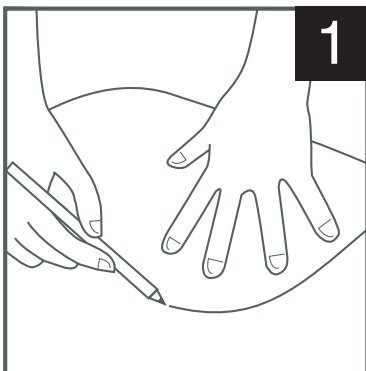
If tapware is to be bench mounted allow suitable top width for fitting tapware.

UNDERMOUNT INSTALLATION:

Stone & Solid Benchtops

Note: for undermount installations foam strips are not to be used

1. Use the template provided to trace the cut-out on both the benchtop and underlay/timber lining.
2. Cut out benchtop and the underlay/timber lining
3. **If using the sandwich technique**, silicone both the underneath rim of the undermount bowl and around the underlay/timber lining cut out.
4. **If using fixing clips**, follow the installation instructions for wooden/laminate benchtops or affix wooden blocks to the underside of the benchtop to screw fixing clips into. (source own screws that suit particular application)
5. Place the sink into position.
6. Silicone around the lip of the sink to seal between the benchtop and the sink surfaces.



Posh Solus MK3 Undermount Sinks

NOTE: Please inspect sink for damage prior to install.

If wall mounted tapware is to be used, consideration should be made to length of outlet and positioning of the basin on bench top.

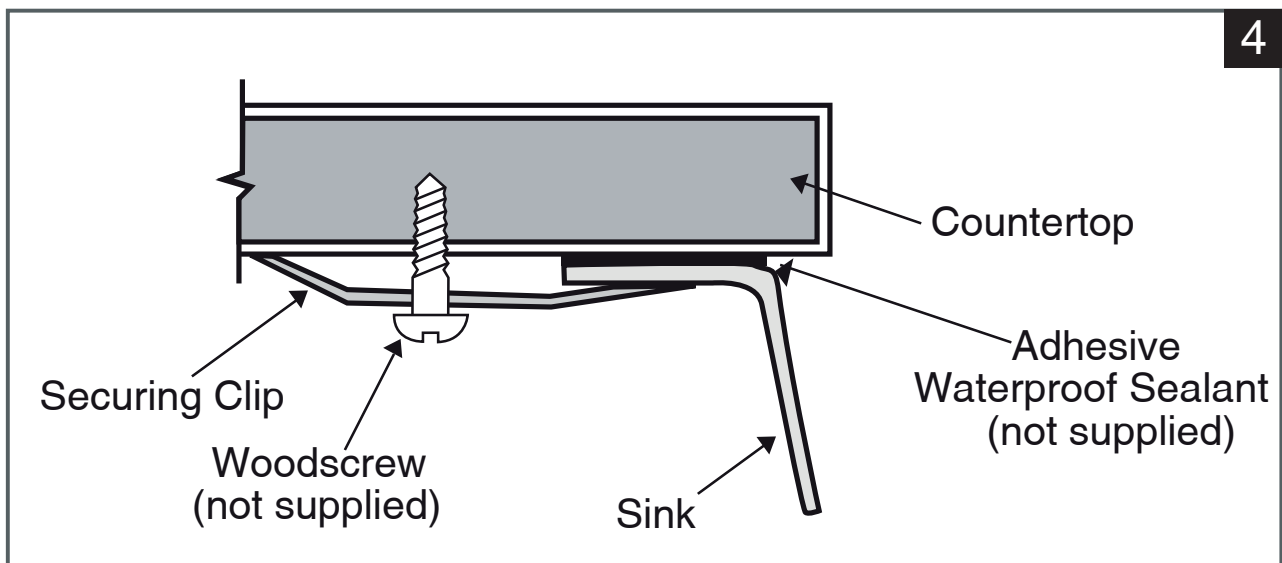
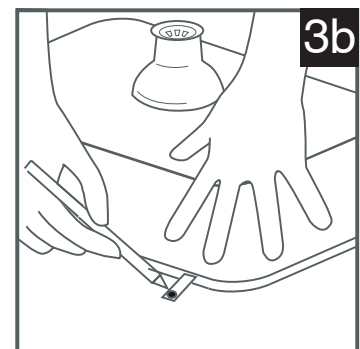
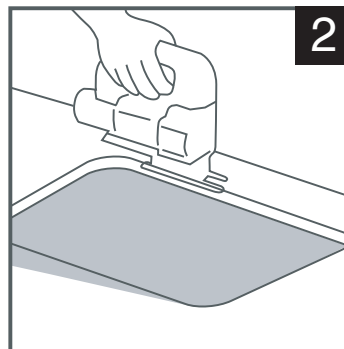
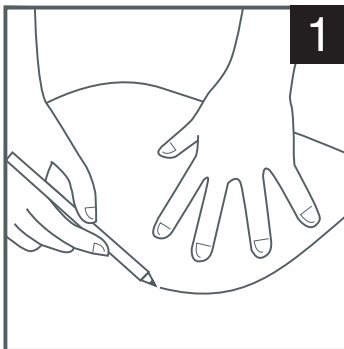
If tapware is to be bench mounted allow suitable top width for fitting tapware.

UNDERMOUNT INSTALLATION:

Wooden & Laminate Benchtops

Note: for undermount installations foam strips are not to be used

1. Use the template provided to trace the cut-out on both the benchtop and underlay/timber lining.
2. Cut out benchtop and the underlay
3. Position the sink underneath the benchtop and mark out the position for the fixing clips
4. Apply sealant/adhesive to the rim of the sink and position underneath the benchtop. Install all securing clips (source own screws that suit particular application and remove excess sealant).



CLEANING RECOMMENDATIONS

We recommend the use of soapy water or approved cleaners.

This product should not be cleaned with abrasive materials.

Damage caused by any improper treatment is not covered by the product warranty - refer to Warranty Conditions

Please ensure a copy of the installation instructions is left with the end user for future reference