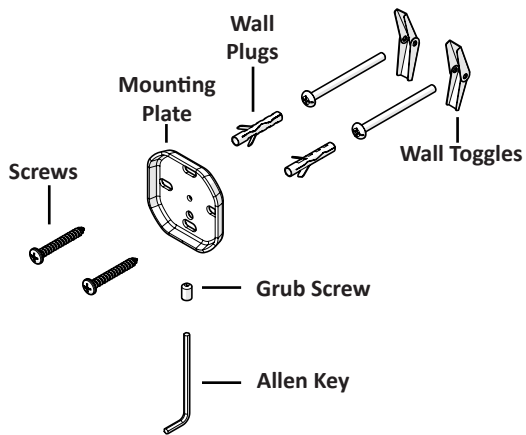
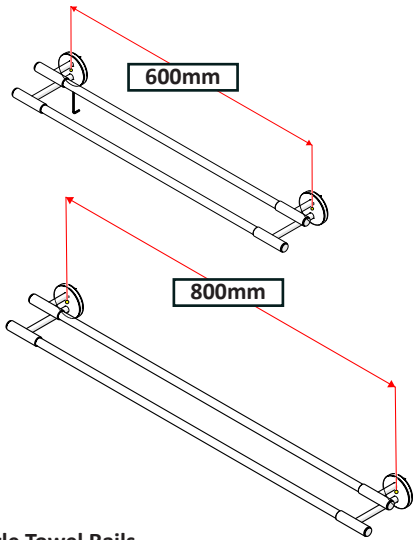


## D`c`DXih`<[ `k8ZZ\j j fi`v`j

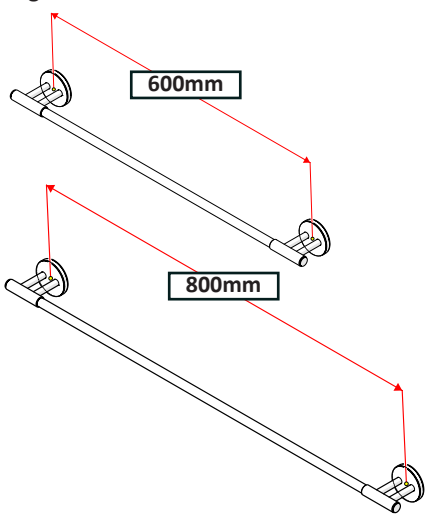


### DOUBLE FLANGE

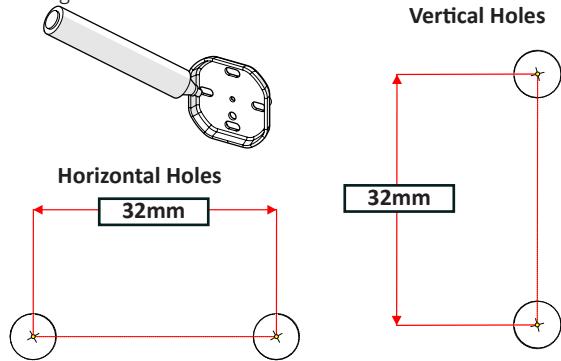
#### Double Towel Rails



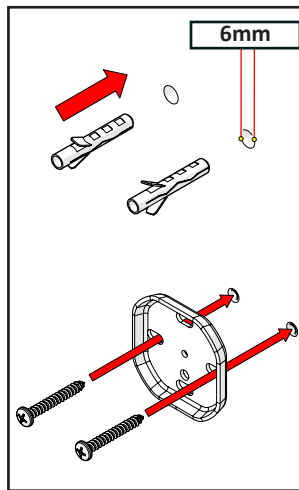
#### Single Towel Rails



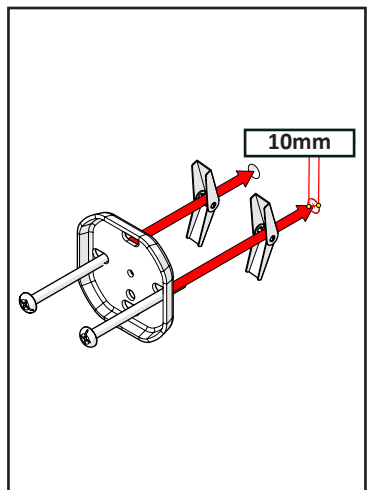
**1** Mark Out hole locations. If mounting a Double Flange Accessory ensure correct Pitch. Vertical or Horizontal Mounting holes can be used.



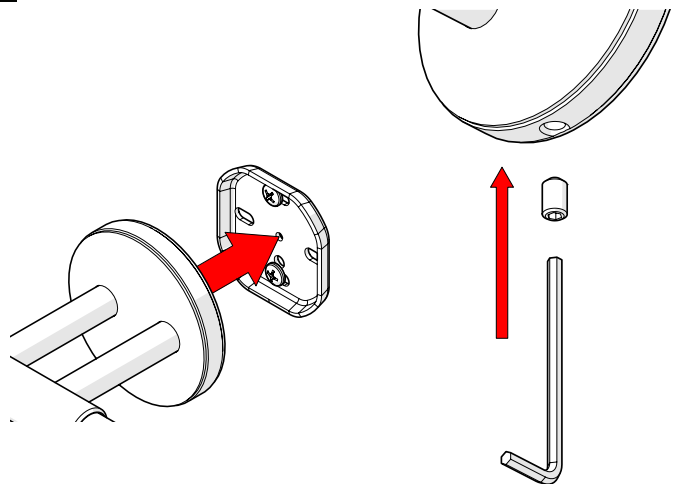
### 2 BRICK



### PLASTER



### 3



### Care Details

We recommend the use of soapy water or approved cleaners. This product should not be cleaned with abrasive materials. Damage caused by any improper treatment is not covered by the product warranty. Refer to Warranty Conditions

This product must be installed by a licensed professional and in accordance with the Plumbing Code of Australia, AS/NZS 3500, and local regulations.

Any flow controller incorporated in the outlet to be tightened to prevent removal by hand. As Per AS3718

**Plumbers, please ensure a copy of the installation instruction is left with the end user for future reference.**