



enda Shower Rail Handset Slider | Matte Black

Model RBA4110-999-014



Materials & Features

Satin plated ABS finish. Suitable for 32mm diameter shower rail. Easily adjustable and suits most shower handsets.

Technical Detail

Finishes: Matte Black ABS

Available Models

RBA4110-999-011

enda Shower Rail Handset Slider, 32mm | Chrome

RBA4110-999-013

enda Shower Rail Handset Slider, 32mm | Satin

RBA4110-999-014

enda Shower Rail Handset Slider, 32mm | Matte Black

Related Products

RBA4110-999-008

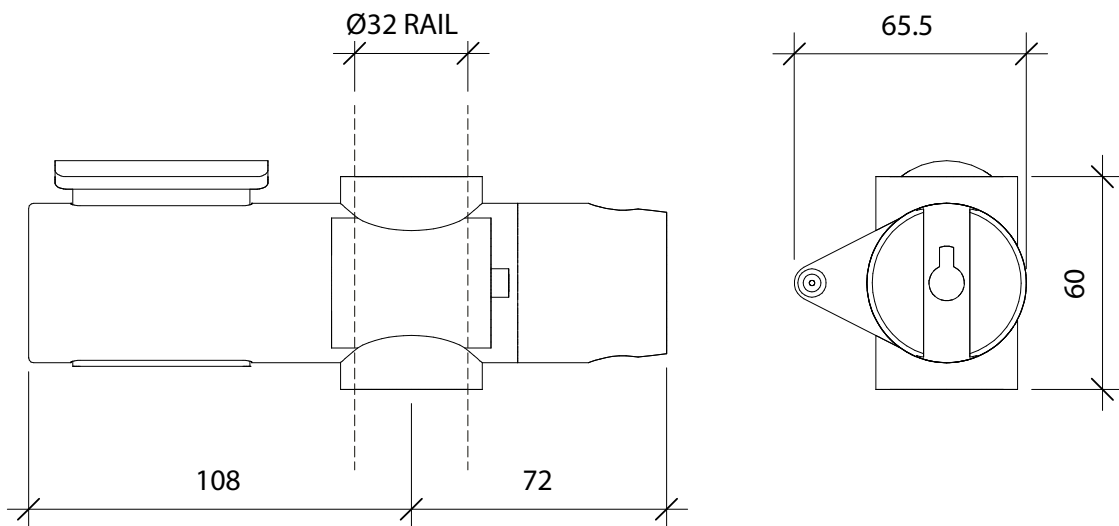
Shower, Handset & Hose Kit | Chrome

Installation

Unit is designed to be retrofitted onto 32mm grab rails.

Important: Installation instructions and current rough-in details should be furnished with each fixture. Do not rough in without certified dimensions. Dimensions are subject to manufacturer's tolerance of +/-10mm.

* All dimensions in mm



As improvements in the design and performance of RBA products are continuous, specifications may be subject to change without notice. The illustrations and descriptions herein are applicable to production as of the date of this Technical Data Sheet. Revised 11/19 © 2019 by RBA Group TD/Model RBA4110-999-014/1119

SYDNEY | MELBOURNE | BRISBANE | PERTH | AUCKLAND

Australia 1300 788 778 www.rba.com.au | New Zealand 0800 722 111 www.rbagroup.co.nz