



LINEA WASHPLANE 1600 & 2100 DOUBLE



Beautiful and architecturally significant, the Omvivo Washplane® is the ultimate in exclusive bathroom luxury. The subtle square form of the Linea Washplane® creates a unique contemporary piece.

SPECIFICATIONS

Recommended Use	Domestic, Hotel and Commercial
Material	Solid Surface
Colour	White or Dawn
Finish	Matt
Tap Hole Availability	No
Hardware	Supplied with main frame, drain trays and brackets
Fixing	Installed into a cavity wall by licensed trades person Please refer to installation instructions below
Options	Also available in 800mm Single, 1200mm Single and 2250mm Triple



To see the complete OMVIVO range go to www.reece.com.au/bathrooms

CLEANING RECOMMENDATIONS

We recommend the use of soapy water or approved cleaners. This product should not be cleaned with abrasive materials. Damage caused by any improper treatment is not covered by the product warranty. Refer to Warranty Conditions. Please refer to detailed cleaning instructions on page 8.

Disclaimer: Products in this specification manual must by regulation be installed by licensed and registered trade people. The manufacturer/distributor reserves the right to vary specifications or delete models from their range without prior notification. Dimensions are nominal measurements only. Dimensions and set-outs listed are correct at time of publication however the manufacturer/distributor takes no responsibility for printing errors.

Tech Page Version 1



LINEA WASHPLANE 1600 & 2100 DOUBLE

AVAILABLE FINISH OPTIONS

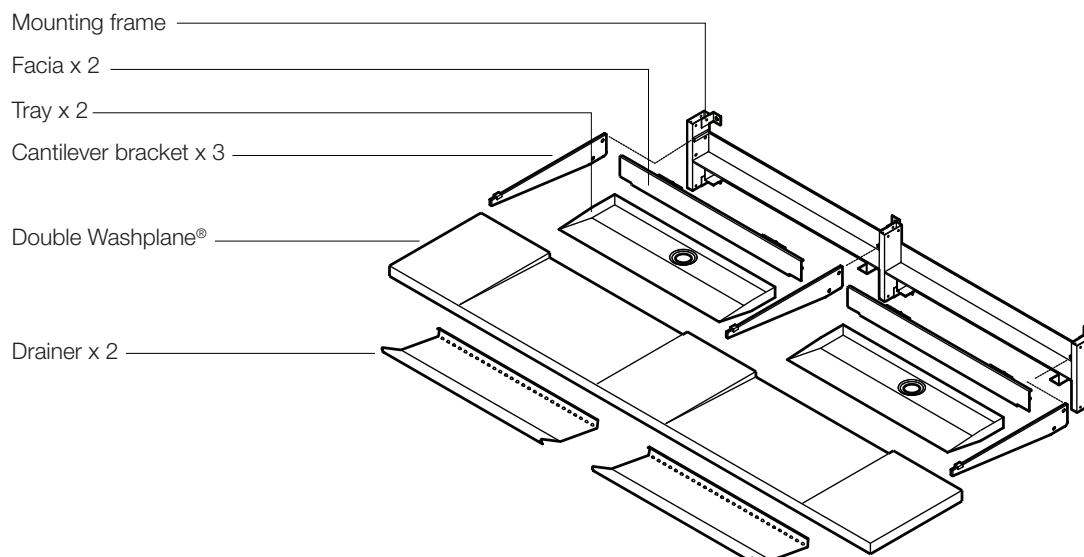


SOLID SURFACE DAWN



SOLID SURFACE WHITE

ASSEMBLY LIST

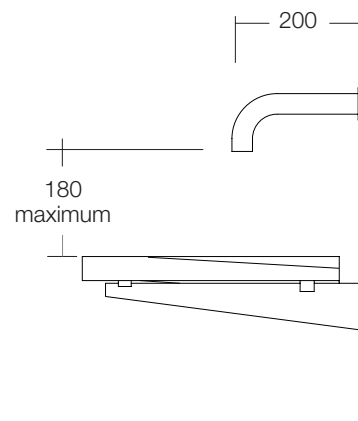
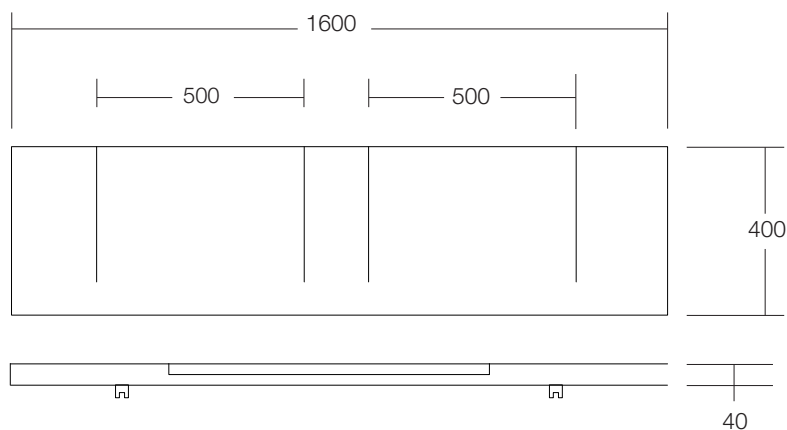




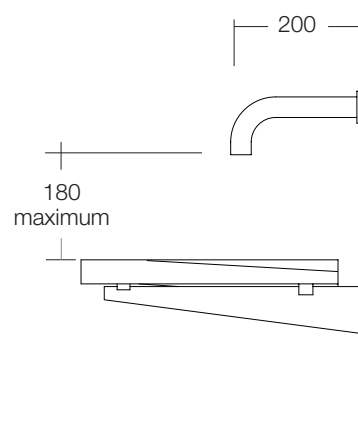
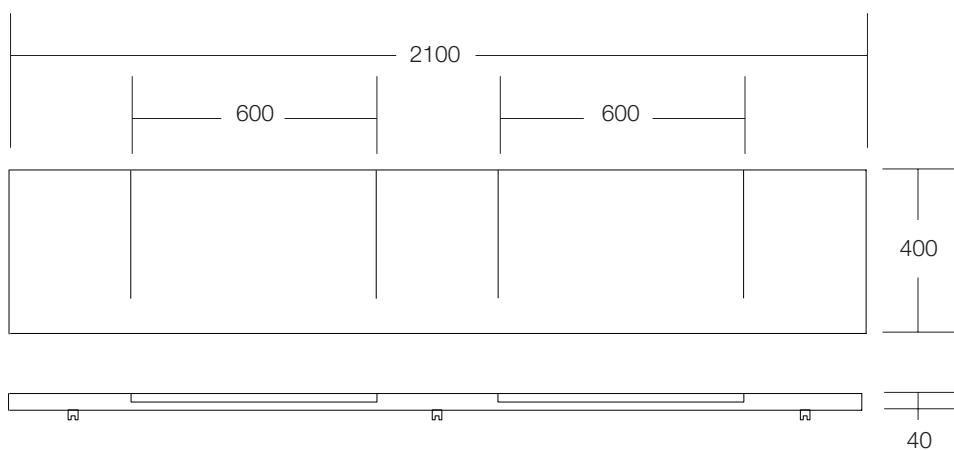
LINEA WASHPLANE 1600 & 2100 DOUBLE

LINE DRAWINGS

Double 1600



Double 2100



Plumbers, please ensure a copy of the installation Instructions is left with the end user for future reference

LINEA WASHPLANE 1600 & 2100 DOUBLE

INSTALLATION INSTRUCTIONS

NO claims for damages / defects will be recognised after installation.

Prior to installation it is important to unpack and inspect your products to ensure no damage has occurred in transit and that the product IS CORRECT.

If damage has occurred, or a visible defect exists, do not proceed with installation and contact supplier IMMEDIATELY.

Read all instructions beforehand. Pay particular attention to locations of plumbing, brackets and measuring up for these.

Step 1. A stud wall will be required as outlined below. See figure 1.

Step 2. Assemble cantilever brackets using fixings supplied. See figure 2.

Figure 1

DOUBLE 1600 (500mm SLUMPS)

DOUBLE 2100 (600mm SLUMPS)

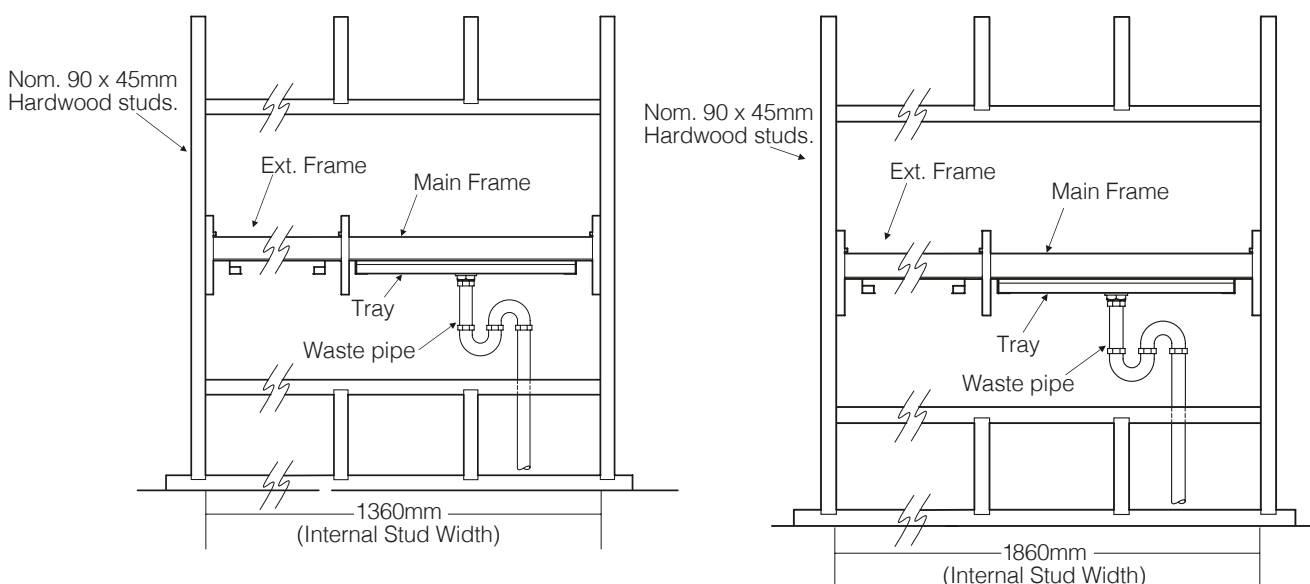
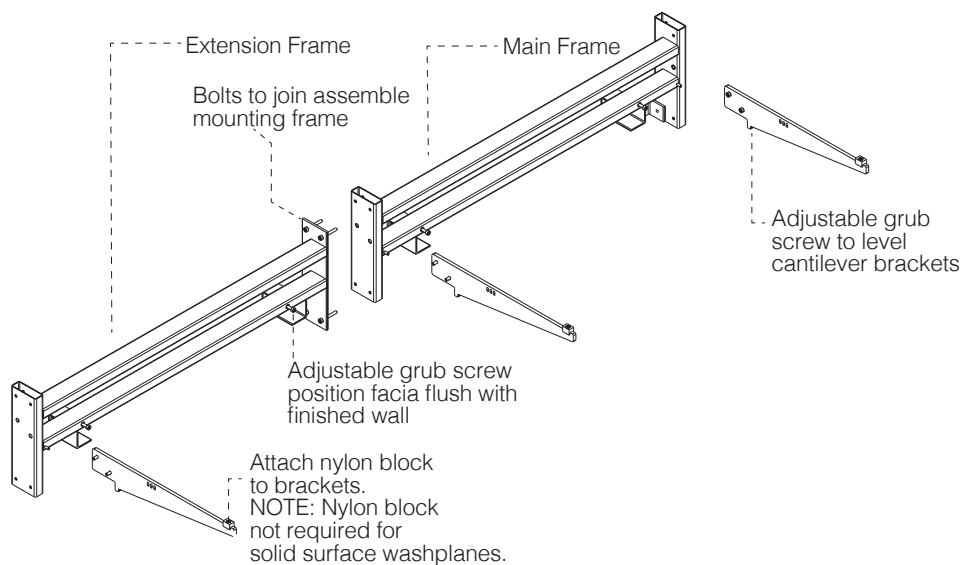


Figure 2



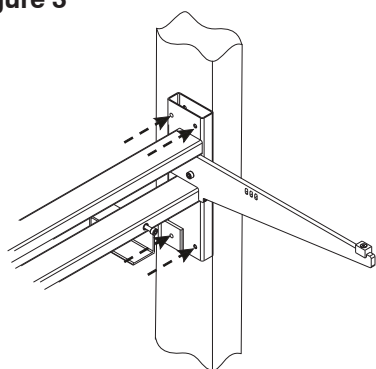
Plumbers, please ensure a copy of the installation Instructions is left with the end user for future reference

LINEA WASHPLANE 1600 & 2100 DOUBLE

Step 3. a) A 90mm wall cavity will need to be created to enclose plumbing and mounting frame.
See figure 1 for pre-installation set out.

b) Fix mounting frame to timber studs with 12 gauge x 2 1/2" coarse thread screws, or similar.
Ensure cantilever brackets are plumb and level. See figure 3

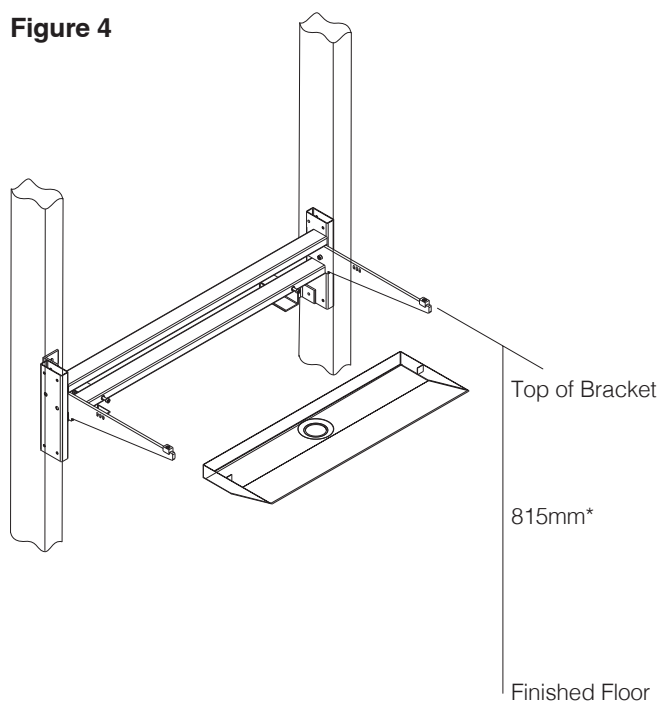
Figure 3



Step 4. a) Connect plug and waste to 'P' or 'S' trap. Tray should be secure.

b) All plumbing, including water supply and stop taps, should be located under the tray for ease of maintenance and adjustment. See figure 4.

Figure 4



*For disabled toilets, this bracket top dimension is to be determined by subtracting selected Washplane thickness.
See Figure 12 from required finished height.
Finished height range is 770-800mm as per AS 1428.01-2001

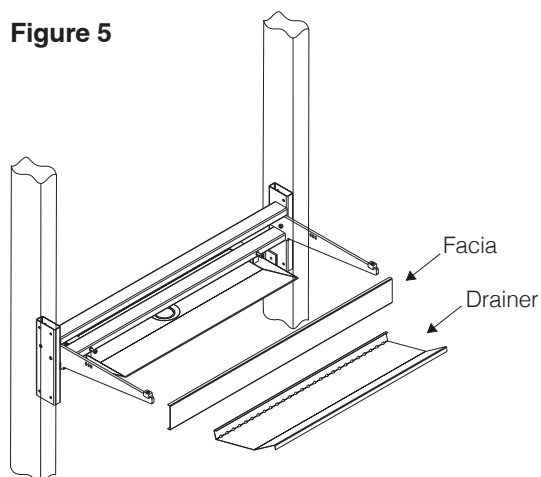
Plumbers, please ensure a copy of the installation Instructions is left with the end user for future reference

LINEA WASHPLANE 1600 & 2100 DOUBLE

Step 5. a) Slide drainer into tray. The locating tabs are at the back of the tray which the drainer rests against.

b) The drainer is designed to be removed for cleaning purposes. See figure 5.

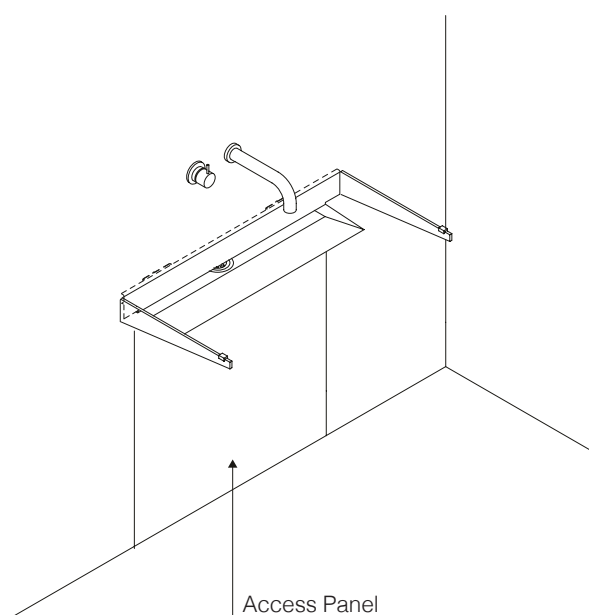
Figure 5



Step 6. a) Close and finish wall.

b) It is recommended to consider access to the plumbing behind your finished wall. This can be achieved by incorporating a removable panel between the bracket arms, or under the tray. Depending on your wall finish, consider utilising split lines between tiles to conceal the panel. See figure 6.

Figure 6



LINEA WASHPLANE 1600 & 2100 DOUBLE

Step 7. a) Adjust screw head to finish in line with the finish wall. See figure 7.

b) Use a drop of silicone to attach screw head to inside of fascia, which slides over the horizontal bars or mounting frame. See figure 8.

Figure 7

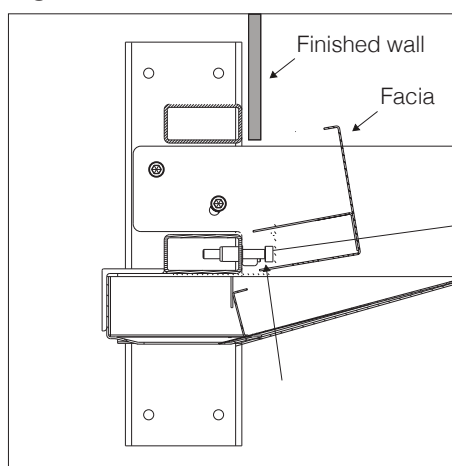
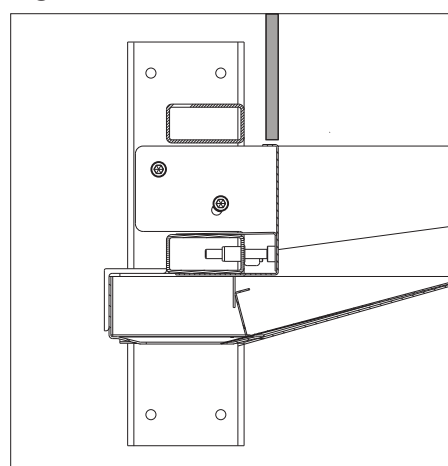


Figure 8



Step 8. a) Carefully place Washplane onto the cantilever brackets. Ensure the saddles line up and sit over the arms. See figure 9.

b) Tighten the grub screws to secure the Washplane. See figure 10.

Figure 9

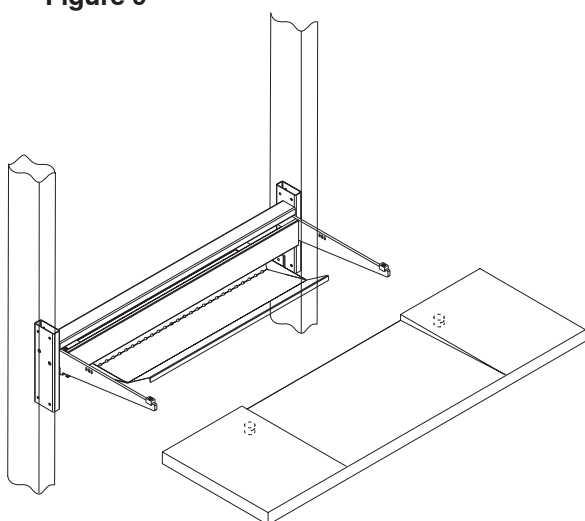
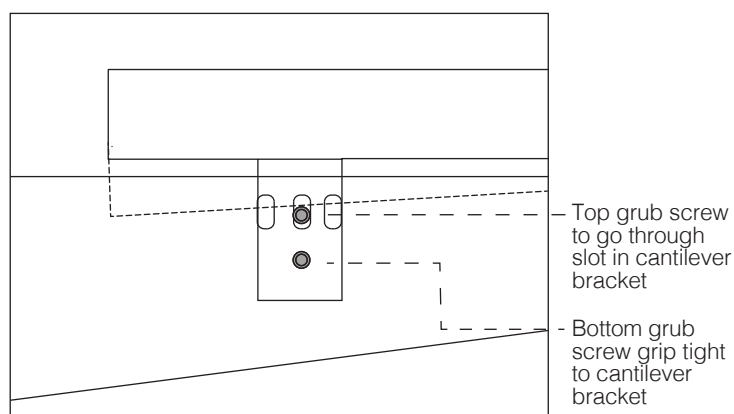


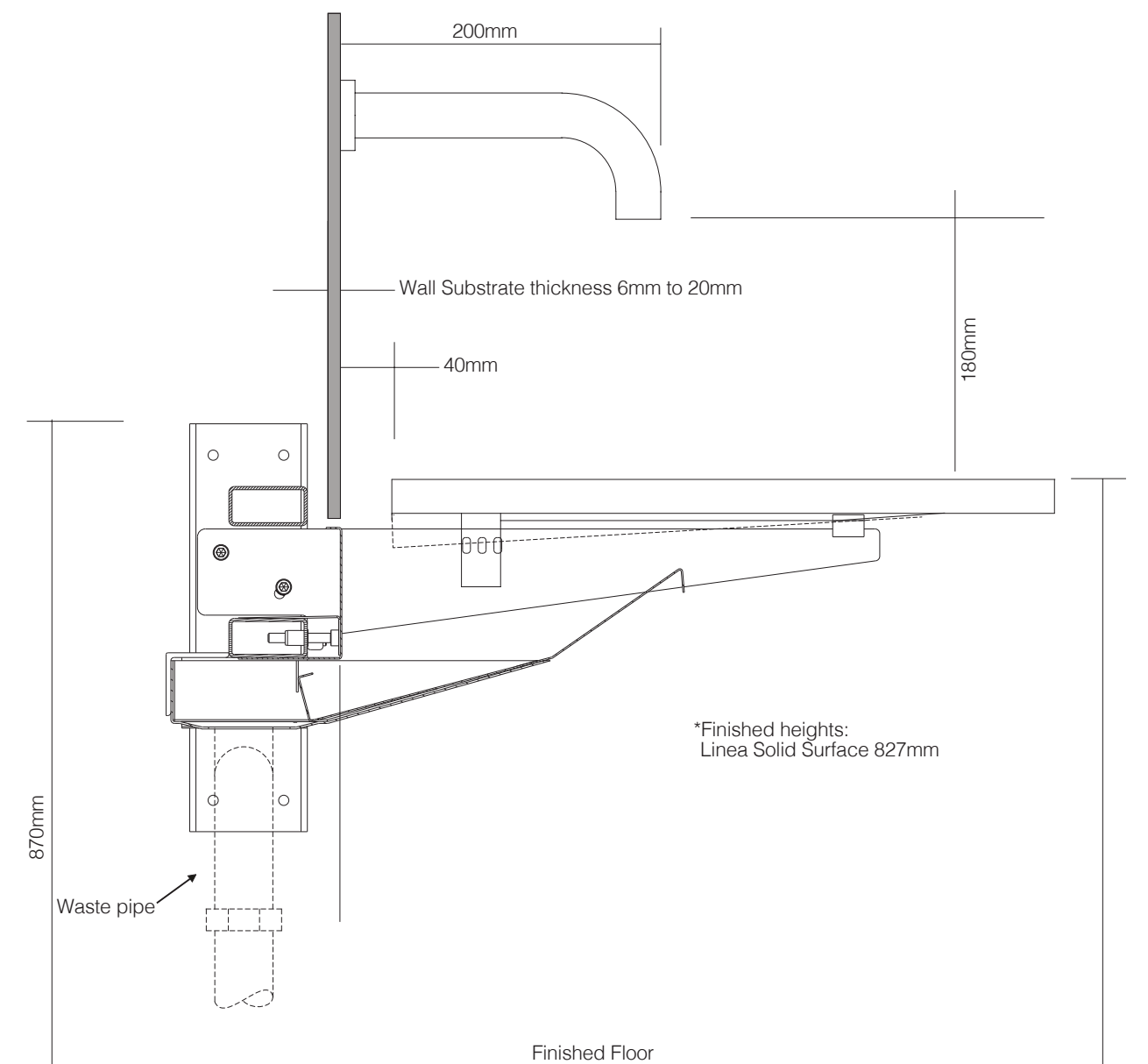
Figure 10



LINEA WASHPLANE 1600 & 2100 DOUBLE

Step 9. Washplane finishing heights

Figure 11



*For disabled toilets 770-800mm as per AS 1428.01-2001
Refer to figure 11 for required finished heights.

***NOTE:**

The mounting frame is designed to fit into a standard 90mm wall cavity. It is to be fixed between nominal 90 x 45mm hardwood studs or equivalent. Do not scale drawing.
The Washplane has been designed to be installed without the use of excessive silicone. Please refrain from using silicone to assemble any components. Do not silicone around hardware and finished wall tiles.



LINEA WASHPLANE 1600 & 2100 DOUBLE

DETAILED CLEANING INSTRUCTIONS

Regular cleaning will assist to keep your solid surface looking fantastic and reduce wear and dirt build up. Spills should be cleaned promptly.

Clean with a mild detergent or soapy water and a soft cloth, sponge or non scratch scourer*.

For stubborn marks start with the non-scratch scourer and a mild detergent, if required use a diluted very mild abrasive cleaner* cleaning in light circular motions.

Intense clean/repair: For extreme marks and light scratches a very Light buff in circular motions using the finest grade sand/glass paper will restore the surface. A heavier grade of sandpaper will scratch the surface which can be removed by then using a light sand paper. Avoid applying excessive pressure or clean/rub the same area for a prolonged time unless repairing a scratch or damage.

*Always test 'non scratch' and 'mild abrasive' products in a non-conspicuous area first to ensure suitability as brands can differ.

Important notes: If the product is created from a combination of Solid surface and another material such as glass or Softskin, it is important that the cleaning instructions for Solid surface are not carried out on the alternate material. Damage may occur which will void your warranty.

To maintain a uniform appearance, you may need to clean the entire surface. Never use sharp products such as steel wool or aggressive, commercial grade / strong cleaners or chemicals (e.g. acetone, trichloroethylene, acids, and caustic soda) as these may damage and scratch the surface. For best results always finish by wiping surface clean of all detergents and dry with a soft clean cloth.