



Posh Solus MK3 Hand Shower

Important Installation Considerations

1. NOTE: Some showers may not provide an effective shower when used with gravity fed heated water systems or where pressures are less than 150kPa at the outlet. Additionally showers with flow rates of less than 9L/min may not allow the following to function correctly:

- _ some instantaneous water heaters
- _ some tempering valves
- _ some thermostatic mixing valves

2. Some shower heads only operate correctly when hot and cold water supplies are both mains pressure and may not be suitable for some instantaneous hot water services.

3. When water pressure is in excess of 500kPa a pressure limiting device is required in accordance with AS/NZS 3500 1.12 recommendation

Operating Temperature:

Hot: Max 80°C*

Cold: Min 5°C

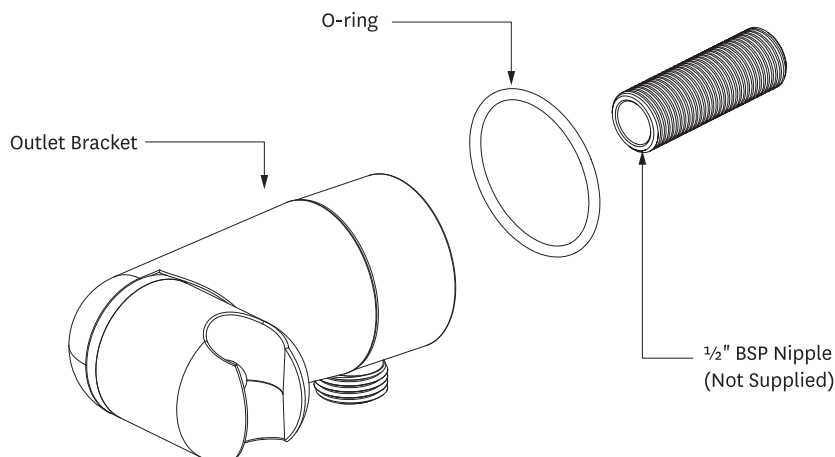
Inlet Connections:

All ½" BSP

IMPORTANT: Please read all of the instructions before installation.

General:

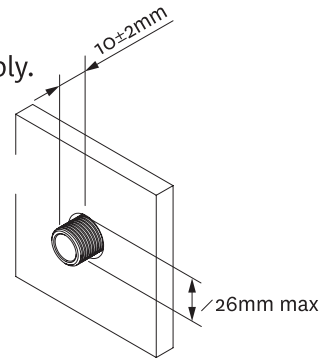
- *It is recommended that this product is installed by a licensed plumber in compliance with all relevant regional regulations.
- After installation all connections must be checked for leaks.
- All outlets used primarily for personal hygiene shall deliver water at a safe temperature as per regional regulations.
- It is the responsibility of the installer to ensure a waterproof seal is achieved between the product and mounting surface. If in doubt about the quality of the seal, remove the product and reinstall using silicone to ensure a seal is achieved.



IMPORTANT: Before you begin, turn off the water supply.

Step 1

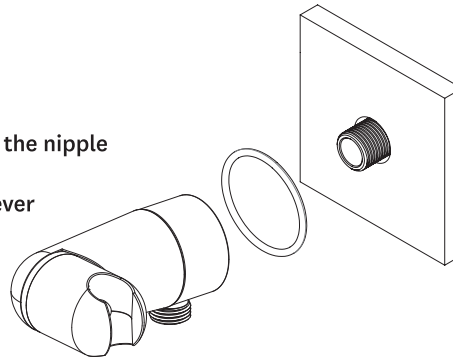
- Wall lining hole should be cut or finished as per the dimension shown in the diagram on the right.
- Cut off the threaded nipple $10\pm 2\text{mm}$ from the wall lining and apply thread seal tape to ensure a good seal.



Step 2

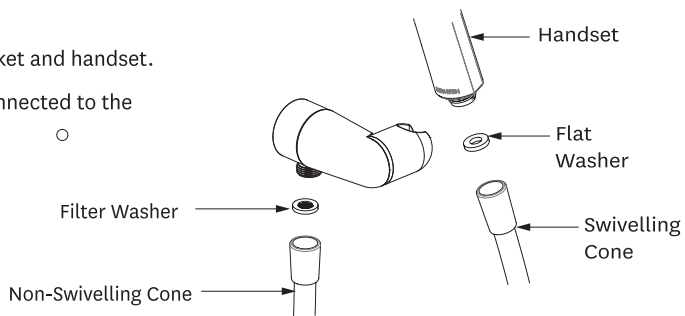
Secure wall outlet bracket to the nipple by screwing until the sealing o-ring is tight against the wall lining.

Important: When screwing the bracket onto the nipple use the base section with hose connector. Do not use the Cover/Handset Holder as a lever as damage may result.



Step 3

- Connect hose to outlet bracket and handset.
- Ensure swivelling cone is connected to the handset.



Care and Cleaning:

Never use abrasives or abrasive cleaning agents to clean this product. Clean regularly with contamination free warm soapy water and a damp soft cloth.

Periodically the filter washer should be removed from the end of the shower hose and cleaned.

