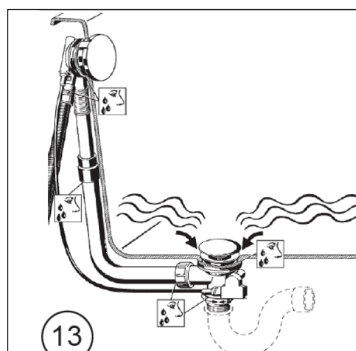
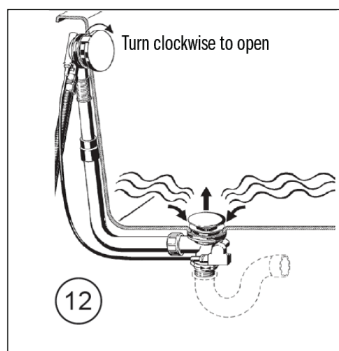
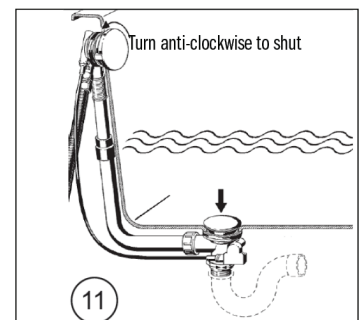
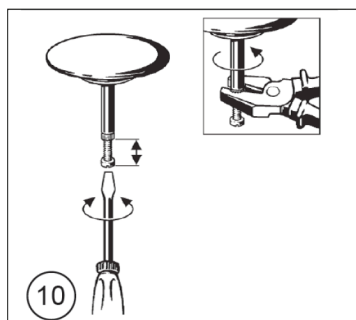
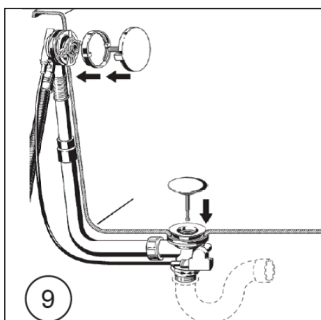
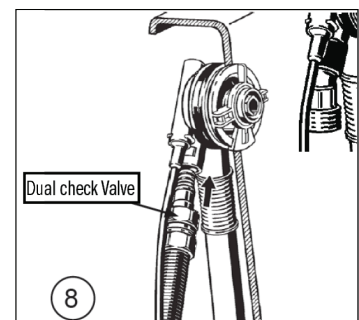
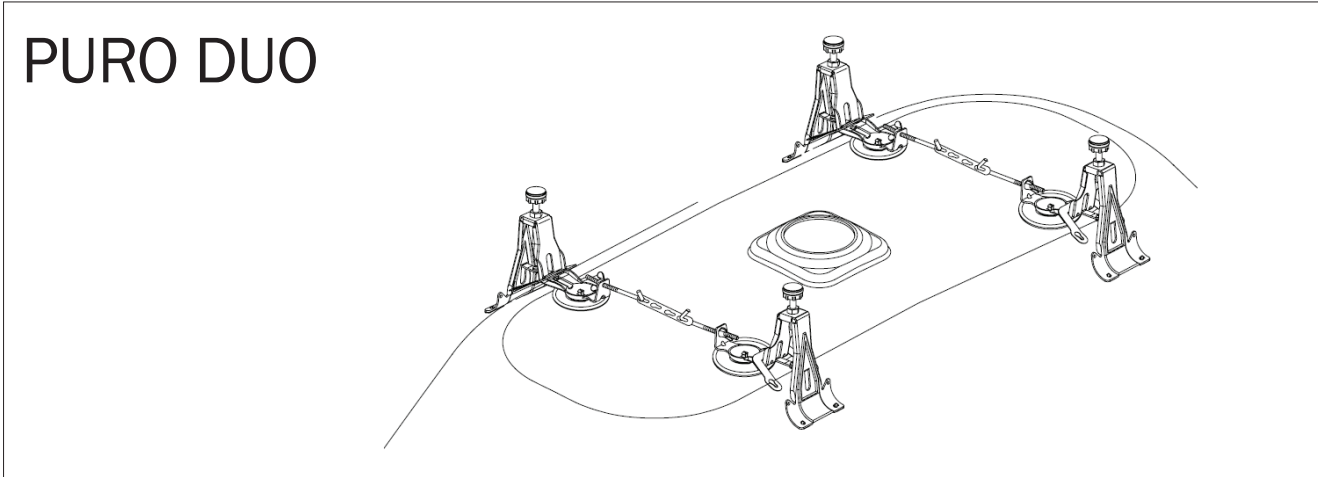


1/2" Dual Check Valve supplied must be installed to inlet connection to meet AS/NZS 3500 requirements - use thread seal tape or equivalent



Installation Note:
Check all water inlet connections under pressure, and all waste connections and seal prior to sheeting and tiling to ensure watertight structure.

KALDEWEI
PURO DUO MULTIFILLER BATH
 LEG SYSTEM INSTALLATION INSTRUCTIONS



<p>1. Place the bath with its packing upside down.</p>	<p>2. Slot the arm straps of the bath cradle (b) onto the lugs (a) on the base of the bath.</p>
--	---

<p>3. Push a suitable length of the tensioning belt onto the retaining bolt (a), engage the threaded hook (c) and tighten by hand using the nut on the base.</p>	<p>4. Turn over bath, align with the help of a spirit level by turning the screw and tighten the locknut (d).</p> <p>Baths might also be mounted with bath anchors (not included in the scope of delivery).</p>
--	---

Plumbers, please ensure a copy of the installation instructions is left with the end user for future reference