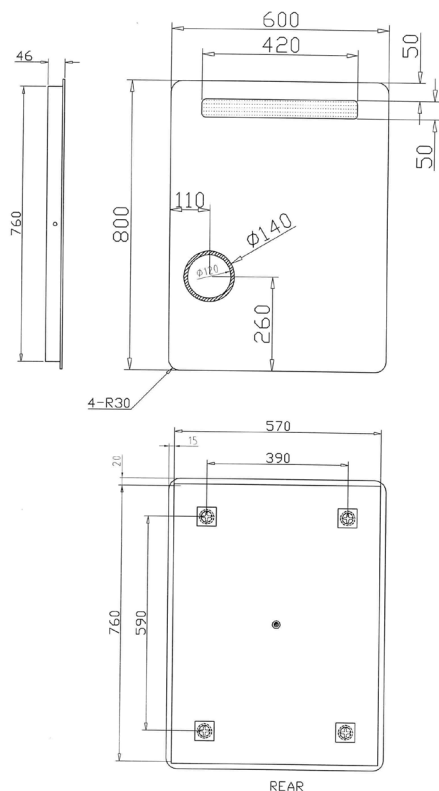


# MILLI

## GLANCE MIRROR



To see the complete Milli range go to [www.reece.com.au/bathrooms](http://www.reece.com.au/bathrooms)

### SPECIFICATIONS

<b>Recommended use</b>	Domestic, hotel and commercial.
<b>Features</b>	Infrared on/off sensor 3x magnifying backlit mirror 5mm glass with PVC safety backing Defogger function
<b>Electrical</b>	240V AC / 50Hz / 30W / IP44

### CLEANING RECOMMENDATIONS

We recommend the use of a soft dry cloth. This product should not be cleaned with abrasive materials or cleaning agents. Damage caused by improper treatment is not covered by the product warranty - refer to warranty conditions on the last page.

**Disclaimer:** Products in this specification manual must by regulation be installed by licensed and registered trades people. The manufacturer/distributor reserves the right to vary specifications or delete models from their range without prior notification. Dimensions are nominal measurements only. Dimensions and set-outs listed are correct at time of publication however the manufacturer/distributor takes no responsibility for printing errors.

Tech Page Version 2

Milli

reece

# MILLI GLANCE MIRROR

## WARNING

This mirror must be installed by a qualified electrician in accordance with AS/NZS 3000 wiring rules. Switch off the electrical supply at the mains before installation and maintenance. A means of disconnection must be incorporated in the fixed wiring in accordance with the wiring rules. Suitable for bathroom and non-bathroom/dry areas. Not suitable for above baths, nor for installation in saunas, steam rooms or shower cubicles. Please consult with a qualified electrician to confirm appropriate compliant installation location.

Do not connect to a plug and socket outlet. Rated IP44 and suitable for indoor use only. Do not fix to damp or conductive surfaces. Site well away from curtains and fabrics. Never cover the mirror. Switch off after use. Do not leave on for prolonged periods. This appliance is not to be used by persons (including children) with reduced physical, sensory or mental capabilities, or lack of experience and knowledge, unless they have been given supervision or instruction. Children should be supervised to ensure that they do not play with the appliance.

## IMPORTANT!

Inspect the product immediately upon receipt for transit damage, missing parts or manufacturing faults. Handle the product with care and protect against knocks to all sides and edges of the glass.

Please ensure a copy of the installation instructions is left with the end user for future reference

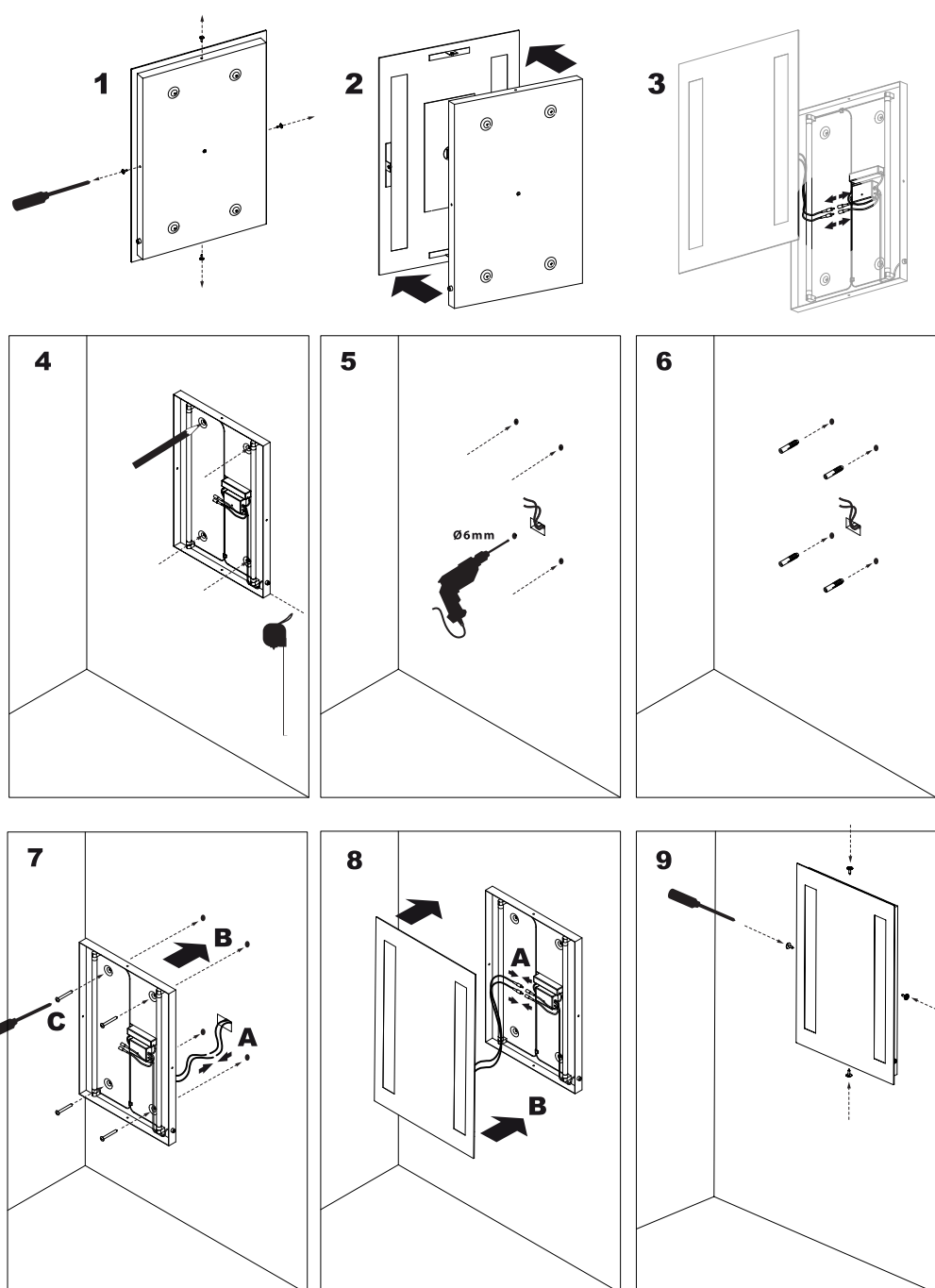
Milli

reece

# MILLI GLANCE MIRROR

## INSTALLATION INSTRUCTIONS

1. Remove screws from mirror casing as indicated.
2. Separate mirror from casing.
3. Disconnect internal wiring.
4. Use mirror casing to mark fixing points.
5. Drill wall as per markings from step 4
6. Insert wall plugs
7. Feed electrical wiring through rear of mirror casing and fix casing to wall
8. Complete all required electrical connections and reattach mirror to casing
9. Re-insert screws and ensure that the mirror is securely fixed to its casing



Please ensure a copy of the installation instructions is left with the end user for future reference

Milli

reecē

# MILLI GLANCE MIRROR

## OPERATION

### Infrared mirror light on /off sensor

Moving your hand in proximity of the sensor turns the mirror light on and off.

Please note, that the mirror must be installed not less than 150mm from the wall or bathroom furniture column, otherwise the sensor will read the object and will not function properly.

### Defogger on off switch

The defogger is switched on and off with a toggle switch, mounted on the side of the mirror, which is illuminated red when the defogger is operating.



Please ensure a copy of the installation instructions is left with the end user for future reference

Milli

reece