



Compressor
Voltage Code : TZ

TFH5531E

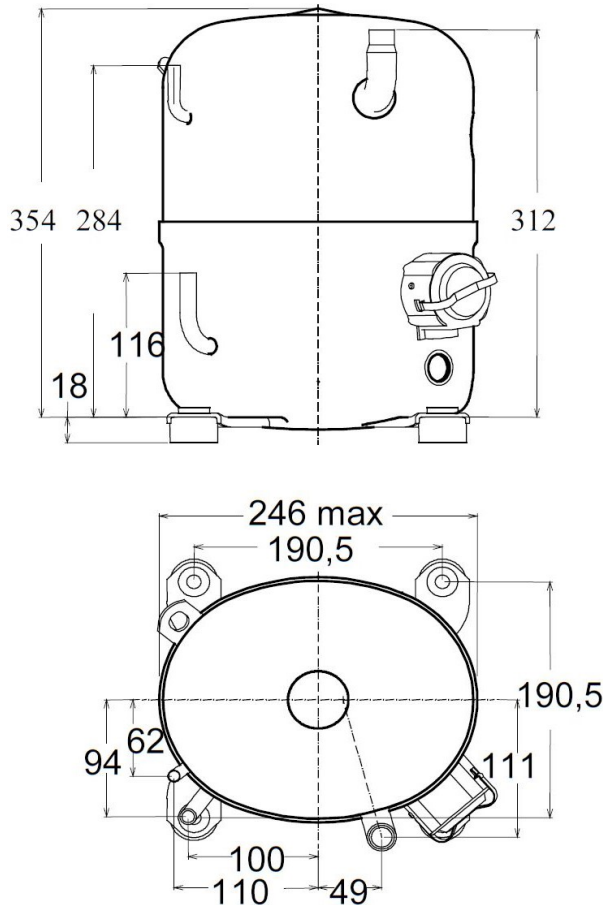
Air Conditioning & Heating (CA)

400V 3~ 50Hz / 440V 3~ 60 Hz

R22

AHC5531ETZ

Conditions	Frequency	Nominal Cooling Capacity		Sound Power ISO3745 / ISO 3743-1
		Watts	BTU/h	
EN12900 / R22	50 Hz / 60 Hz	6990 / 8230	23834 / 28063	73 dBA



Displacement (cc)	56.65
Net Weight (Kg)	31.5
Oil Quantity (cc)	1330.0
Oil Type	Mineral
Expansion Device	Capillary_Tube/Expansion_Valve
Cooling	Fan
Main Winding (Ohm)	6.04
Current	
RLA (A)	4.8 4.8
MCC (A)	6.3 6.6
LRA (A)	26.5 30.5
Electrical Equipment	TRI
Overload	Interne
Refrigerating connection for OD	
Suction Tube	19 (3/4")
Discharge Tube	9.5 (3/8")
Process Tube	6.35 (1/4")

* EN12900 : T°Cond. 50.0°C / T°Evap. 5.0°C / T°Superheat. 10.0°C
T°Subcooling. 0.0K

Certificates :



Note : Tecumseh reserves the right to change information contained in this document without notification.



Tecumseh

TFH5531E	Tension TZ : 400V 3~ 50Hz / 440V 3~ 60 Hz
-----------------	--

Les performances sont données dans les conditions EN12900 :	Surchauffe :	10.0 K
Condition Dew	Sous refroidissement :	0.0 K
The performance data are in EN12900 conditions :	Superheat :	10.0 K
Dew Condition	Subcooling :	0.0 K

50 Hz R22											
											N°335WL-T
4 T condensation	5 T évaporation	(°C)	-25	-20	-15	-10	-5	0	5	10	15
40	1 P frigorifique	(Watt)				4451	5585	6872	8313	9907	11654
	2 P absorbée	(W)				2005	2177	2331	2466	2583	2682
	3 I absorbée	(A)				3.73	3.88	4.03	4.20	4.37	4.55
50	1 P frigorifique	(Watt)					4593	5724	6990	8390	9925
	2 P absorbée	(W)					2297	2516	2712	2883	3031
	3 I absorbée	(A)					4.01	4.27	4.54	4.80	5.07
60	1 P frigorifique	(Watt)						4613	5714	6931	8263
	2 P absorbée	(W)						2706	2959	3184	3379
	3 I absorbée	(A)						4.51	4.87	5.23	5.58

60 Hz R22											
											N°335WL-T
4 T condensation	5 T évaporation	(°C)	-25	-20	-15	-10	-5	0	5	10	15
40	1 P frigorifique	(Watt)				5342	6662	8144	9788	11593	13561
	2 P absorbée	(W)				2272	2582	2863	3117	3341	3538
	3 I absorbée	(A)				3.48	3.83	4.16	4.48	4.79	5.08
50	1 P frigorifique	(Watt)					5480	6784	8230	9818	11548
	2 P absorbée	(W)					2725	3091	3427	3733	4008
	3 I absorbée	(A)					3.96	4.41	4.84	5.27	5.67
60	1 P frigorifique	(Watt)						5468	6728	8110	9615
	2 P absorbée	(W)						3324	3740	4124	4475
	3 I absorbée	(A)						4.65	5.20	5.74	6.26

1 = cooling capacity 2 = power input 3 = current 4 = condensing temperature 5 = evaporating temperature

Nota : Tecumseh se réserve le droit de modifier les informations contenues dans ce document sans préavis.
Note : Tecumseh reserves the right to change information contained in this document without notification.

© 2020 Tecumseh Products Company
All rights reserved