

OMVIVO^o

Specification Sheet

Neo Wall Hung Vanity



Neo combines function with exclusive, uncomplicated design. The needs and desires of the modern family strongly influenced the creation of Neo, resulting in a contemporary, highly adaptable range of basins with superior quality furniture.

SPECIFICATIONS		VARIATIONS				
		MINI	700/12LT	1000	1400	
Recommended Use	Domestic, Hotel & Commercial					
Material	Exterior: Timber laminate on HMR board Thermolaminate on HMR board					
Colour	For more information please refer to the Colour, Material and Finishes page					
Fixing	Bolted/screwed to wall by licensed trades person. Supplied with easy to install brackets. Installer must determine appropriate wall fixing					
Basin	Included					
Tap Hole Availability	0th or 1th					
Drawers	Hettich soft close drawers					
Micro Trap	Supplied with 40mm PVC micro-trap					
		Width (mm)	470	700	1000	1400
		Depth (mm)	450	450	450	450
		Height (mm)	415	655/685	655	655
		Number of Drawers	n/a	1	1	2

Dimensions are nominal measurements only.

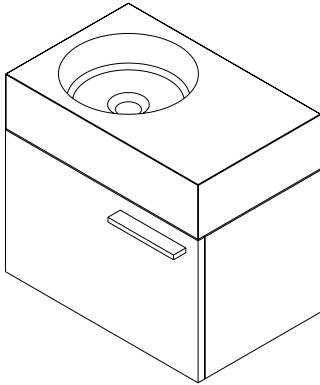
Disclaimer: Products in this specification manual must by regulation be installed by licensed and registered trade people. The manufacturer/distributor reserves the right to vary specifications or delete models from their range without prior notification. Dimensions are nominal measurements only. Dimensions and set-outs listed are correct at time of publication however the manufacturer/distributor takes no responsibility for printing errors.

Published 02/10/2020

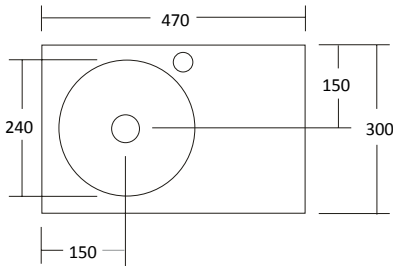
NEO WALL HUNG VANITY UNIT

LINE DRAWINGS

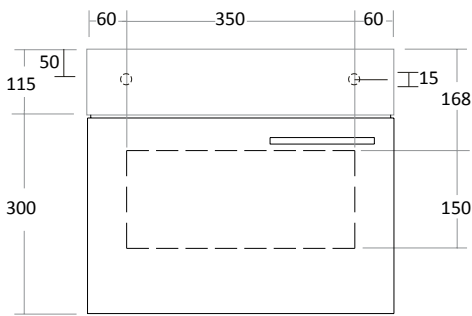
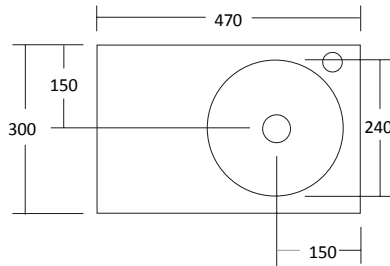
Mini Cabinet



Left Hand Bowl, Right Tap Hole



Right Hand Bowl, Right Tap Hole

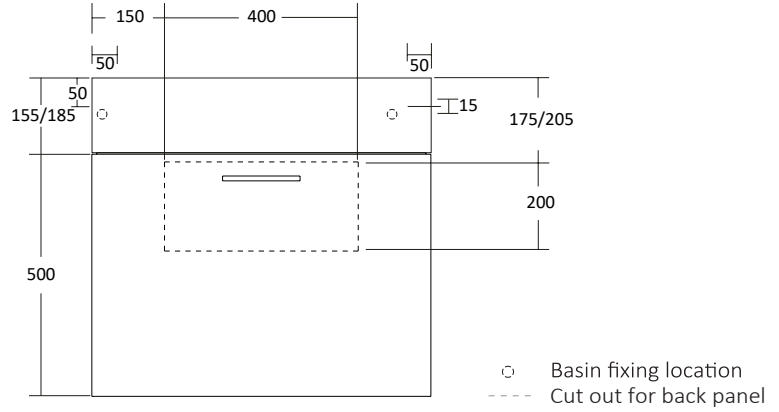
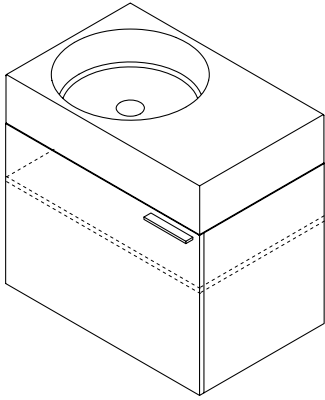


- Basin fixing location
- Cut out for back panel

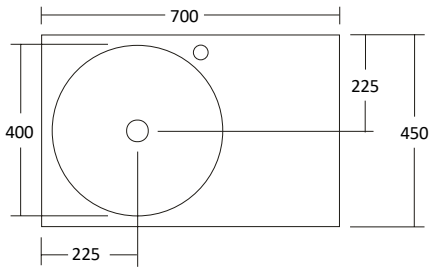
NEO WALL HUNG VANITY UNIT

LINE DRAWINGS

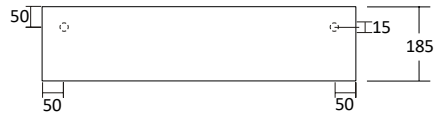
700 Cabinet



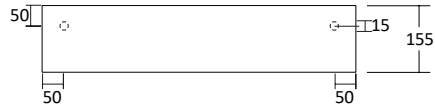
Left Hand Bowl, Right Tap Hole



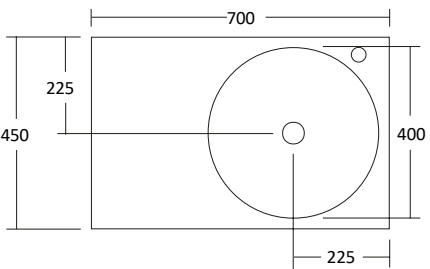
Neo 700 12 Litre Basin



Standard Neo 700 Basin



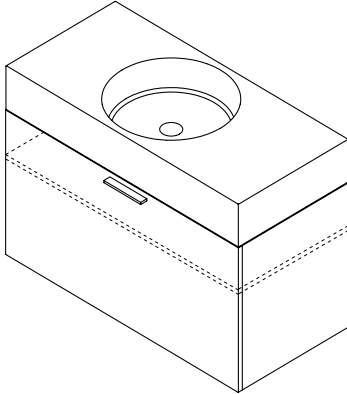
Right Hand Bowl, Right Tap Hole



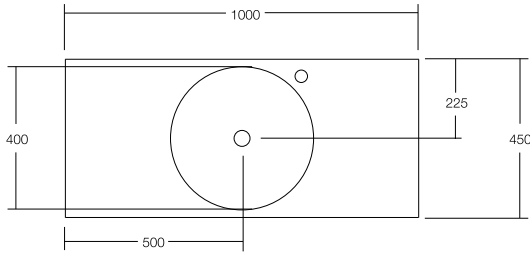
NEO WALL HUNG VANITY UNIT

LINE DRAWINGS

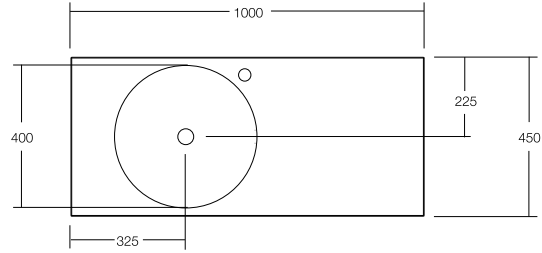
1000 Cabinet



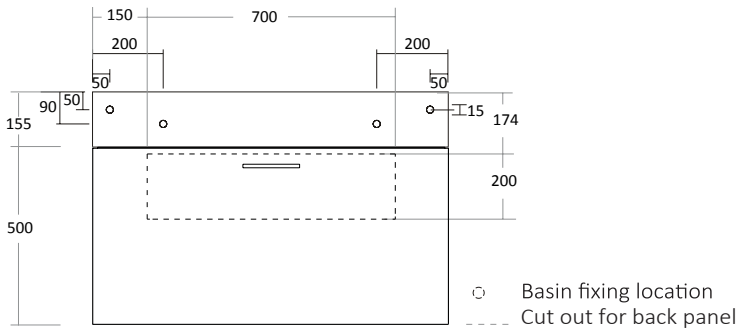
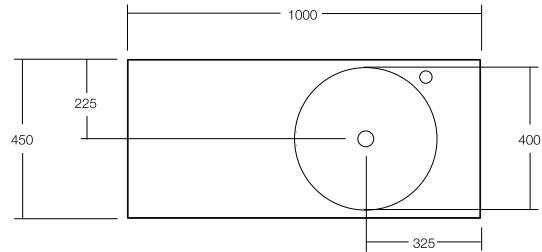
Centred Bowl, Right Tap Hole



Left Hand Bowl, Right Tap Hole



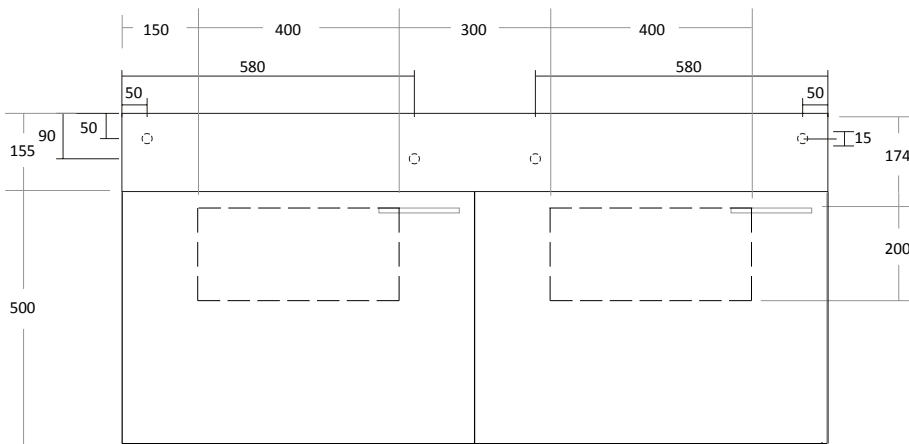
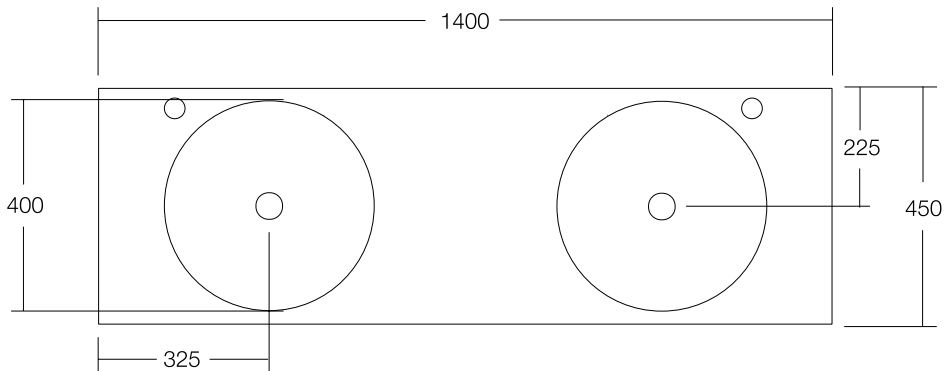
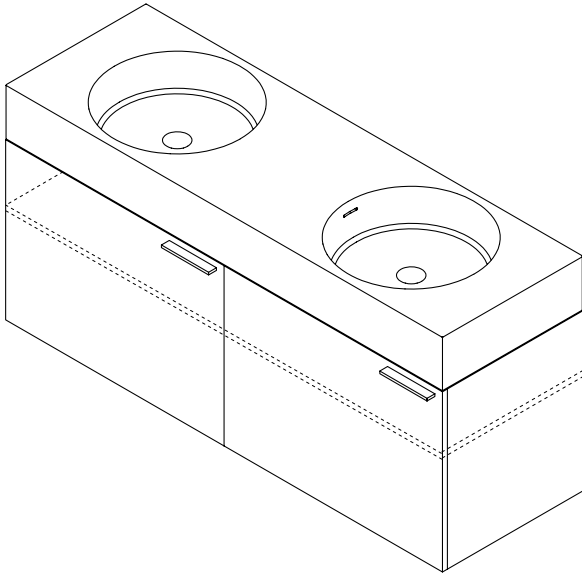
Right Hand Bowl, Right Tap Hole



NEO WALL HUNG VANITY UNIT

LINE DRAWINGS

1400 Double Cabinet



- Basin fixing location
- Cut out for back panel



NEO WALL HUNG VANITY UNIT

DETAILED CLEANING INSTRUCTIONS

Regular cleaning will assist to keep your solid surface looking fantastic and reduce wear and dirt build up. Spills should be cleaned promptly.

Clean with mild detergent or soapy water and a soft cloth, sponge or non-scratch scourer*.

For stubborn marks start with the non-scratch scourer and a mild detergent, if required use a diluted very mild abrasive cleaner* cleaning in light circular motions.

Intense clean/repair: For extreme marks and light scratches a very Light buff in circular motions using the finest grade sand/glass paper will restore the surface. A heavier grade of sandpaper will scratch the surface which can be removed by then using a light sand paper. Avoid applying excessive pressure or clean/rub the same area for a prolonged time unless repairing a scratch or damage.

*Always test 'non scratch' and 'mild abrasive' products in a non-conspicuous area first to ensure suitability as brands can differ.

Important notes: If the product is created from a combination of Solid surface and another material such as glass or Softskin, it is important that the cleaning instructions for Solid surface are not carried out on the alternate material. Damage may occur which will void your warranty.

To maintain a uniform appearance, you may need to clean the entire surface. Never use sharp products such as steel wool or aggressive, commercial grade / strong cleaners or chemicals (e.g. acetone, trichloroethylene, acids, and caustic soda) as these may damage and scratch the surface. For best results always finish by wiping surface clean of all detergents and dry with a soft clean cloth.

Your furniture should be cleaned with a mild, non-acidic, non-abrasive detergent and soft cloth. Finish by cleaning off detergents with a soft slightly damp cloth and towel dry. Always clean spills and water immediately. It is important that the cleaning instructions for your solid surface basin are not carried out on the vanity as this will scratch the finish.

Damage caused by any improper treatment is not covered by the product warranty – refer to Warranty Conditions.