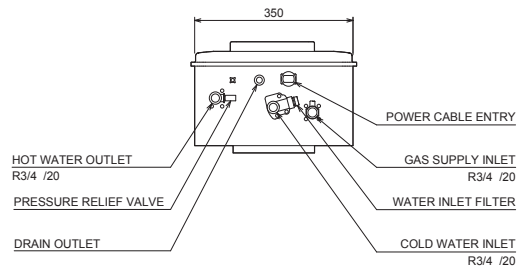
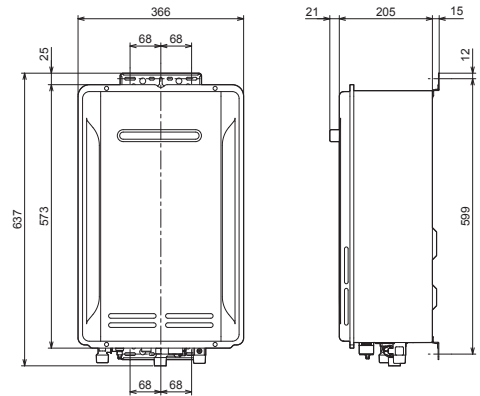


# Hot Water Unit



## SPECIFICATIONS

**Summary** Developed to reduce wasted energy and lower the exhaust temperature, the Thermann C7 Gas Continuous Flow hot water unit pre-heats the water using heat from the gas exhaust, meaning you'll use less energy.

<b>Reece Product code and descriptions</b>	9506815 Thermann C7 26L C/Flow 50Deg N/G 9506816 Thermann C7 26L C/Flow 60Deg N/G 9506817 Thermann C7 26L C/Flow 50Deg LPG 9506818 Thermann C7 26L C/Flow 60Deg LPG
--	--

<b>Capacity</b>	26 ltr/min
<b>Finish</b>	Gunmetal Grey
<b>Height</b>	573 mm
<b>Width</b>	366 mm
<b>Depth</b>	205 mm
<b>Website</b>	www.thermann.com.au

## WARRANTY

**Product Warranty** 12 Years Heat Exchanger  
3 Years Parts and Labour



Heat Exchanger



Parts and Labour

**Disclaimer:** Products in this specification manual must by regulation be installed by licensed and registered trade people. The manufacturer/distributor reserves the right to vary specifications or delete models from their range without prior notification. Dimensions are nominal measurements only. Dimensions and set-outs listed are correct at time of publication however the manufacturer/distributor takes no responsibility for printing errors.

Tech Page Version 1

**Don't risk it, use a licensed plumber.™**



## Hot Water Unit

C7 Specifications	9506815	9506816	9506817	9506818
Gas Type	Natural Gas	Natural Gas	LPG	LPG
Temperature Setting	50 Deg C	60 Deg C	50 Deg C	60 Deg C
Capacity (at 25 deg C rise)	26 ltr/min	26 ltr/min	26 ltr/min	26 ltr/min
Capacity (at 40 deg C rise)	16.25 ltr/min	16.25 ltr/min	16.25 ltr/min	16.25 ltr/min
Gas Inlet Connection male thread	R3/4" (20mm)	R3/4" (20mm)	R3/4" (20mm)	R3/4" (20mm)
Gas Consumption	173 MJ/h	173 MJ/h	173 MJ/h	173 MJ/h
Minimum Flow Rate	2.7 ltr/min	2.7 ltr/min	2.7 ltr/min	2.7 ltr/min
Minimum Water Pressure	115 kPa	115 kPa	115 kPa	115 kPa
Maximum Water Pressure	1200 kPa	1200 kPa	1200 kPa	1200 kPa
Cold Water Connection male thread	R3/4" (20mm)	R3/4" (20mm)	R3/4" (20mm)	R3/4" (20mm)
Hot Water Connection male thread	R3/4" (20mm)	R3/4" (20mm)	R3/4" (20mm)	R3/4" (20mm)
Condensate Connection male thread	R1/2" (15mm)	R1/2" (15mm)	R1/2" (15mm)	R1/2" (15mm)
Relief Valve Setting	1400 kPa	1400 kPa	1400 kPa	1400 kPa
Star Rating	7.3 Star	7.0 Star	7.3 Star	7.0 Star
Height	573 mm	573 mm	573 mm	573 mm
Width	366 mm	366 mm	366 mm	366 mm
Depth	205 mm	205 mm	205 mm	205 mm
Weight (Dry)	20.5 kg	20.5 kg	20.5 kg	20.5 kg

C7 Optional Accessories	Reece Code
6*/C7 Continuous Flow Universal Controller	9505082



Universal Controller  
(optional)

**Disclaimer:** Products in this specification manual must by regulation be installed by licensed and registered trade people. The manufacturer/distributor reserves the right to vary specifications or delete models from their range without prior notification. Dimensions are nominal measurements only. Dimensions and set-outs listed are correct at time of publication however the manufacturer/distributor takes no responsibility for printing errors.

Tech Page Version 1

**Don't risk it, use a licensed plumber.™**